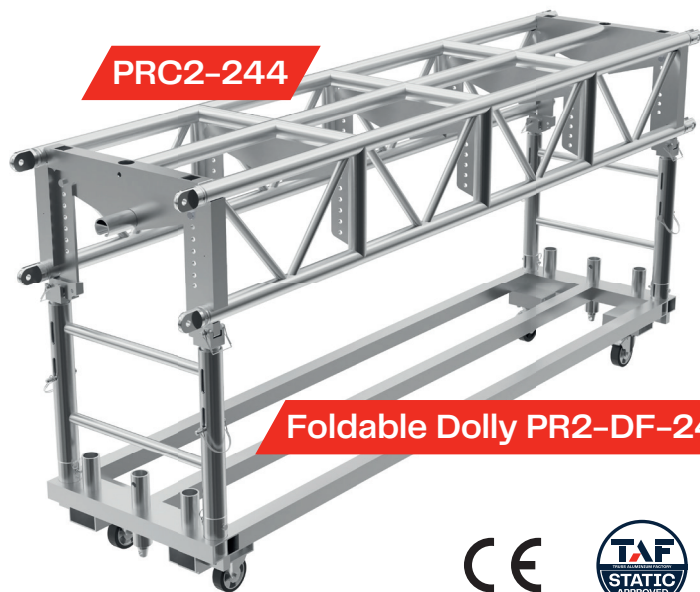
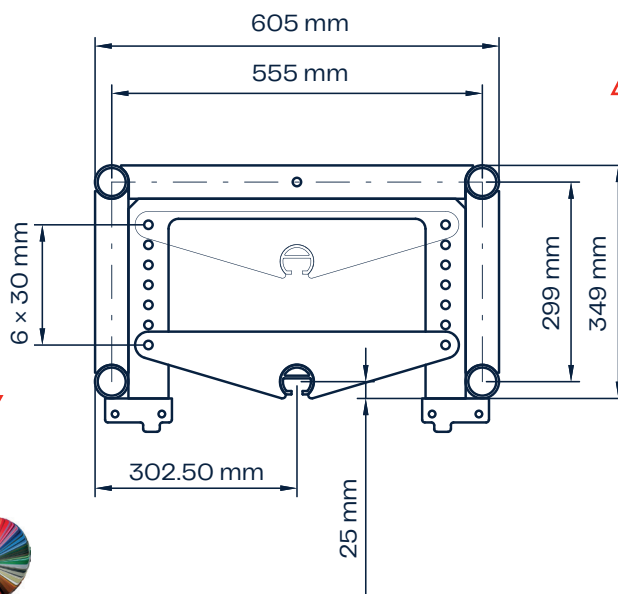


PRC2

PRC2-244

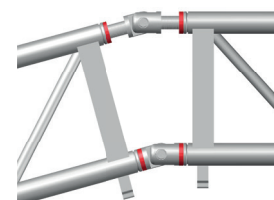
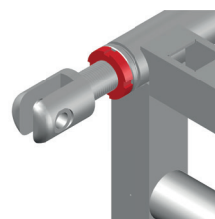
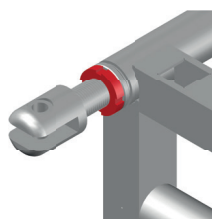


Foldable Dolly PR2-DF-244



Fork Connectors

Specifications	
TUBES	50 × 4 mm
BRACES	25 × 3 mm
PLATES	8 mm
ALLOY	EN AW-6082 T6



Loading table								
	6 m	8 m	10 m	12 m	14 m	16 m	18 m	20 m
UDL [kg/m]	566	310	192	128	89	64	47	35
Deflection [mm]	26	47	74	107	146	192	245	304
CPL [kg]	1000	1000	961	768	625	513	422	345
Deflection [mm]	13	31	61	89	122	163	211	266
TPL [kg]	1000	931	721	576	468	385	316	259
Deflection [mm]	21	46	70	96	125	153	179	201
QPL [kg]	843	621	480	384	312	256	211	173
Deflection [mm]	25	43	65	90	116	142	166	187
FPL [kg]	682	517	400	320	260	214	176	144
Deflection [mm]	25	46	69	95	123	151	176	198

Contact us for more information or a price quote at sales@taf.cz
 Truss Aluminium Factory | Czech Republic | www.taf.cz

