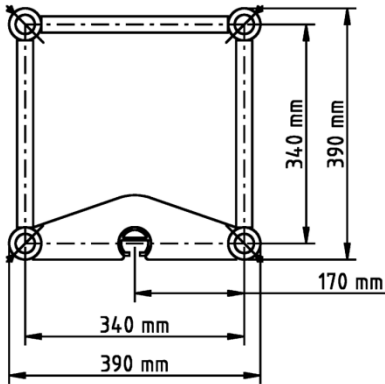
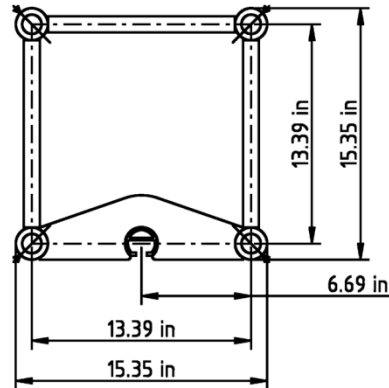


SIZE IN MILLIMETERS



SIZE IN INCHES



SPECIFICATIONS

Tubes	50 x 4 mm (1.97 x 0.16 in)
Braces	25 x 3 mm (0.98 x 0.12 in)
Alloy	EN AW-6082 T6

LOADING TABLES – COMPLETE TRUSS

	4 m	5 m	6 m	7 m	8 m	10 m	12 m	14 m	16 m	18 m	20 m
UDL [kg/m]	1449	939	647	471	357	223	150	106	77	57	43
Deflection [mm]	10	16	23	32	42	65	94	128	169	214	266
CPL [kg]	2713	2311	1941	1649	1427	1113	898	739	617	517	435
Deflection [mm]	8	13	19	26	34	53	77	107	141	182	229
TPL [kg]	1752	1523	1346	1205	1071	835	673	555	462	388	326
Deflection [mm]	8	14	22	31	41	63	87	114	142	170	196
QPL [kg]	1168	1015	897	803	714	556	449	370	308	259	217
Deflection [mm]	8	13	20	29	38	58	81	106	132	158	182
FPL [kg]	930	813	722	648	588	464	374	308	257	216	181
Deflection [mm]	8	14	21	30	40	62	86	113	140	168	193
	13.12 ft	16.40 ft	19.69 ft	22.97 ft	26.25 ft	32.81 ft	39.37 ft	45.93 ft	52.49 ft	59.06 ft	65.62 ft
UDL [lbs/ft]	973.68	630.98	434.76	316.50	239.89	149.85	100.80	71.23	51.74	38.30	28.89
Deflection [in]	0.39	0.63	0.91	1.26	1.65	2.56	3.70	5.04	6.65	8.43	10.47
CPL [lbs]	5981.14	5094.88	4279.17	3635.42	3146.00	2453.74	1979.75	1629.22	1360.25	1139.79	959.01
Deflection [in]	0.31	0.51	0.75	1.02	1.34	2.09	3.03	4.21	5.55	7.17	9.02
TPL [lbs]	3862.50	3358.64	2967.42	2656.57	2361.15	1840.86	1483.71	1223.57	1018.54	855.39	718.71
Deflection [in]	0.31	0.55	0.87	1.22	1.61	2.48	3.43	4.49	5.59	6.69	7.72
QPL [lbs]	2575.00	2237.69	1977.55	1770.31	1574.10	1225.77	989.88	815.71	679.02	571.00	478.40
Deflection [in]	0.31	0.51	0.79	1.14	1.50	2.28	3.19	4.17	5.20	6.22	7.17
FPL [lbs]	2050.30	1792.36	1591.74	1428.60	1296.32	1022.94	824.53	679.02	566.59	476.20	399.04
Deflection [in]	0.31	0.55	0.83	1.18	1.57	2.44	3.39	4.45	5.51	6.61	7.60

Loading tables are valid for static loads and spans with two supporting points. Spans must be supported at each end. Contact structural engineer if there are more supporting points applied or dynamic and wind loads involved.

High values of distributed loads are idealized. Loads must be applied to knot points!

* The truss may be loaded only at the points of vertical diagonals – intersections load only. Only vertical loads – the force vector must always aim directly to the ground.

LOADING TABLES – CENTRAL SPECIAL TUBE

	4 m	5 m	6 m	7 m	8 m	10 m	12 m	14 m	16 m	18 m	20 m
UDL [kg/m]	800	800	647	471	357	223	150	106	77	57	43
Deflection [mm]	6	14	23	32	42	65	94	128	169	214	266
CPL [kg]	800	800	800	800	800	800	800	739	617	517	435
Deflection [mm]	2	5	8	13	20	40	70	107	141	182	229
TPL [kg]	800	800	800	800	800	800	673	555	462	388	326
Deflection [mm]	4	8	13	21	31	60	87	114	142	170	196
QPL [kg]	800	800	800	800	714	556	449	370	308	259	217
Deflection [mm]	5	10	18	29	38	58	81	106	132	158	182
FPL [kg]	800	800	722	648	588	464	374	308	257	216	181
Deflection [mm]	7	13	21	30	40	62	86	113	140	168	193
	13.12 ft	16.40 ft	19.69 ft	22.97 ft	26.25 ft	32.81 ft	39.37 ft	45.93 ft	52.49 ft	59.06 ft	65.62 ft
UDL [lbs/ft]	537.58	537.58	434.76	316.50	239.89	149.85	100.80	71.23	51.74	38.30	28.89
Deflection [in]	0.24	0.55	0.91	1.26	1.65	2.56	3.70	5.04	6.65	8.43	10.47
CPL [lbs]	1763.70	1763.70	1763.70	1763.70	1763.70	1763.70	1763.70	1629.22	1360.25	1139.79	959.01
Deflection [in]	0.08	0.20	0.31	0.51	0.79	1.57	2.76	4.21	5.55	7.17	9.02
TPL [lbs]	1763.70	1763.70	1763.70	1763.70	1763.70	1763.70	1483.71	1223.57	1018.54	855.39	718.71
Deflection [in]	0.16	0.31	0.51	0.83	1.12	2.36	3.43	4.49	5.59	6.69	7.72
QPL [lbs]	1763.70	1763.70	1763.70	1763.70	1574.10	1225.77	989.88	815.71	679.02	571.00	478.40
Deflection [in]	0.20	0.39	0.71	1.14	1.50	2.28	3.19	4.17	5.20	6.22	7.17
FPL [lbs]	1763.70	1763.70	1591.74	1428.60	1293.32	1022.94	824.53	679.02	566.59	4762.20	399.04
Deflection [in]	0.28	0.51	0.83	1.18	1.57	2.44	3.39	4.45	5.51	6.61	7.60