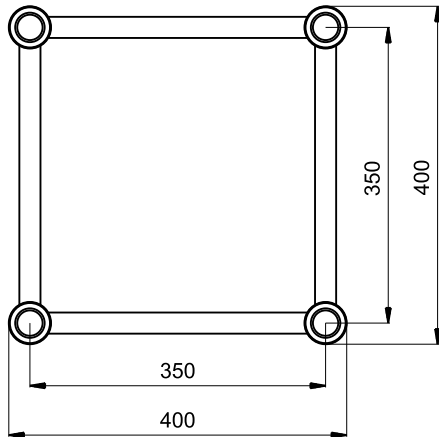
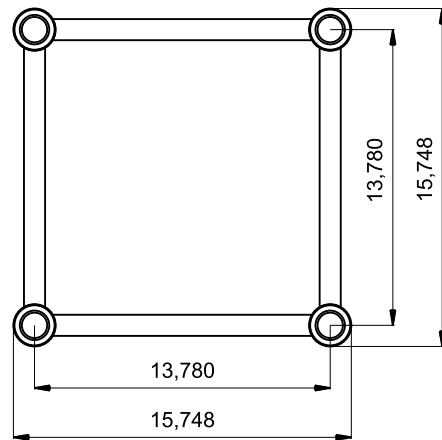


SIZE IN MILLIMETRS



SIZE IN INCHES



SPECIFICATIONS TT44

TUBES	50x4mm (2 x 0.16inch)
BRACES	25x3mm (1 x 0.12inch)
ALLOY	EN-AW 6082 T6



STRAIGHT SEGMENT LENGTHS TT44

CODE	LENGTH		WEIGHT	
TT44-50	0.5m	1.64ft	7.0kg	15.43lbs
TT44-100	1m	3.28ft	11.9kg	26.24lbs
TT44-150	1.5m	4.92ft	16.3kg	35.94lbs
TT44-200	2m	6.56ft	20.6kg	45.42lbs
TT44-250	2.5m	8.20ft	25.0kg	55.12lbs
TT44-300	3m	9.84ft	30.0kg	66.14lbs
TT44-350	3.5m	11.48ft	34.0kg	74.96lbs
TT44-400	4m	13.12ft	38.6kg	85.10lbs
TT44-450	4.5m	14.76ft	42.6kg	93.92lbs
TT44-500	5m	16.40ft	47.5kg	104.72lbs

LOADING TABLES TT44

	2m	4m	5m	6m	8m	10m	12m	14m	16m	18m	20m
Distrib. Load [kg/m]	2126	1057	843	700	390	245	166	119	88	66	50
Deflection [mm]	0.9	7.2	14.1	24.3	43.5	68.1	98.3	134.2	175.8	221.1	267.2
Point load [kg]	4253	3197	2547	2111	1561	1226	999	833	705	596	496
Deflection [mm]	1.4	8.7	13.6	19.6	35.1	55.2	80.2	110.1	145.4	184.6	225.5
	6.56ft	13.12ft	16.40ft	19.68ft	26.24ft	32.81ft	37.37ft	45.93ft	52.49ft	59.05ft	65.62ft
Distrib. Load [lb/ft]	1428.6	710.3	566.5	470.4	262.1	164.6	111.5	80.0	59.1	44.3	33.6
Deflection [inch]	0.03	0.3	0.6	1.0	1.7	2.7	3.9	5.3	6.9	8.7	10.6
Point load [lb]	9376.3	7048.2	5615.2	4654.0	3441.4	2702.9	2202.4	1836.5	1554.3	1314.0	1093.5
Deflection [inch]	0.1	0.3	0.5	0.7	1.4	2.2	3.2	4.3	5.7	7.3	8.9