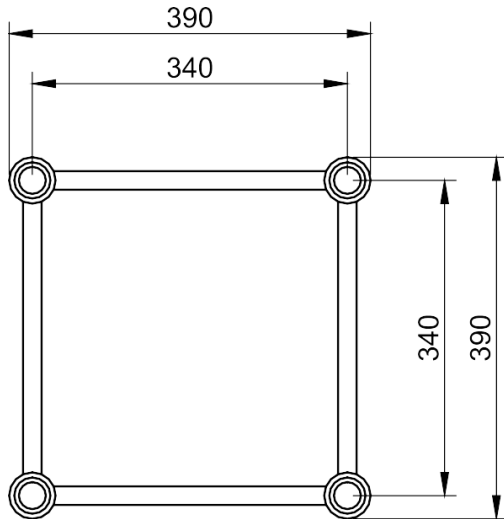
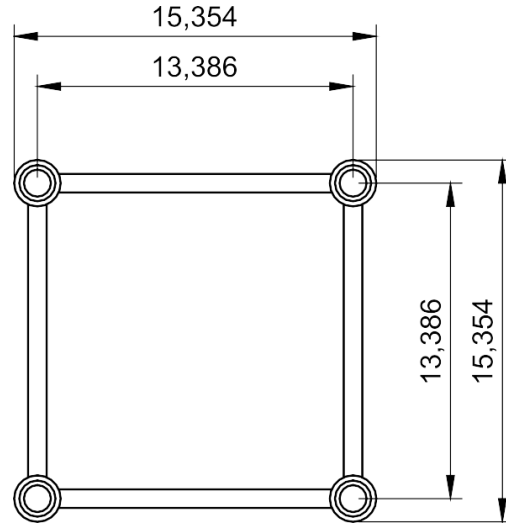


SIZE IN MILLIMETRES



SIZE IN INCHES



SPECIFICATIONS

TUBES	50 mm x 2 mm (1.97 in x 0.08 in)
BRACES	20 mm x 2 mm (0.79 in x 0.08 in)
ALLOY	EN AW-6082 T6



STRAIGHT SEGMENT LENGTHS

CODE	LENGTH		WEIGHT	
PT44-50	0.50 m	1.64 ft	4.7 kg	10.3 lbs
PT44-100	1 m	3.28 ft	7.3 kg	16.0 lbs
PT44-150	1.5 m	4.92 ft	9.6 kg	21.1 lbs
PT44-200	2 m	6.56 ft	11.9 kg	26.1 lbs
PT44-250	2.5 m	8.20 ft	14.4 kg	31.7 lbs
PT44-300	3 m	9.84 ft	16.7 kg	36.8 lbs
PT44-350	3.5 m	11.48 ft	19.1 kg	42.15 lbs
PT44-400	4 m	13.12 ft	21.6 kg	47.6 lbs
PT44-450	4.5 m	14.76 ft	24.0 kg	52.99 lbs
PT44-500	5 m	16.40 ft	26.5 kg	58.42 lbs

LOADING TABLES

	2 m	4 m	6 m	8 m	10 m	12 m
Distrib. load [kg/m]	1045	519	344	204	130	89
Deflection [mm]	0.9	7.2	24.3	46.1	73.1	106.0
Point load [kg]	2090	1670	1090	814	649	531
Deflection [mm]	1.4	9.2	20.6	37.2	59.3	86.4
	6.56 ft	13.12 ft	19.69 ft	26.24 ft	32.81 ft	39.37 ft
Distrib. load [lbs/ft]	702.2	348.8	231.2	137.1	87.4	59.8
Deflection [in]	0.04	0.3	1.0	1.8	2.9	4.2
Point load [lbs]	4,607.7	3,681.7	2,403.0	1,794.6	1,430.8	1,170.7
Deflection [in]	0.1	0.4	0.8	1.5	2.3	3.4