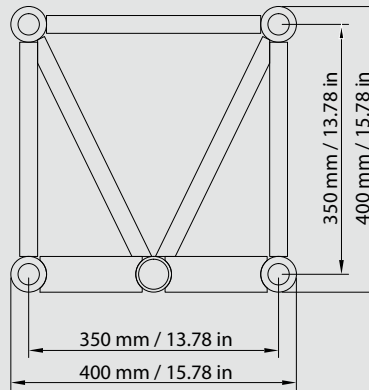


SPECIFICATIONS

Tubes	50 x 4 mm (1.97 x 0.16 in)
Braces	25 x 3 mm (0.98 x 0.12 in)
Alloy	EN AW-6082 T6



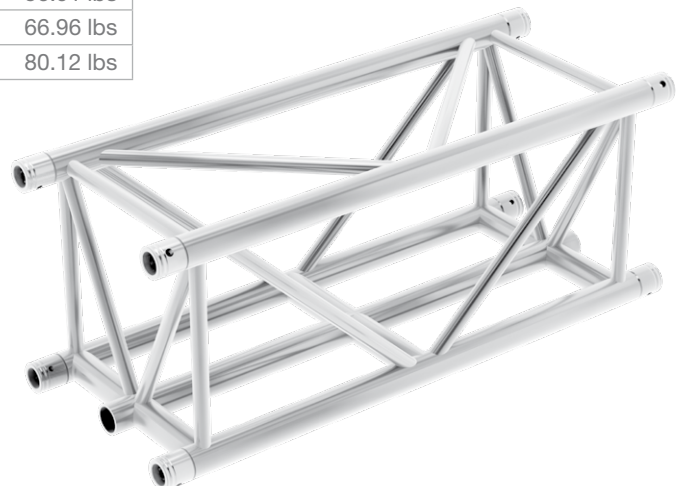
LOADING TABLES - COMPLETE TRUSS

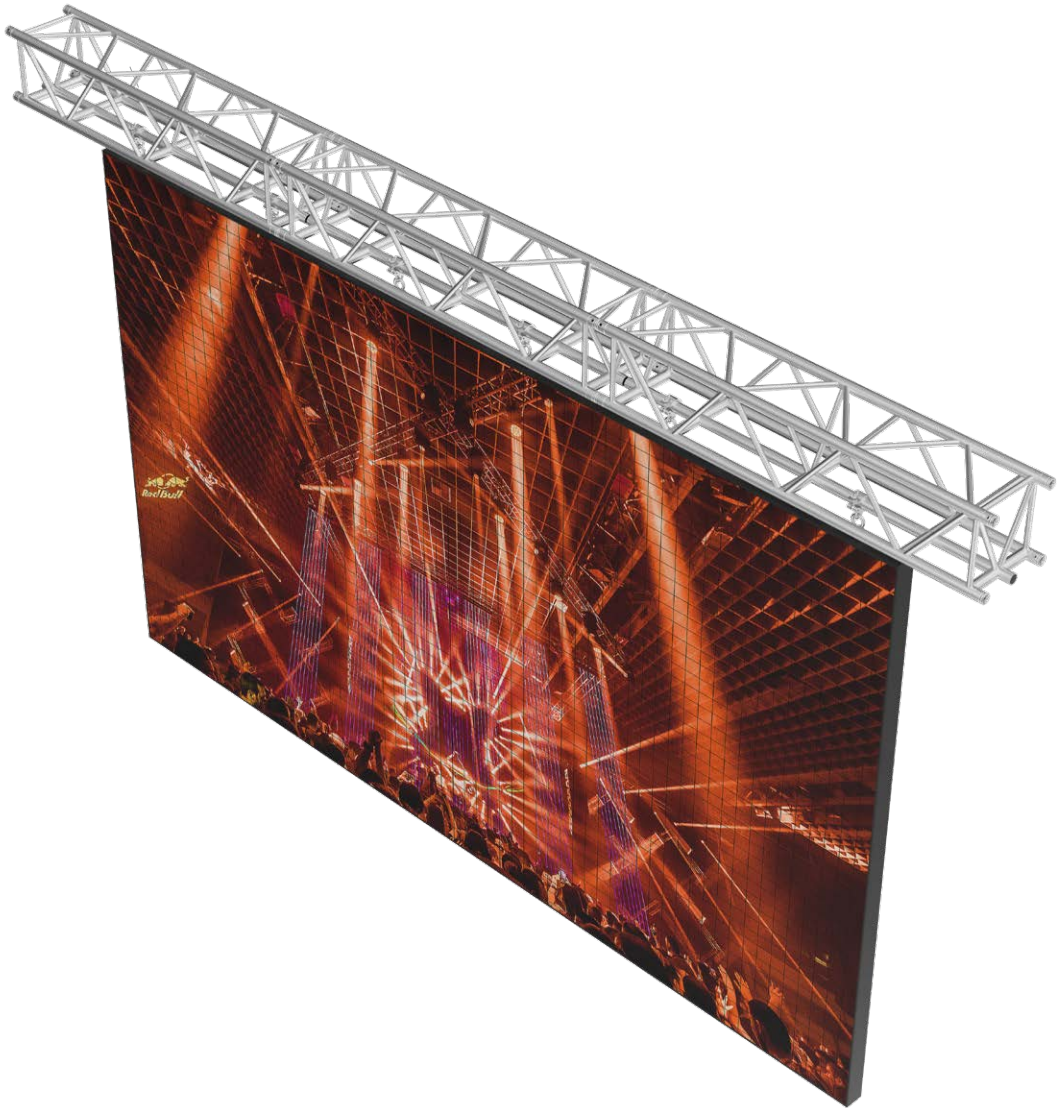
		4 m	6 m	8 m	10 m	12 m	14 m	16 m	18 m	20 m	22 m	24 m
UDL [kg/m]		1009	618	342	214	145	103	75	56	42	31	23
Deflection [mm]		6.9	21.5	38.2	59.6	86.2	117.4	152.3	190.8	230.7	271.4	310.3
CPL [kg]		2708	1855	1368	1070	871	723	604	506	419	342	271
Deflection [mm]		7.4	17.3	30.8	48.4	70.3	96.6	126.3	159.8	195.5	233.2	270.9
TPL [kg]		2031	1391	1026	803	653	543	453	379	314	257	203
Deflection [mm]		9.4	22	39	60.9	87.9	119.7	155.2	194.2	234.7	275.7	314.7
QPL [kg]		1354	928	684	535	435	362	302	253	209	171	136
Deflection [mm]		8.7	20.4	36.4	56.8	82.2	112.2	145.8	183	221.9	261.9	300.4
		13.12 ft	19.69 ft	26.25 ft	32.81 ft	39.37 ft	45.93 ft	52.49 ft	59.06 ft	65.62 ft	72.18 ft	78.74 ft
UDL [lbs/ft]		678.02	415.28	229.81	143.80	97.44	69.21	50.40	37.63	28.22	20.83	15.46
Deflection [in]		0.27	0.85	1.50	2.35	3.39	4.62	6.00	7.51	9.08	10.69	12.22
CPL [lbs]		5970.12	4089.57	3015.92	2358.95	1920.23	1593.94	1331.59	1115.54	923.74	753.98	597.45
Deflection [in]		0.29	0.68	1.21	1.91	2.77	3.80	4.97	6.29	7.70	9.18	10.67
TPL [lbs]		4477.59	3066.63	2261.94	1770.31	1439.62	1197.11	998.69	835.55	692.25	566.59	447.54
Deflection [in]		0.37	0.87	1.54	2.40	3.46	4.71	6.11	7.65	9.24	10.85	12.39
QPL [lbs]		2985.06	2045.89	1507.96	1179.47	959.01	798.07	665.80	557.77	460.77	376.99	299.83
Deflection [in]		0.34	0.80	1.43	2.24	3.24	4.42	5.74	7.20	8.74	10.31	11.83

Loading tables are valid for static loads and spans with two supporting points. Spans must be supported at each end. Contact structural engineer if there are more supporting points applied or dynamic and wind loads involved.

STRAIGHT SEGMENT LENGTHS

Code	Length		Weight	
	m	ft	kg	lbs
TT45-50	0.5 m	1.64 ft	8.87 kg	19.55 lbs
TT45-100	1 m	3.28 ft	14.17 kg	31.24 lbs
TT45-150	1.5 m	4.92 ft	19.89 kg	43.84 lbs
TT45-200	2 m	6.56 ft	25.82 kg	56.91 lbs
TT45-250	2.5 m	8.20 ft	30.37 kg	66.96 lbs
TT45-300	3 m	9.84 ft	36.34 kg	80.12 lbs





LOADING TABLES - CENTRAL BOTTOM TUBE

		4 m	6 m	8 m	10 m	12 m	14 m	16 m	18 m	20 m	22 m	24 m
UDL [kg/m]		660	618	342	214	145	103	75	56	42	31	23
Deflection [mm]		4.5	21.5	38.2	59.6	86.2	117.4	152.3	190.8	230.7	271.4	310.3
CPL [kg]		500	500	500	500	500	500	500	500	419	342	271
Deflection [mm]		1.4	5	12.2	24.4	43.4	70.8	108.5	158.4	195.5	233.2	270.9
TPL [kg]		500	500	500	500	500	500	453	379	314	257	203
Deflection [mm]		2.4	8.2	19.7	39.2	69	111.4	155.2	194.2	234.7	275.7	314.7
QPL [kg]		500	500	500	500	435	362	302	253	209	171	136
Deflection [mm]		3.3	11.2	27	53.3	82.2	112.2	145.8	183	221.9	261.9	300.4
		13.12 ft	19.69 ft	26.25 ft	32.81 ft	39.37 ft	45.93 ft	52.49 ft	59.06 ft	65.62 ft	72.18 ft	78.74 ft
UDL [lbs/ft]		443.50	415.28	229.81	143.80	97.44	69.21	50.40	37.63	28.22	20.83	15.46
Deflection [in]		0.18	0.85	1.50	2.35	3.39	4.62	6.00	7.51	9.08	10.69	12.22
CPL [lbs]		1102.31	1102.31	1102.31	1102.31	1102.31	1102.31	1102.31	1102.31	923.74	753.98	597.45
Deflection [in]		0.06	0.20	0.48	0.96	1.71	2.79	4.27	6.24	7.70	9.18	10.67
TPL [lbs]		1102.31	1102.31	1102.31	1102.31	1102.31	1102.31	998.69	835.55	692.25	566.59	447.54
Deflection [in]		0.09	0.32	0.78	1.54	2.72	4.39	6.11	7.65	9.24	10.85	12.39
QPL [lbs]		1102.31	1102.31	1102.31	1102.31	959.01	798.07	665.80	557.77	460.77	376.99	299.83
Deflection [in]		0.13	0.44	1.06	2.10	3.24	4.42	5.74	7.20	8.74	10.31	11.83

Loading tables are valid for static loads and spans with two supporting points. Spans must be supported at each end. Contact structural engineer if there are more supporting points applied or dynamic and wind loads involved.