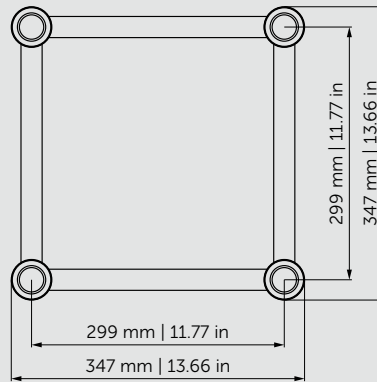


## SPECIFICATIONS

<b>Tubes</b>	48 x 4.5 mm (1.89 x 0.18 in)
<b>Braces</b>	25 x 3 mm (0.98 x 0.12 in)
<b>Alloy</b>	EN AW-6082 T6



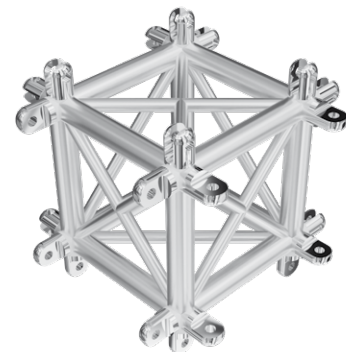
## LOADING TABLES

		3 m	4 m	6 m	8 m	10 m	12 m	13 m	14 m	15 m	16 m	17 m
UDL [kg/m]		1578	1180	557	308	195	133	111	94	80	69	60
Deflection [mm]		4.4	10.3	25	44.4	70.2	101.8	119.7	139	159.4	180.8	205.2
CPL [kg]		3276	2539	1672	1231	974	795	724	661	604	552	510
Deflection [mm]		4.8	8.9	20.1	35.9	57	83.2	98.2	114.5	131.8	150.2	171.3
TPL [kg]		2366	1904	1254	924	730	596	543	495	453	414	383
Deflection [mm]		5.9	11.3	25.5	45.4	71.6	103.9	122.1	141.7	162.5	184.2	209
QPL [kg]		1578	1269	836	616	487	398	362	330	302	276	255
Deflection [mm]		5.5	10.6	23.8	42.3	66.9	97.2	144.4	132.9	152.5	173.2	196.7
FPL [kg]		1183	1058	697	513	406	331	302	275	252	230	213
Deflection		5.3	11.3	25.4	45.1	71.3	103.4	121.6	141.1	161.8	183.5	208.1
		9.84 ft	13.12 ft	19.68 ft	26.24 ft	32.8 ft	39.36 ft	42.64 ft	45.92 ft	49.2 ft	52.48 ft	55.76 ft
UDL [lbs/ft]		1060.37	792.92	374.29	206.97	131.03	89.37	74.59	63.17	53.76	46.37	40.32
Deflection [in]		0.17	0.41	0.98	1.75	2.76	4.01	4.71	5.47	6.28	7.12	8.08
CPL [lbs]		7222.34	5597.54	3686.13	2713.89	2147.30	1752.67	1596.15	1457.26	1331.59	1216.95	1124.36
Deflection [in]		0.19	0.35	0.79	1.41	2.24	3.28	3.87	4.51	5.19	5.91	6.74
TPL [lbs]		5216.14	4197.60	2764.60	2037.07	1609.37	1313.96	1197.11	1091.29	998.69	912.71	844.37
Deflection [in]		0.23	0.44	1.00	1.79	2.82	4.09	4.81	5.58	6.40	7.25	8.23
QPL [lbs]		3478.89	2797.67	1843.06	1358.05	1073.65	877.44	798.07	727.53	665.80	608.48	562.18
Deflection [in]		0.22	0.42	0.94	1.67	2.63	3.83	5.69	5.23	6.00	6.82	7.74
FPL [lbs]		2608.07	2332.49	1536.62	1130.97	895.08	729.73	665.80	606.27	555.56	507.06	469.58
Deflection [in]		0.21	0.44	1.00	1.78	2.81	4.07	4.79	5.56	6.37	7.22	8.19

Loading tables are valid for static loads and spans with two supporting points. Spans must be supported at each end. Contact structural engineer if there are more supporting points applied or dynamic and wind loads involved.

## STRAIGHT SEGMENT LENGTHS

Code	Length		Weight	
GS350-100	1 m	3.28 ft	13.30 kg	29.32 lbs
GS350-124,3	1.243 m	4 ft	15.14 kg	33.38 lbs
GS350-200	2 m	6.56 ft	22.46 kg	49.52 lbs
GS350-243,8	2.438 m	8 ft	26.46 kg	58.33 lbs
GS350-300	3 m	9.84 ft	31.67 kg	69.82 lbs
GS350-400	4 m	13.12 ft	41.10 kg	90.61 lbs



All other corner variants are available on request.

### GS350-MCB

	Multi connection box
	15.65 kg (34.50 lbs)