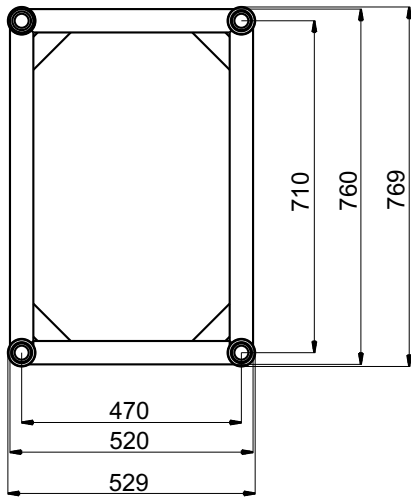
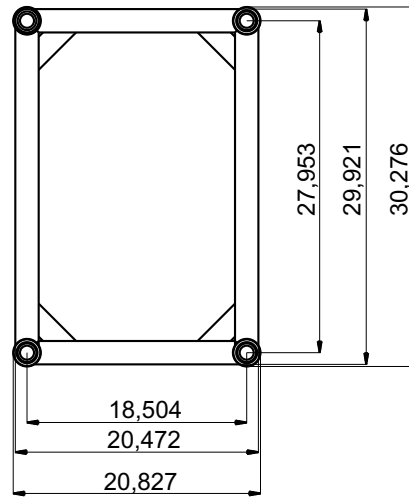


SIZE IN MILLIMETERS



SIZE IN INCHES



SPECIFICATIONS

TUBES	50x4mm (2 x 0.16inch)
BRACES	30x3mm (1.2 x 0.12inch)
ALLOY	EN-AW 6082 T6



STRAIGHT SEGMENT LENGTHS

CODE	LENGTH		WEIGHT	
	m	ft	kg	lbs
TT74-50	0.5m	1.64ft	13.3kg	29.38lbs
TT74-100	1m	3.28ft	19.2kg	42.30lbs
TT74-200	2m	6.56ft	31.7kg	69.86lbs
TT74-250	2.5m	8.20ft	41.0kg	90.43lbs
TT74-300	3m	9.84ft	44.2kg	97.53lbs
TT74-400	4m	13.12ft	56.5kg	124.51lbs

LOADING TABLES

	6m	8m	10m	12m	14m	16m	18m	20m
Distrib. Load [kg/m]	713	530	394	270	195	146	112	88
Deflection [mm]	7.3	17.3	31.7	46.1	63.4	83.6	106.6	132.6
Point load [kg]	3116	2478	1968	1620	1365	1168	1009	877
Deflection [mm]	8.8	16.7	26.4	38.5	52.8	69.6	88.8	110.5
	19.7ft	26.2ft	32.8ft	39.4ft	45.9ft	52.5ft	59.1ft	65.6ft
Distrib. Load [lb/ft]	479.2	356.2	264.8	181.5	131	98.1	75.3	59.1
Deflection [inch]	0.3	0.7	1.2	1.8	2.5	3.3	4.2	5.2
Point load [lb]	6870.8	5464	4339.4	3572.1	3009.8	2575.4	2224.8	1933.8
Deflection [inch]	0.3	0.7	1	1.5	2.1	2.7	3.5	4.4