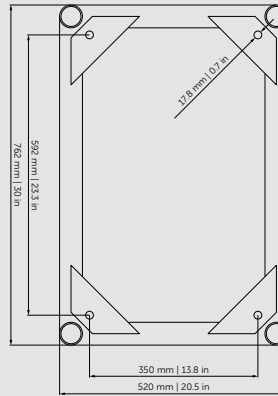


## SPECIFICATIONS

<b>Tubes</b>	50 x 3 mm (1.97 x 0.12 in)
<b>Braces</b>	25 x 3 mm (0.98 x 0.12 in)
<b>Alloy</b>	EN AW-6082 T6



## LOADING TABLES

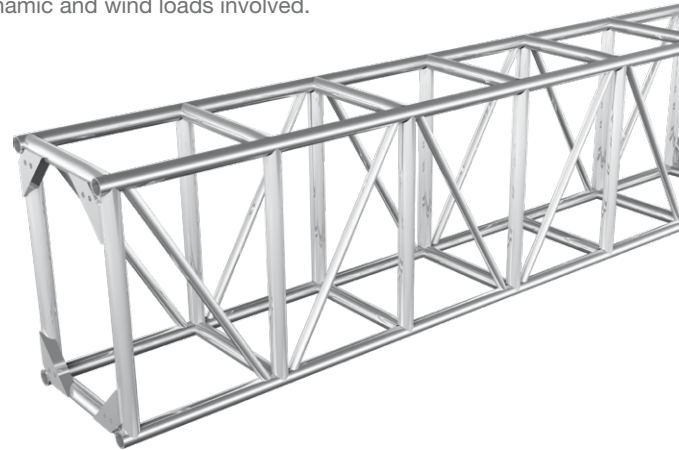
		1.52 m	3.05 m	4.57 m	6.1 m	7.6 m	9.14 m	12.2 m
UDL [kg/m]		1982	980	649	482	382	272	145
Deflection [mm]		0.1	0.8	2.5	6	11.8	17.6	31.5
CPL [kg]		3013	2989	2594	1922	1516	1241	887
Deflection [mm]		0.2	1.4	4	7.2	11.2	16.2	29
		5 ft	10 ft	15 ft	20 ft	25 ft	30 ft	40 ft
UDL [lbs/ft]		1332	659	436	324	257	183	97
Deflection [in]		0.01	0.03	0.1	0.2	0.5	0.7	1.2
CPL [lbs]		6644	6591	5720	4238	3343	2736	1956
Deflection [in]		0.01	0.1	0.2	0.3	0.4	0.6	1.1

Loading tables are valid for static loads and spans with two supporting points. Spans must be supported at each end.

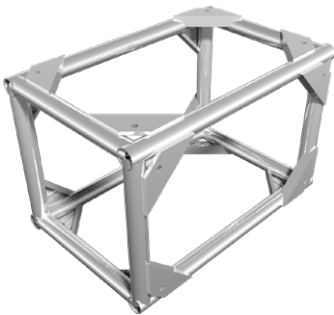
Contact structural engineer if there are more supporting points applied or dynamic and wind loads involved.

## STRAIGHT SEGMENT LENGTHS

Code	Length		Weight	
	m	ft	kg	lbs
FTBH-5	1.52 m	5.00 ft	24.65 kg	54.34 lbs
FTBH-8	2.44 m	8.00 ft	34.49 kg	76.03 lbs
FTBH-10	3.05 m	10.00 ft	42.70 kg	94.13 lbs



## CIRCLES



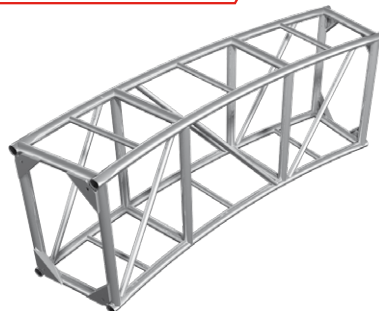
### FTBH-CB-4



Connection box, multiple ways



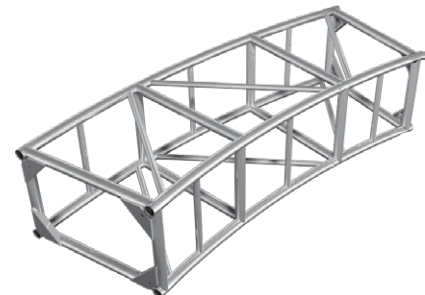
15.79 kg (34.82 lbs)



### FTBH-CH



Horizontal circle, various diameters



### FTBH-CV



Vertical circle, various diameters