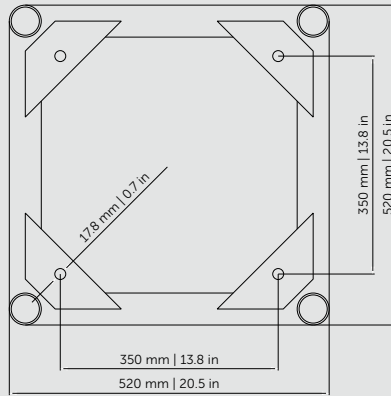


## SPECIFICATIONS

<b>Tubes</b>	50 x 3 mm (1.97 x 0.12 in)
<b>Braces</b>	25 x 3 mm (0.98 x 0.12 in)
<b>Alloy</b>	EN AW-6082 T6



## LOADING TABLES

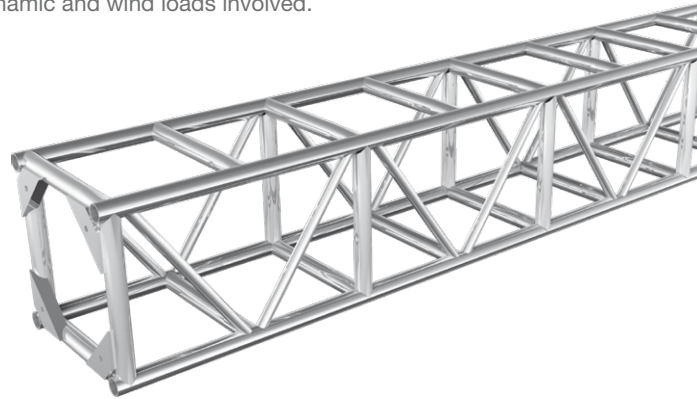
		1.52 m	3.05 m	4.57 m	6.1 m	7.6 m	9.14 m	12.2 m
UDL [kg/m]		2324	1150	694	382	239	162	84
Deflection [mm]		0.2	2	6.2	11.1	17.3	24.9	44.8
CPL [kg]		2879	2251	1585	1166	912	739	512
Deflection [mm]		0.4	2.4	5.7	10.1	15.9	22.9	41.2
		5 ft	10 ft	15 ft	20 ft	25 ft	30 ft	40 ft
UDL [lbs/ft]		1562	773	466	257	161	109	57
Deflection [in]		0.01	0.1	0.2	0.4	0.7	1	1.8
CPL [lbs]		6348	4964	3495	2571	2011	1630	1129
Deflection [in]		0.02	0.1	0.2	0.4	0.6	0.9	1.6

Loading tables are valid for static loads and spans with two supporting points. Spans must be supported at each end.

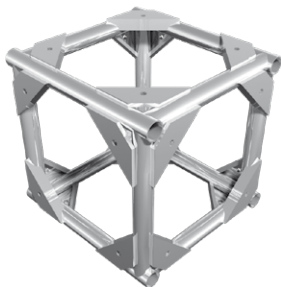
Contact structural engineer if there are more supporting points applied or dynamic and wind loads involved.

## STRAIGHT SEGMENT LENGTHS

Code	Length		Weight	
FTB-M-5	1.52 m	5.00 ft	22.00 kg	48.49 lbs
FTB-M-8	2.44 m	8.00 ft	30.86 kg	68.03 lbs
FTB-M-10	3.05 m	10.00 ft	37.97 kg	83.71 lbs



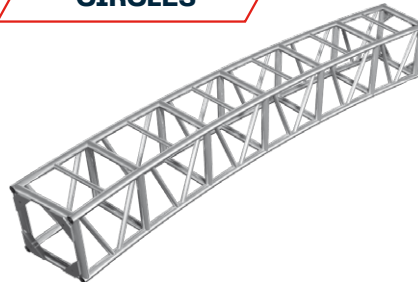
## CIRCLES



### FTB-M-CB-6



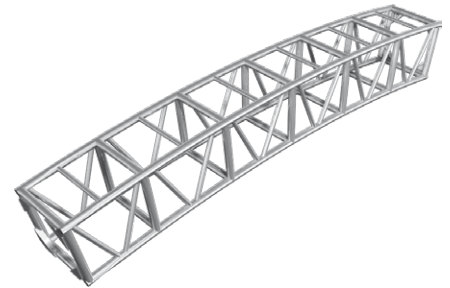
Connection box, multiple ways  
18.56 kg (40.91 lbs)



### FTB-M-CH



Horizontal circle, various diameters



### FTB-M-CV



Vertical circle, various diameters