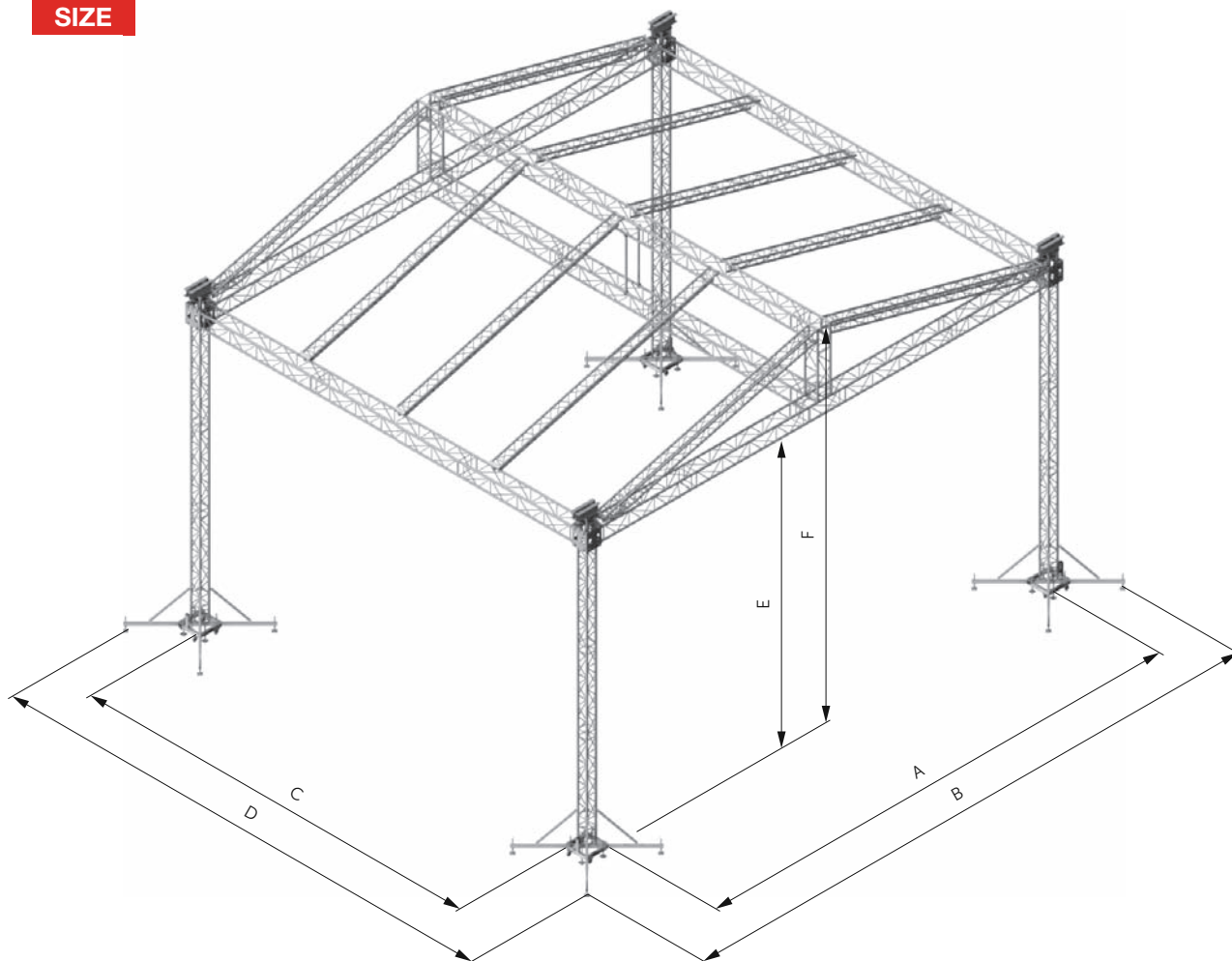


# ROOF 2 – MANUAL

## SIZE



## USED CONSTRUCTION SYSTEMS

Mast section	TT-34
Support truss	FT-44
Outside rafter	FT-34
Inside rafter	FT-33

## SPECIFICATIONS

Max.dimension	14,5x12,5m (47,6x41,0ft)
Max.stage size	12x10m (39,4x32,8ft)
Max.clearance	7,0m (23,9ft)
Max.height	9,1m (29,8ft)
Max.load bearing capacity	2500kg (5511lb)
Total weight of construction	2000kg (4409lb)

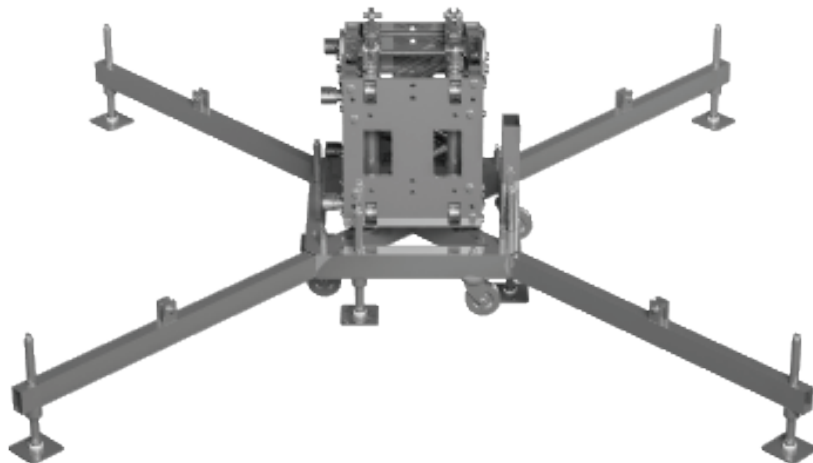
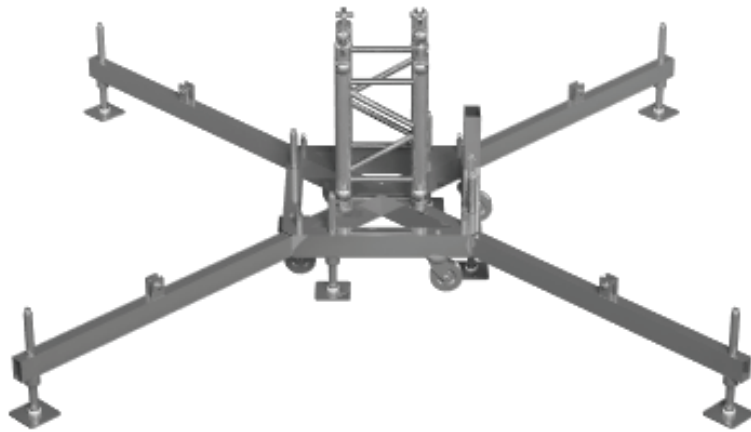
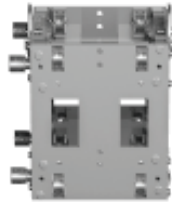
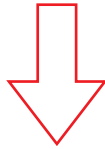
## STAGE MEASUREMENTS

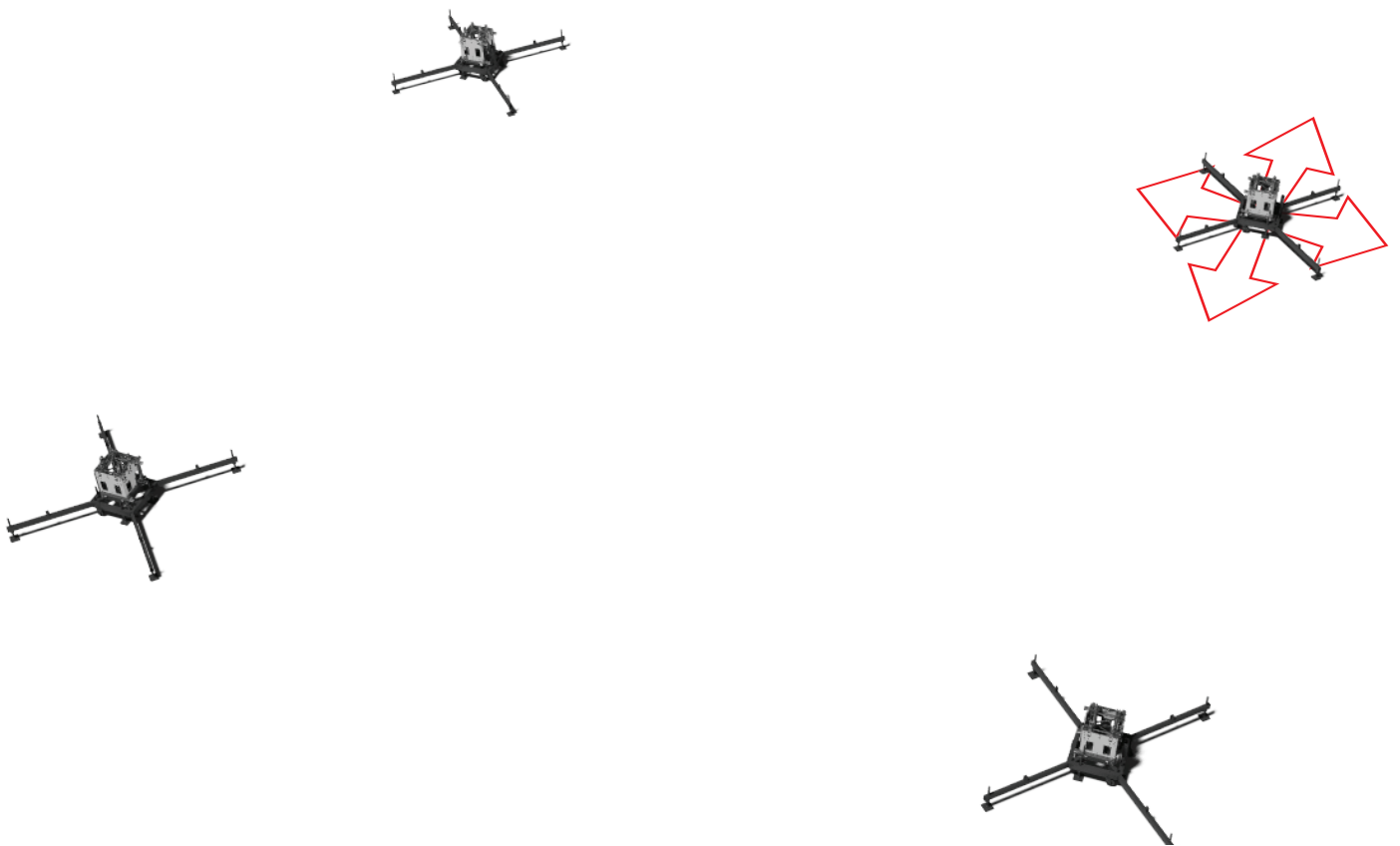
	Inside width	Overall width	Inside depth	Overall depth	Clearance	Height
	A	B	C	D	E	F
8x6 m (26,25x19,69ft)	8030mm (26,35ft)	10500mm (34,45ft)	6030mm (19,78ft)	8500mm (27,89ft)	7000mm (22,97ft)	8567mm (28,11ft)
10x8 m (32,81x26,25ft)	10030mm (32,91ft)	12500mm (41,01ft)	8030mm (26,35ft)	10500mm (34,45ft)	7000mm (22,97ft)	8830mm (28,97ft)
12x10 m (39,37x32,81ft)	12030mm (39,47ft)	14500mm (47,27ft)	10030mm (32,91ft)	12500mm (41,01ft)	7000mm (22,97ft)	9086mm (29,81ft)

# TAF ROOF 2 ASSEMBLY

1

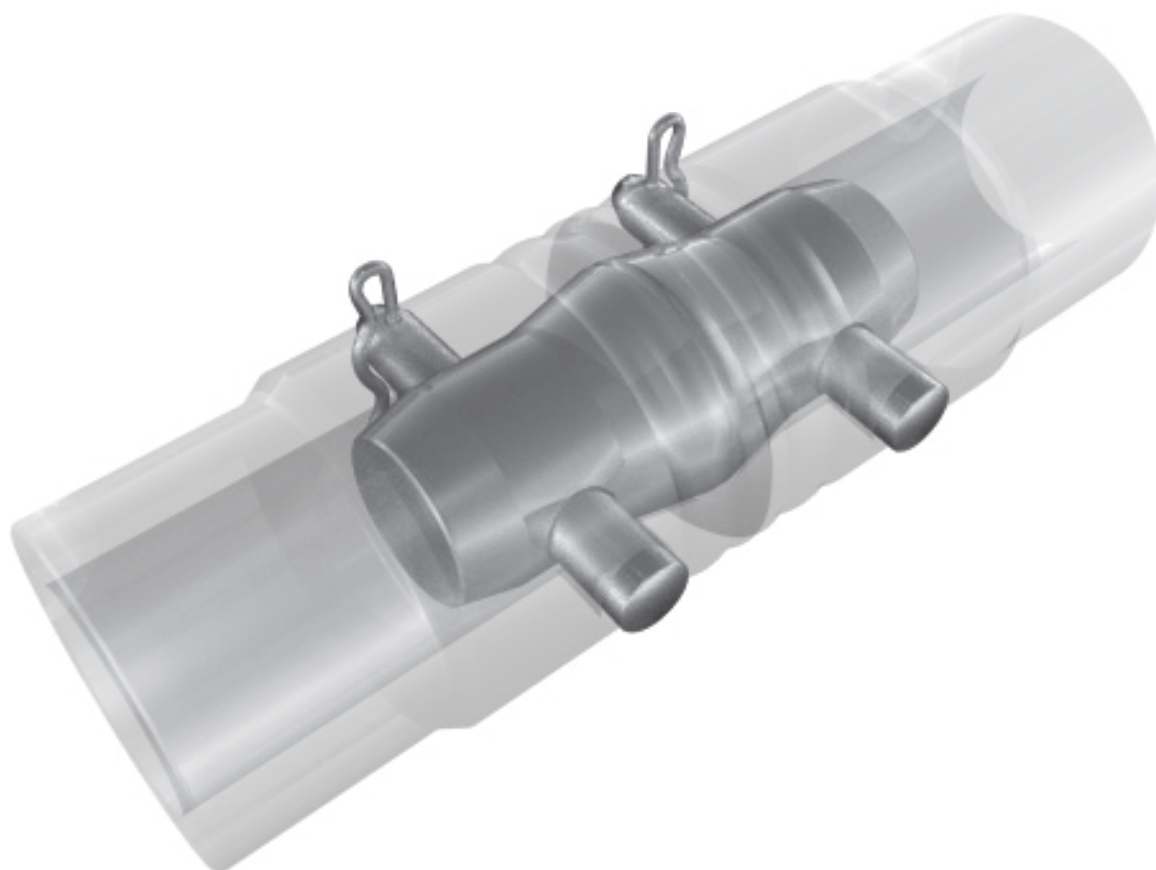
## TOWER BASE ASSEMBLY





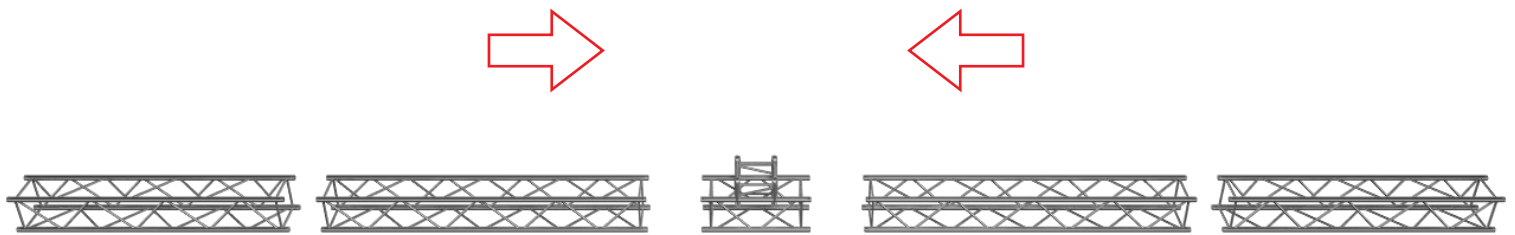
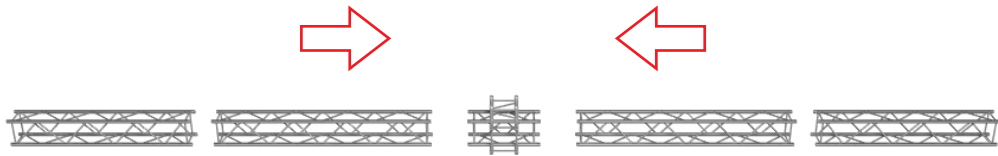
Move the front bases to correct position

**3 QUICK-LOCK CONNECTION**

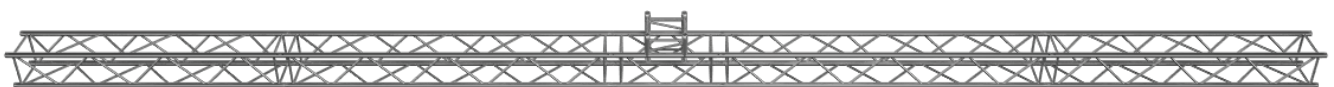


4

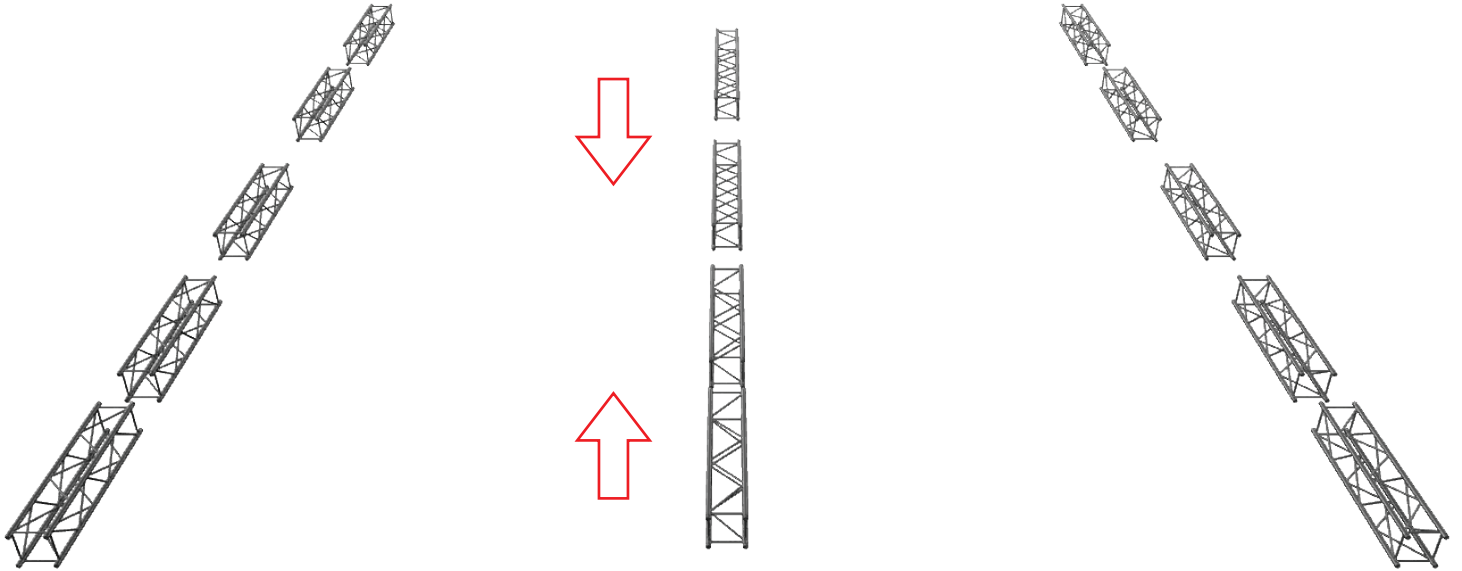
MAIN GRID FRONT+REAR LINES ASSEMBLY



Assemble front + rear beam  
FT44-250 + FT44-300 + FT44-T42 special + FT44-300 + FT44-250

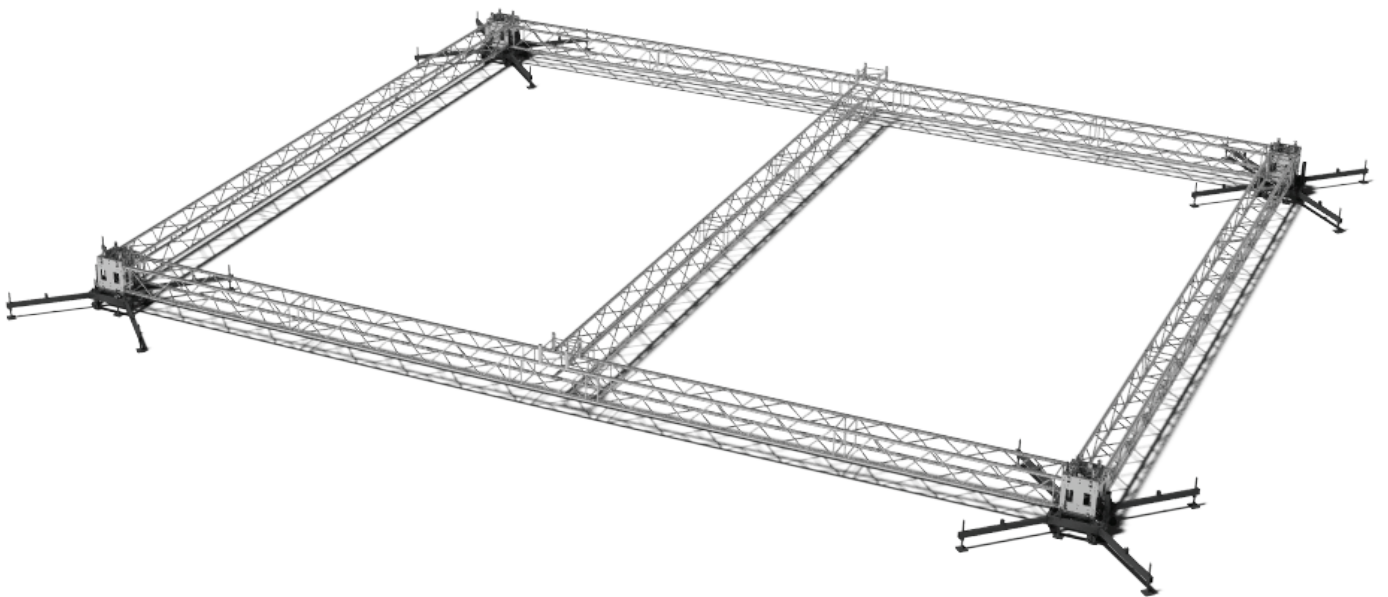


**5 MAIN GRID SIDELINES + MIDDLE LINE ASSEMBLY**



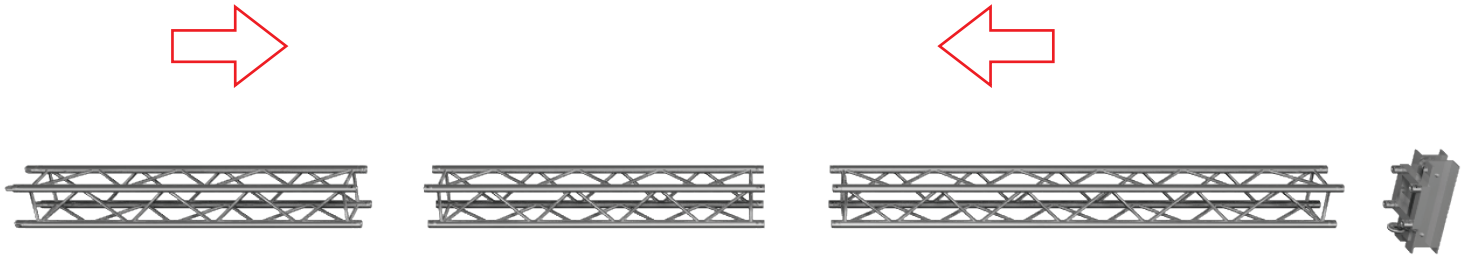
Assemble side beams from 5xFT44-200  
Assemble middle beam from FT44-300 + FT44-250 + FT44-200 + FT44-200



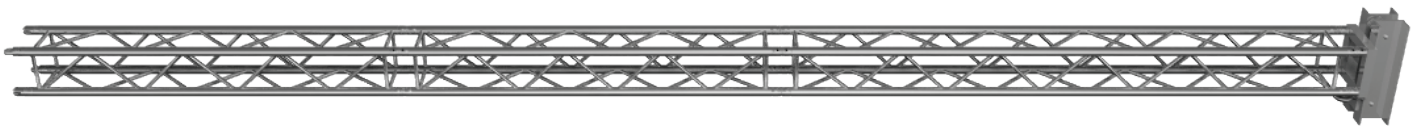


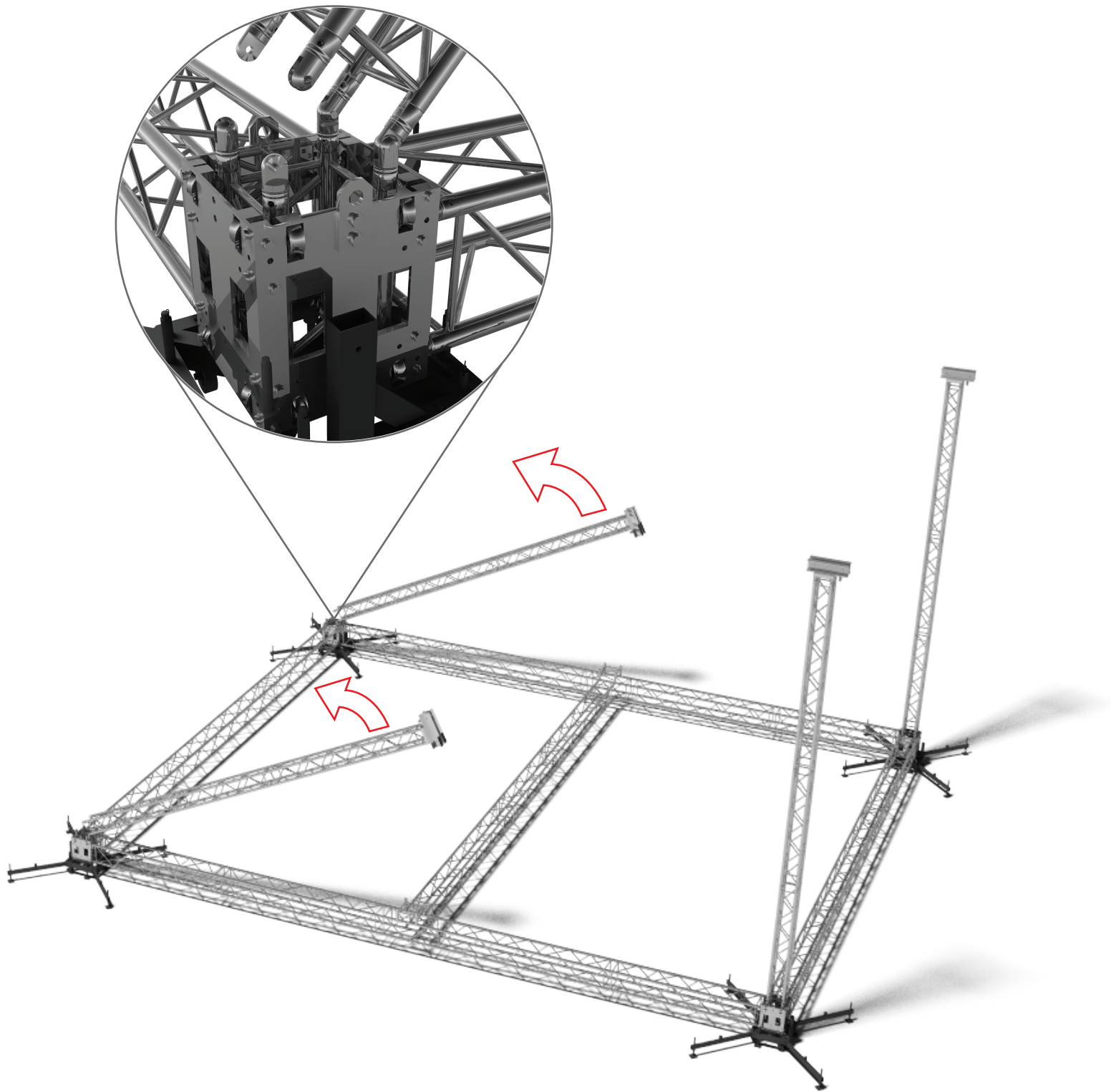
Assemble side and middle beam to front sleeve block to finish main grid

**7 TOWER ASSEMBLY**



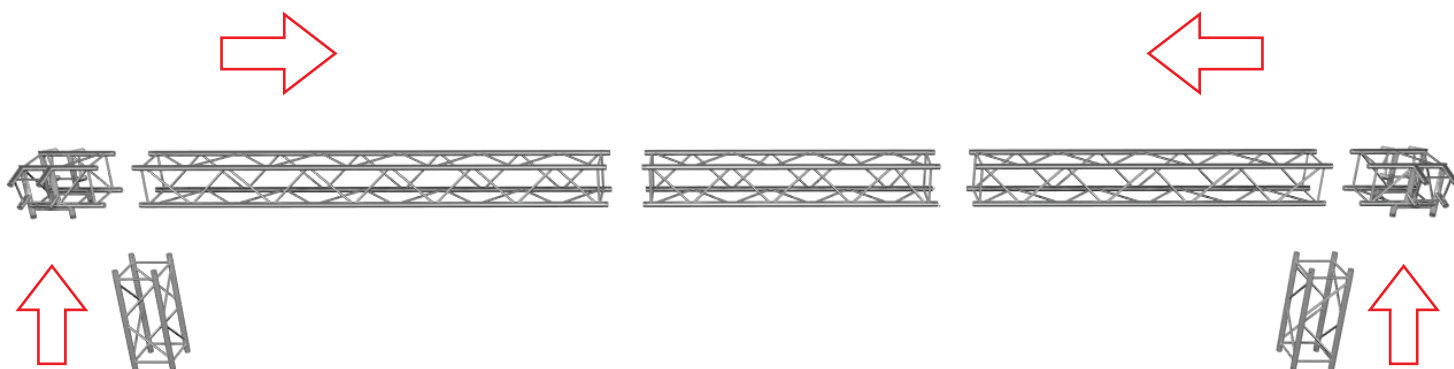
Assemble all towers - 2xTT34-200 + TT34-300+ TT TS





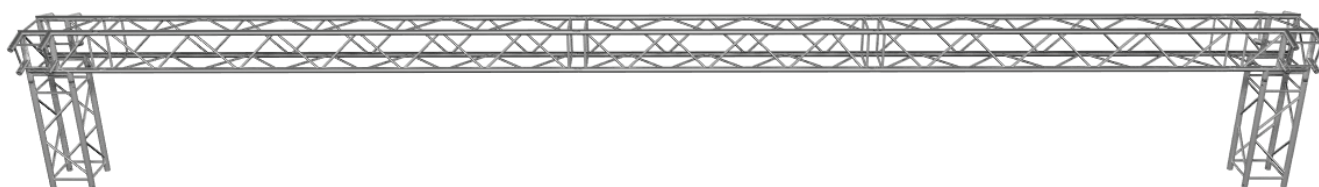
Assemble tower to hinges and erect the tower

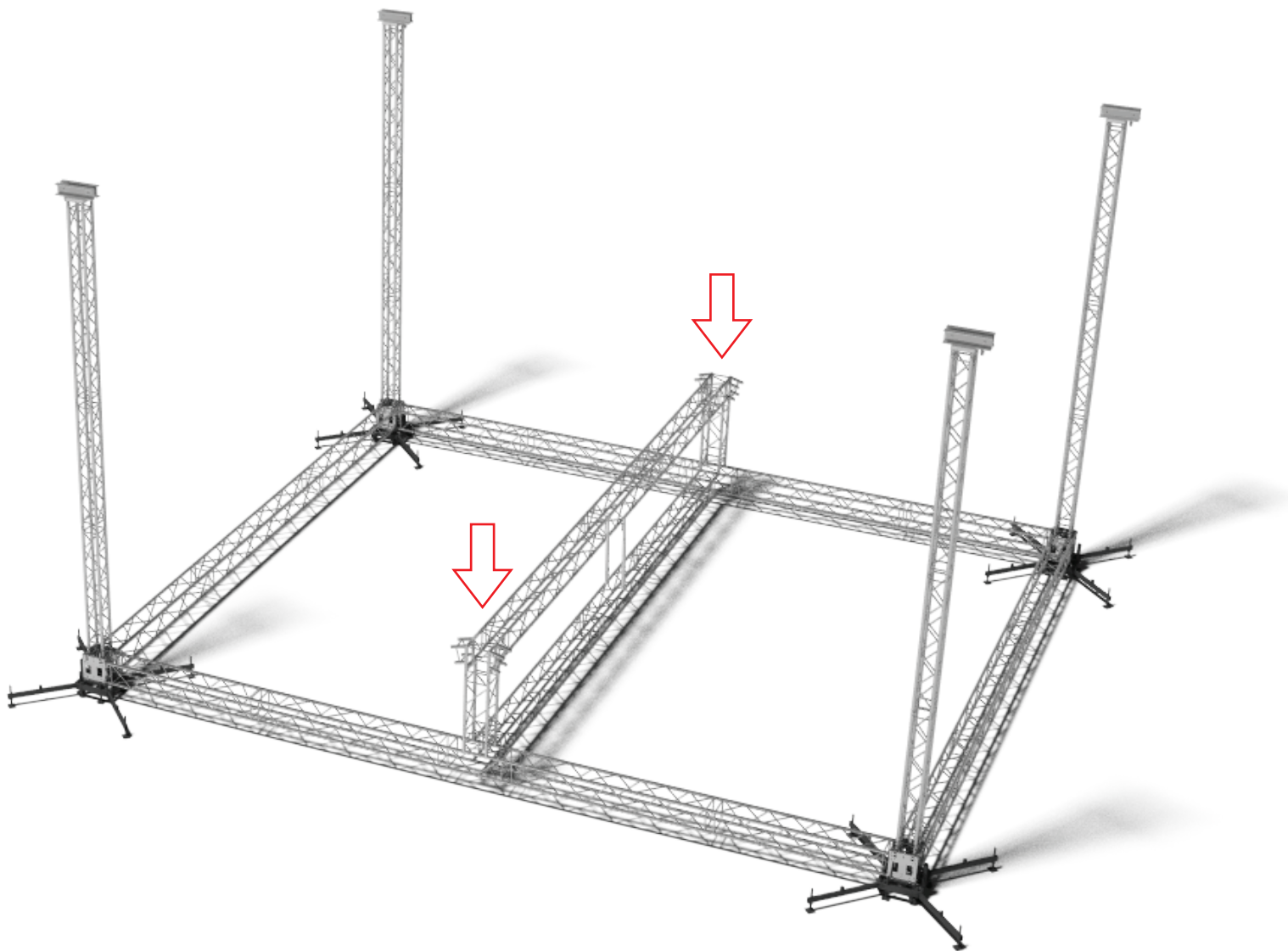
**9 GABLE BEAM ASSEMBLY**



Assemble gable beam

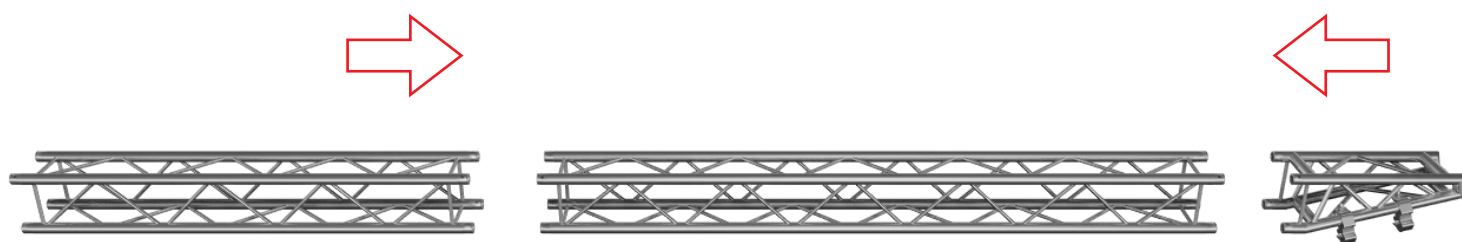
FT44-100 + FT44-C21spec. + FT44-300 + FT44-250 + 2x FT44-200 + FT44-C21spec. + FT44-100



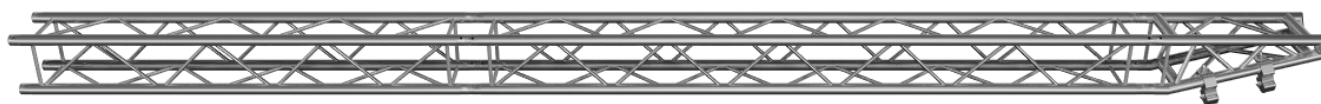


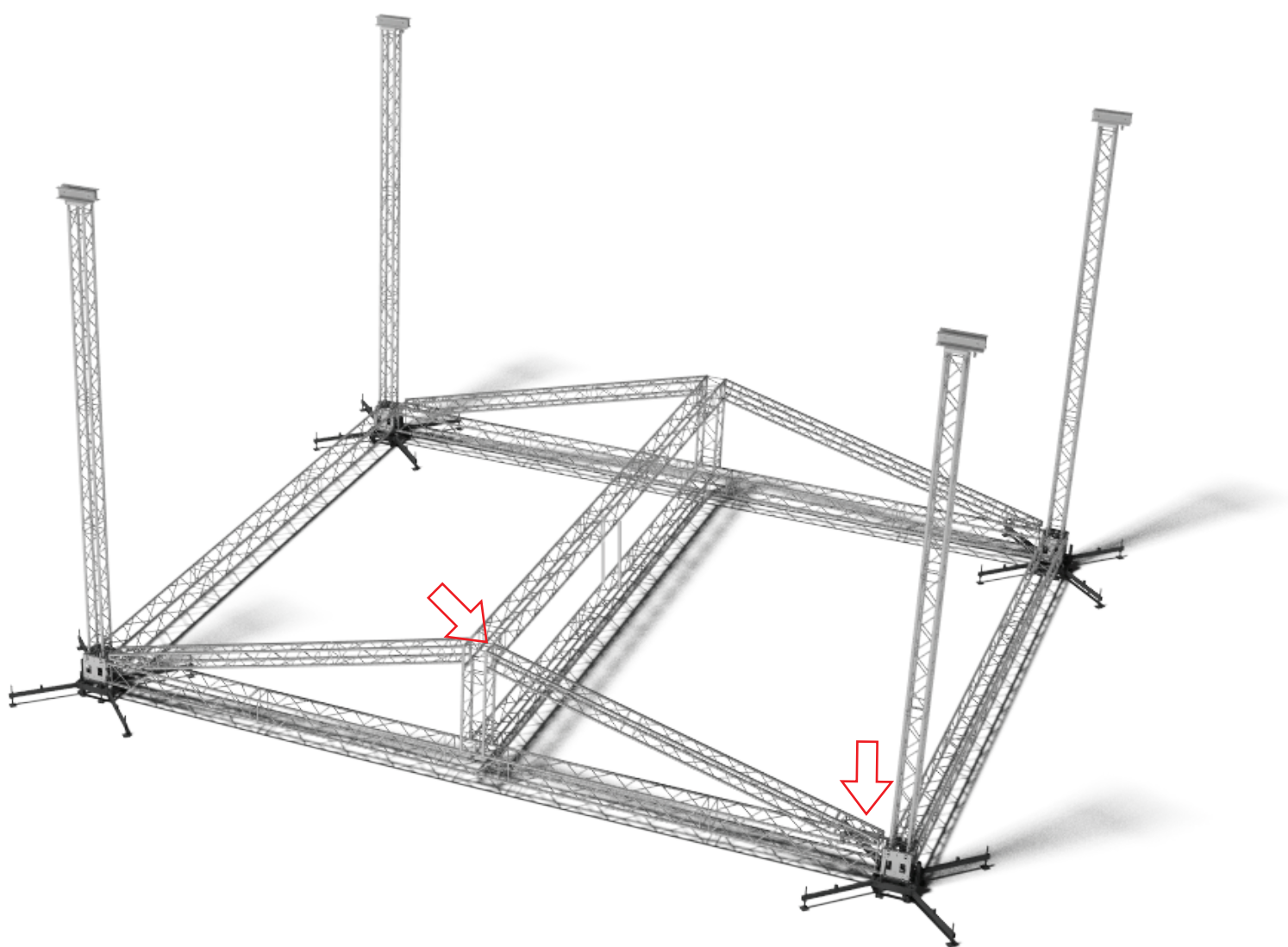
Connect gable beam to main grid and use 2 pcs of middle attachmen for connection between middle and gable beam

**11** FRONT & REAR GABLE RAFTERS ASSEMBLY



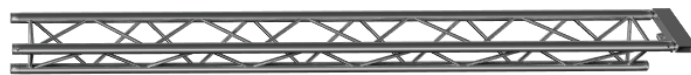
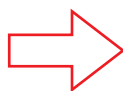
Assemble front + rear rafters FT34-300 + FT34-200 + FT34-44 reduction





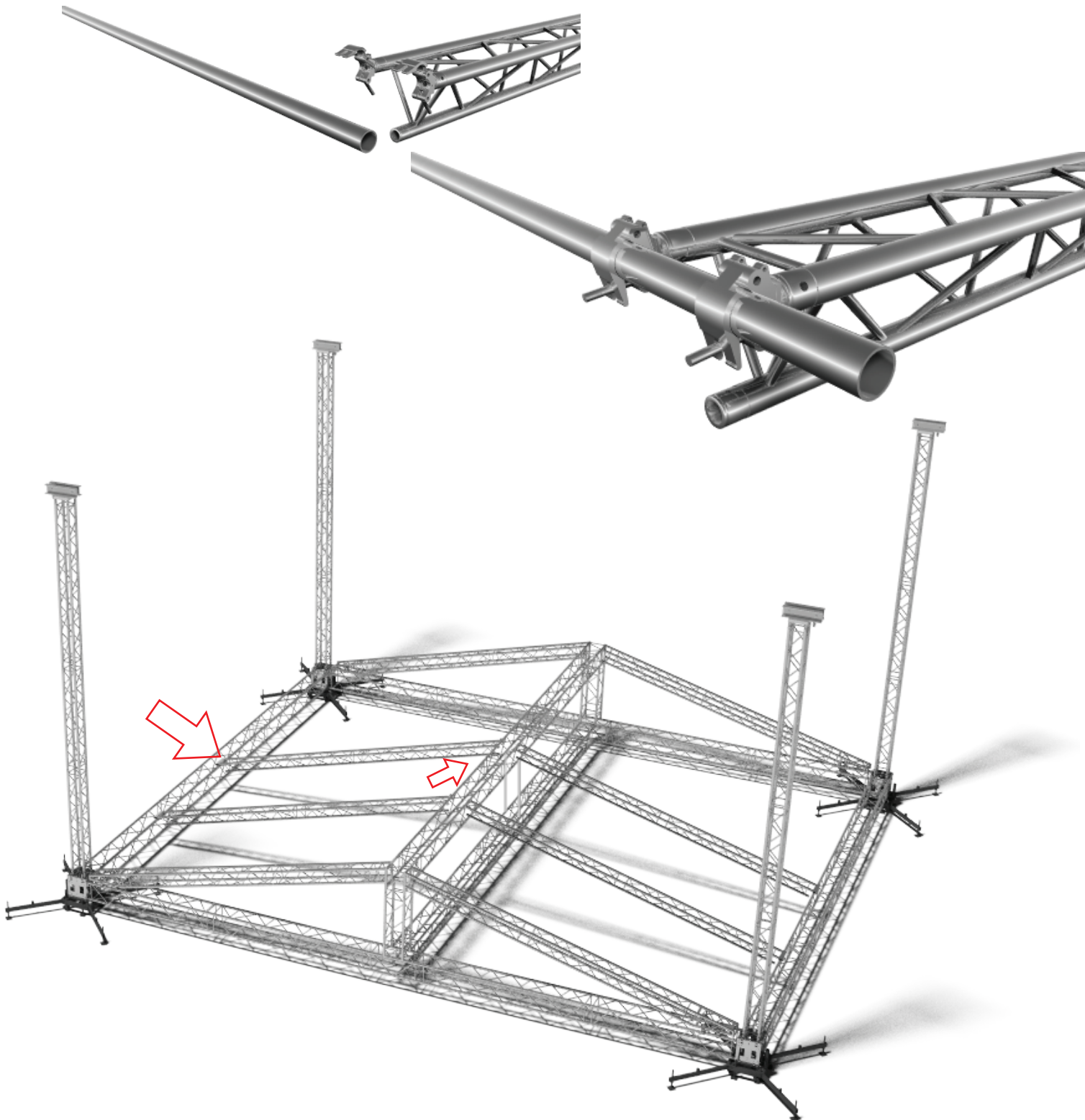
Connect rafters to FT44-C21 spec. and to main grid with usage of swivel couplers

**13** RAFTERS ASSEMBLY



Assemble the rafters from 2x Clamp+halfcon. + FT33-300 + FT33-300 + Lower attachment





Connect rafters to gable and side beam

15

COVER ROOF WITH CANOPY

