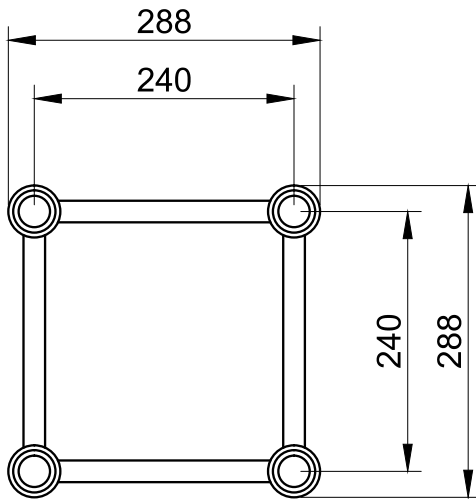
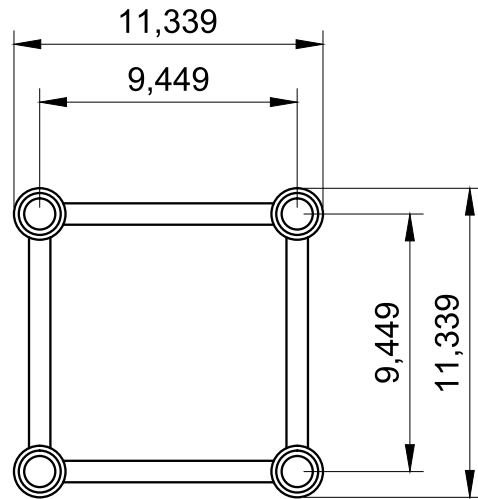


### SIZE IN MILLIMETRS



### SIZE IN INCHES



### SPECIFICATIONS

TUBES	48x3 mm (0.16 x 0.01 inch)
BRACES	16x2mm (0,05 x 0,01 inch)
ALLOY	EN-AW 6082 T6



### STRAIGHT SEGMENT LENGTHS

CODE	LENGTH		WEIGHT	
	m	ft	kg	lbs
PTH34-50	0.5m	1.64ft	4.60kg	10.14lbs
PTH34-75	0.75m	2.46ft	6.23kg	13.73lbs
PTH34-100	1m	3.28ft	7.66kg	16.90lbs
PTH34-125	1.25m	4.10ft	9.10kg	20.06lbs
PTH34-150	1.5m	4.92ft	10.48kg	23.10lbs
PTH34-200	2m	6.56ft	13.38kg	29.50lbs
PTH34-215	2.15m	7.05ft	14.46kg	31.88lbs
PTH34-250	2.5m	8.20ft	16.24kg	35.80lbs
PTH34-275	2.75m	9.02ft	18.02kg	59.12lbs
PTH34-300	3m	9.84ft	19.10kg	42.11lbs
PTH34-350	3.5m	11.48ft	21.96kg	48.41lbs
PTH34-400	4m	13.12ft	24.82kg	54.72lbs
PTH34-450	4.5m	14.76ft	27,68kg	61.03lbs
PTH34-500	5m	16.40ft	30.54kg	67.33lbs

### LOADING TABLES

	2m	3m	4m	5m	6m	7m	8m	9m	10m	11m	12m
Distrib. Load [kg/m]	726	481	359	285	237	202	175	154	124	101	83
Deflection [mm]	0.9	3.0	7.2	14.0	24.2	38.5	57.5	81.7	101.1	122.3	144.9
Point Load (in L/2) [kg]	1452	1444	1436	1316	1096	937	802	695	618	553	496
Deflection [mm]	1.4	4.8	11.4	20.5	29.7	40.8	52.8	66.3	82.2	99.8	118.8
	6.6ft	9.8ft	13.1ft	16.4ft	19.7ft	23.0ft	26.2ft	29.5ft	32.8ft	36.1ft	39.4 ft
Distrib. Load [lb/ft]	487.8	323.2	241.2	191.5	159.3	135.7	117.6	103.5	83.3	67.9	55.8
Deflection [inch]	0.04	0.1	0.3	0.6	1.0	1.5	2.3	3.2	4.0	4.8	5.7
Point Load (in L/2) [lb]	3201.1	3183.5	3165.8	2901.3	2416.3	2065.7	1768.1	1532.2	1362.5	1219.2	1093.5
Deflection [inch]	0.1	0.2	0.4	0.8	1.2	1.6	2.1	2.6	3.2	3.9	4.7