



TAF



Product Catalogue



Truss Aluminium Factory a.s. (TAF) has been in the aluminium trussing industry since 1998. The TAF company has established itself at the world market in the field of aluminium trussing production during that time as one of the production leaders of high quality aluminium trusses in the world.

Our trussing systems are sold worldwide as the top products on the market. Typical features of our products such as variability, lightness,

flexibility and user friendliness are the basic attributes that a good aluminium truss should have. TAF proudly supplies the market with products which go beyond these standard qualities.

The high-quality material together with strictly checked welding process, careful testing and high-standard packing make the TAF products what they are.





- TAF team consists of highly qualified and experienced professionals who are ready to help you with any requests regarding production, quality, engineering and customer service.
- Our high-standard customer service is our everyday commitment.
- We can help you out with any specific designs that you have in mind.
- Durable, flexible and versatile aluminium truss of any kind of connection type.
- We use the following types of aluminium alloy in our production EN-AW 6082 T6, EN-AW 6060 T66 for the trussing segments and EN-AW 2007 T4 for the CNC parts.
- All the material used in our production is properly certified and each delivery thoroughly checked.



TAF USA, LLC has been in business for over 10 years and is quickly growing to be one of the largest distributors of aluminum trusses in America. Our goal is to serve our customers through the sale of high quality aluminum truss products and accessories.





We offer complete line of high quality aluminum truss systems in both traditional and unique styles. Our full line of products include multiple aluminum truss systems, truss towers, truss roofs, led frames, stages, crowd control barriers, truss exhibit designs, furniture and matching accessories.

All products are distributed from our 20 000 square feet warehouse facility in New Smyrna Beach, Florida. Our professional staff always make sure that stock is re-filled on regular bases to satisfy our customers demand for fast order shipments.



PRODUCTION



- Usage of semi-automatic cutting machines for cutting of the main tubes of the trussing segments and a fully automatic machines for cutting of (the) main tubes of the tubes for bracing gives us an advantage of speed and precision.



- There is nothing unusual in application of high-quality tooling for welding in TAF factory.

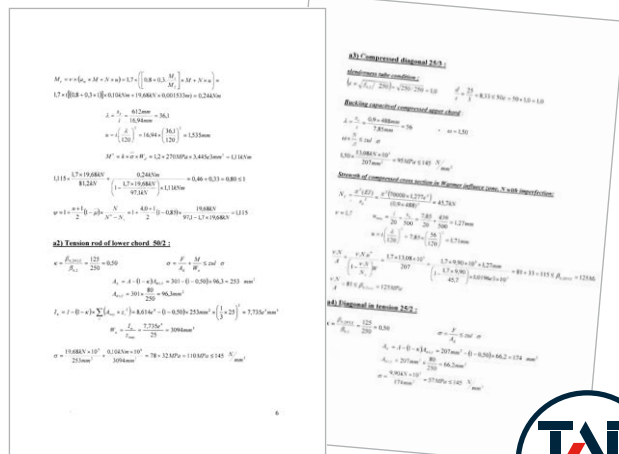


- All our products are carefully inspected for any defects, packed in 5-layer carton boxes, labeled and loaded to the truck. The system of triple control ensures that minimum defective pieces is dispatched from the factory.

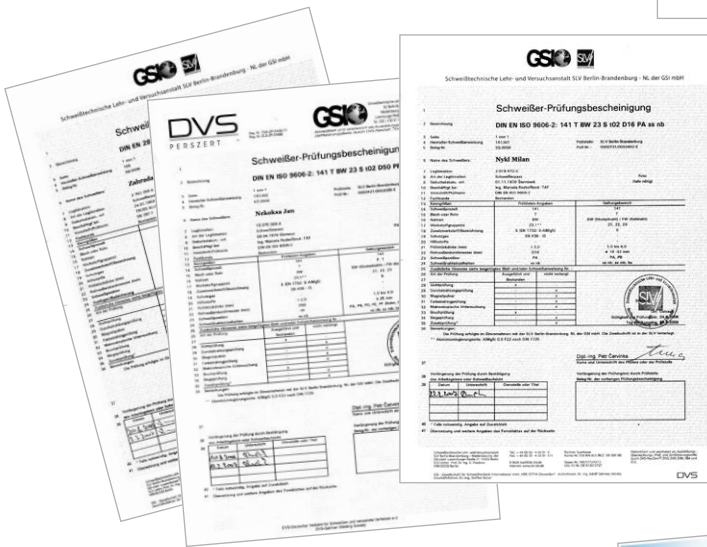
CERTIFICATES



- Static Calculations are a necessary part of documentation for any trussing line manufactured at TAF and they are used by TÜV NORD and TÜV SÜD as essential documents for testing of our trussing segments. Custom projects should have static calculation attached in order to be assembled, used and managed properly.



- Our welders are properly trained and certified by GSI SLV following the highest quality standards for welding of aluminum alloys.



- TAF production follows the European harmonized standard EN 1090, which is the latest standard for manufacturing of steel and aluminum trusses. It means that our production process follows the highest European standards.



- TÜV certification of TAF trussing lines ensures the highest quality of TAF products and proves that our trussing segments can bear the loads shown in our loading tables.

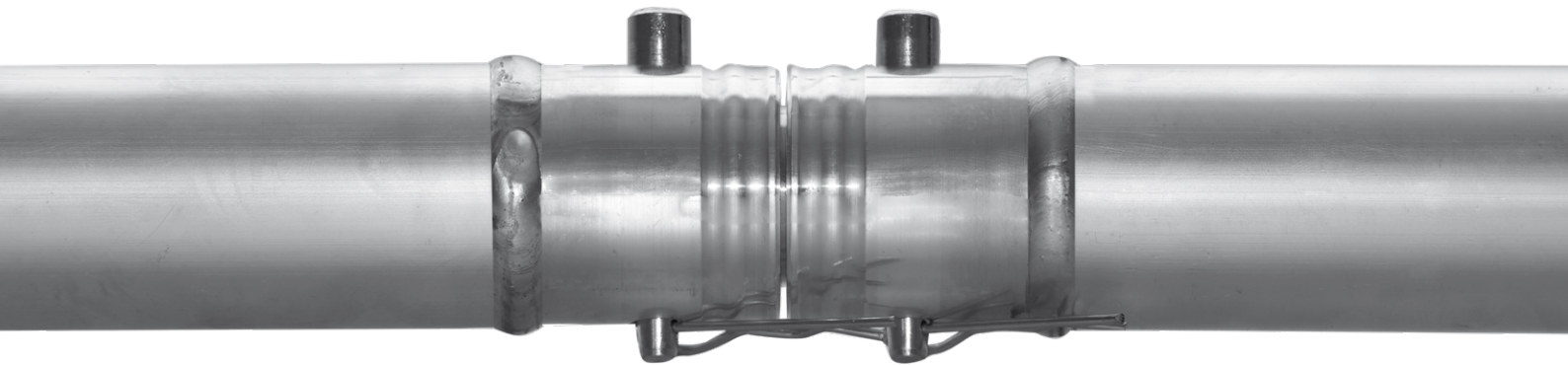
CONTENTS

QUICKLOCK LINE	9	TOWERS	122
FT14 box	10	Tower 05	124
FT21 single	12	Tower 1	126
FT22 double	14	Tower 2	128
FT23 triangle	18	Bolted Tower TFTB-L	130
FT24 box	24	PA Tower 05	132
Accessories FT21–24	28	PA Tower 1	134
FT31 single	30	PA Tower 2	136
FT32 / HT32 double	32		
FT33 / HT33 triangle	36	RIGGING MOTORS	138, 160
FT34 / HT34 box	42		
FT42 / HT42 double	48	LED FRAMES	140
FT43 / HT43 triangle	50	LED frame 5x3m	142
FT44 / HT44 box	54	LED frame 6x4m	143
FTR4030 rectangle	58	LED frame 8x6m	144
TT35 box	59		
TT44 box	60	ROOFS	146
TT45 box	61	Roof standard	148
TT54 box	62	RST1	149
TT74 rectangle	62	RST2	150
TT104 rectangle	64	RST3	151
Accessories FT31–TT74	66	Roof 1	152
U-Light Frame	74	Roof 8x6x6,1m	154
Vario Plate	75	Roof 2	156
PT33 triangle	76	Roof 14x10x9m KD	158
PT34/PTH34 box	82	Roof 3	160
PT44/PTH44	86	Rigging Accessories	164
LT32 double	90		
LT34 box	94	STAGES	166
ET31 single	96	Stages STH	166
ET32 double	98		
ET33 triangle	99	BARRIERS	168
BOLTED TRUSS	100	TRUCK RAMP	170
FTB-L	102		
FTB-M	104	FURNITURE	172
FTB-H	105		
		DESIGN EVENTS	174
FORK TRUSS	106		
GS350	108	GATES	182
GS620	109		
GS910	110	SPECS SUMMARY	184
PR1 PreRIG	112		
PR2 PreRIG	114		
CLAMPS	116		
Clamps	116		
Exhibit clamps	120		

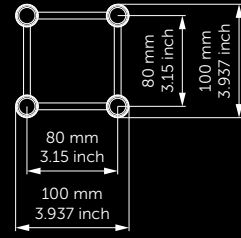
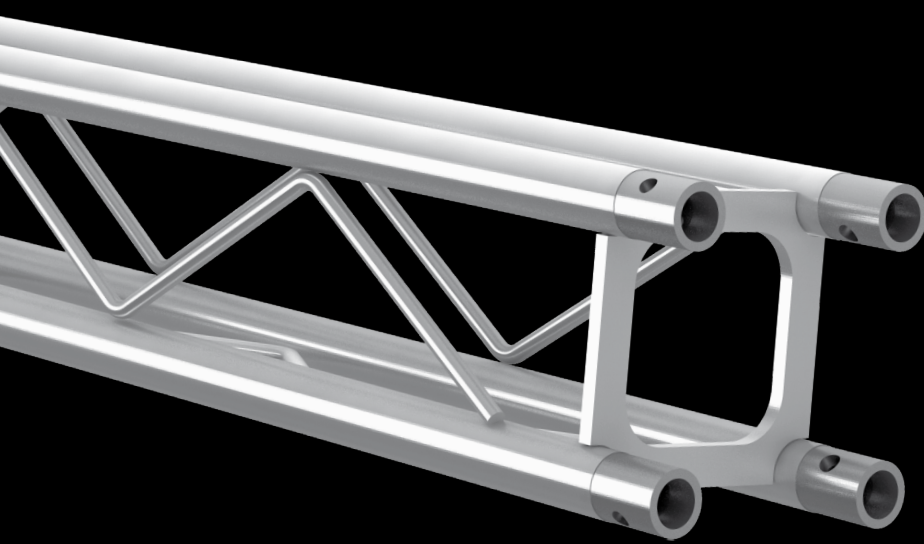
QUICKLOCK LINE

Quicklock line is defined by the quick-lock connection system. The greatest advantage of this type of connection lies in fast and easy assembly of the trusses while maintaining high level of strength and durability. This trussing system, also known as spigoted truss, represents the widest range of TAF aluminium trussing products in one connection type.

We offer several shapes of Quicklock line segments. Once you choose the shape that suits you best, you will see all the available trussing lines for the chosen shape. These lines differ in their dimensions as well as in the type of the main tube and braces constructing the traverses.



Quicklock Line Connection



SPECIFICATIONS

TUBES	20x2 (0.8 x 0.08inch)
BRACES	6mm (0.24inch)
ALLOY	EN-AW 6082 T6



STRAIGHT SEGMENT LENGTHS

CODE	LENGTH		WEIGHT	
FT14-50	0.5m	1.64ft	0.9kg	2.07lb
FT14-100	1m	3.28ft	1.7kg	3.77lb
FT14-150	1.5m	4.92ft	2.5kg	5.57lb
FT14-200	2m	6.56ft	3.3kg	7.35lb
FT14-250	2.5m	8.20ft	4.1kg	9.15lb
FT14-300	3m	9.84ft	5.0kg	10.94lb

LOADING TABLES

	2m	4m	6m	8m	10m
Distrib. Load [kg/m]	220	61	29	14	9
Deflection [mm]	12.1	41.5	91.7	155.7	261.1
Point load [kg]	147	93	69	52	44
Deflection [mm]	6.4	25.4	60.5	118.5	196.5
	6.56ft	13.12ft	19.68ft	26.24ft	32.81ft
Distrib. Load [lb/ft]	147.9	41	19.5	9.4	6
Deflection [inch]	0.5	1.6	3.6	6.1	10.3
Point load [lb]	324.1	205.1	152.1	114.7	97
Deflection [inch]	0.3	1	2.4	4.7	7.7

Loading tables are valid for static loads and spans with two supporting points.

Spans must be supported at each end.

Contact structural engineer if there are more supporting points applied or dynamic and wind loads involved.


1004

Base plate FT14


1150

Pin FT14


1152

Safety clip FT14


1101

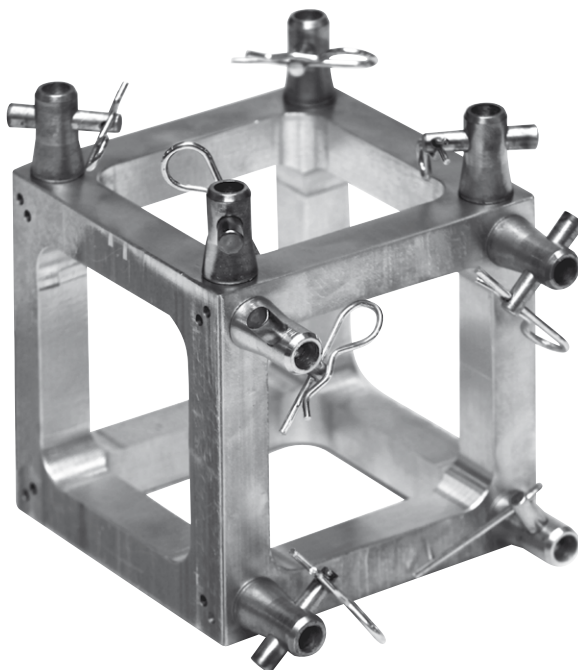
Connector FT14


1116

Halfconnector male steel FT14


1124

Conn. set FT14

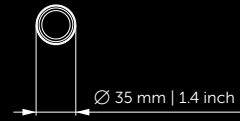
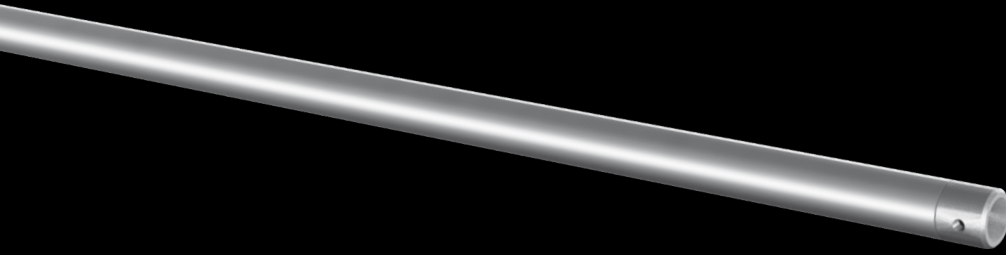

FT14-MCB

0.6kg (1.30lb)

universal junction box

0.1m (0.33ft)

Includes 2 connection sets for two ways.



SPECIFICATIONS

TUBES	35x2 (1.4 x 0.08inch)
ALLOY	EN-AW 6060 T66



STRAIGHT SEGMENT LENGTHS

CODE	LENGTH		WEIGHT	
FT21-50	0.5m	1.64ft	0.3kg	0.74lb
FT21-100	1m	3.28ft	0.6kg	1.35lb
FT21-150	1.5m	4.92ft	0.9kg	1.97lb
FT21-200	2m	6.56ft	1.2kg	2.59lb

LOADING TABLES

	1m	2m	3m	4m
Distrib. Load [kg/m]	113	28	13	7
Deflection [mm]	7.4	29.7	66.7	118.6
Point load [kg]	56	28	19	14
Deflection [mm]	5.9	23.7	53.4	94.9
	3.28ft	6.56ft	9.84ft	13.12ft
Distrib. Load [lb/ft]	75.9	18.8	8.7	4.7
Deflection [inch]	0.3	1.2	2.6	4.7
Point load [lb]	123.5	61.7	41.9	30.9
Deflection [inch]	0.2	0.9	2.1	3.7

Loading tables are valid for static loads and spans with two supporting points. Spans must be supported at each end. Contact structural engineer if there are more supporting points applied or dynamic and wind loads involved.

- The FT21 single tubes are used only for decorations and design purposes.


FT21-C19

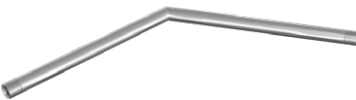
0.6kg (1.35lb)
 2-way 45° corner
 0.5m (1.64ft)


FT21-C20

0.6kg (1.35lb)
 2-way 60° corner
 0.5m (1.64ft)


FT21-C21

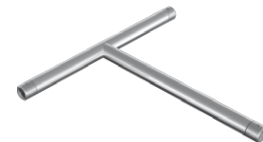
0.6kg (1.35lb)
 2-way 90° corner
 0.5m (1.64ft)


FT21-C22

0.6kg (1.35lb)
 2-way 120° corner
 0.5m (1.64ft)


FT21-C23

0.6kg (1.35lb)
 2-way 135° corner
 0.5m (1.64ft)

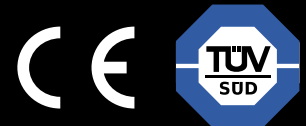
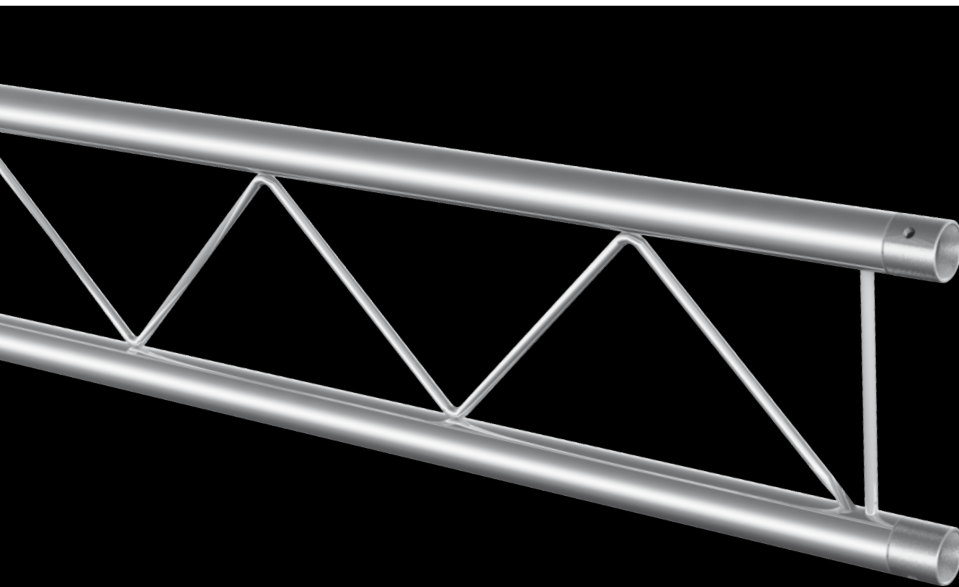

FT21-T35

0.6kg (1.38lb)
 3-way T-junction
 0.5m (1.64ft)


#2191

Multi junction cube





SPECIFICATIONS

TUBES	35x2 (1.4 x 0.08inch)
BRACES	8mm (0.3inch)
ALLOY	EN-AW 6060 T66



STRAIGHT SEGMENT LENGTHS

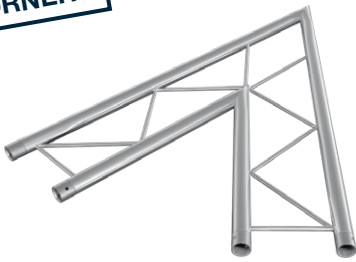
CODE	LENGTH		WEIGHT	
FT22-50	0.5m	1.64ft	0.8kg	1.75lb
FT22-75	0.75m	2.46ft	1.1kg	2.45lb
FT22-100	1m	3.28ft	1.3kg	2.80lb
FT22-150	1.5m	4.92ft	2.1kg	4.62lb
FT22-200	2m	6.56ft	2.8kg	6.10lb
FT22-250	2.5m	8.20ft	3.4kg	7.54lb
FT22-300	3m	9.84ft	4.1kg	8.98lb
FT22-350	3.5m	11.48ft	4.7kg	10.44lb
FT22-400	4m	13.12ft	5.4kg	11.88lb

LOADING TABLES

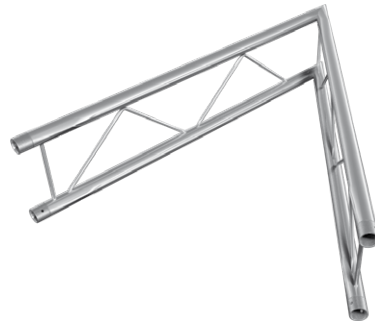
	2m	3m	4m	6m	8m	10m
Distrib. Load [kg/m]	101	67	48	21	11	7
Deflection [mm]	0.9	2.9	6.6	15.5	27.7	43.6
Point load [kg]	196	129	96	63	44	33
Deflection [mm]	1.3	3	5.4	12.6	22.9	36.7
	6.56ft	9.84ft	13.12ft	19.68ft	26.24ft	32.81ft
Distrib. Load [lb/ft]	67.9	45	32.3	14.1	7.4	4.7
Deflection [inch]	0.04	0.1	0.3	0.6	1.1	1.7
Point load [lb]	432.2	284.4	211.7	138.9	97	72.8
Deflection [inch]	0.1	0.1	0.2	0.5	0.9	1.4

Loading tables are valid for static loads and spans with two supporting points.
Spans must be supported at each end.
Contact structural engineer if there are more supporting points applied or dynamic and wind loads involved.

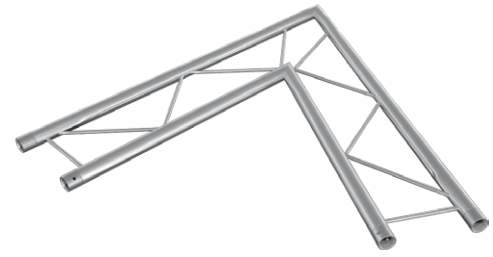
The listed loads are verified for simply supported beam.
The truss needs to be secured against horizontal movement every 1m for the loading tables to be valid.

CORNERS

FT22-C19-H

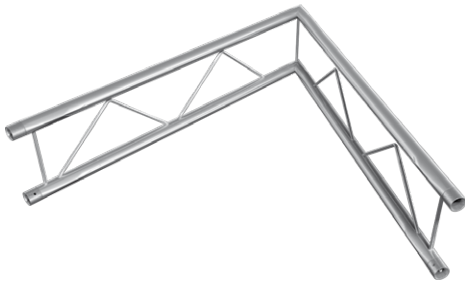
2.1kg (4.68lb)
 2-way 45° corner horizontal
 1m (3.28ft)


FT22-C19-V

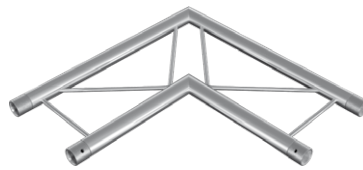
2.7kg (5.90lb)
 2-way 45° corner vertical
 1m (3.28ft)


FT22-C20-H

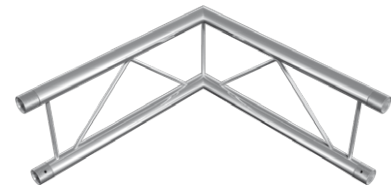
2.3kg (5.05lb)
 2-way 60° corner horizontal
 1m (3.28ft)


FT22-C20-V

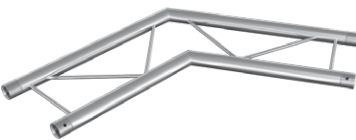
2.7kg (5.90lb)
 2-way 60° corner vertical
 1m (3.28ft)


FT22-C21-H

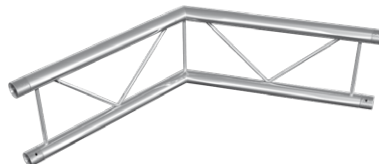
1.2kg (2.61lb)
 2-way 90° corner horizontal
 0.5m (1.64ft)


FT22-C21-V

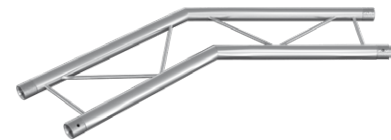
1.4kg (3.12lb)
 2-way 90° corner vertical
 0.5m (1.64ft)


FT22-C22-H

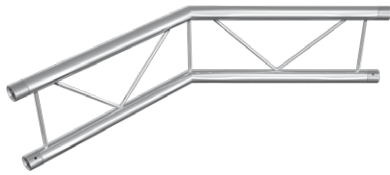
1.3kg (2.80lb)
 2-way 120° corner horizontal
 0.5m (1.64ft)


FT22-C22-V




1.4kg (3.07lb)
 2-way 120° corner vertical
 0.5m (1.64ft)

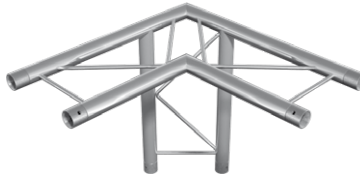

FT22-C23-H

1.3kg (2.88lb)
 2-way 135° corner horizontal
 0.5m (1.64ft)






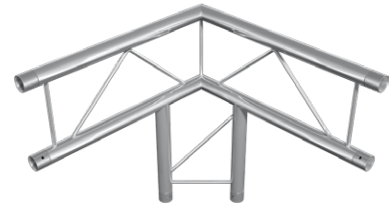
FT22-C23-V

 1.4kg (3.12lb)
 2-way 135° corner vertical
 0.5m (1.64ft)




FT22-C30-H

 1.9kg (4.09lb)
 3-way 90° corner horizontal
 0.5m (1.64ft)






FT22-C30-V

 1.8kg (4.07lb)
 3-way 90° corner vertical
 0.5m (1.64ft)






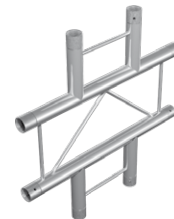
FT22-T35-H

 1.2kg (2.66lb)
 3-way horizontal T-junction
 0.5m (1.64ft)






FT22-T35-V

 1.4kg (3.19lb)
 3-way vertical T-junction
 0.5m (1.64ft)






FT22-C41-H

 1.3kg (2.78lb)
 4-way horizontal cross junction
 0.5m (1.64ft)






FT22-C41-V

 1.5kg (3.39lb)
 4-way vertical cross junction
 0.5m (1.64ft)






FT22-T42-H

 1.9kg (4.14lb)
 4-way horizontal T-junction
 0.5m (1.64ft)



FT22-T42-V

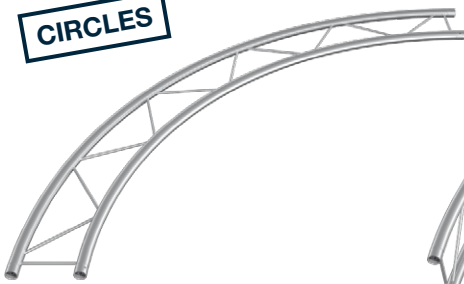
 1.9kg (4.14lb)
 4-way vertical T-junction
 0.5m (1.64ft)


FT22-C44-H

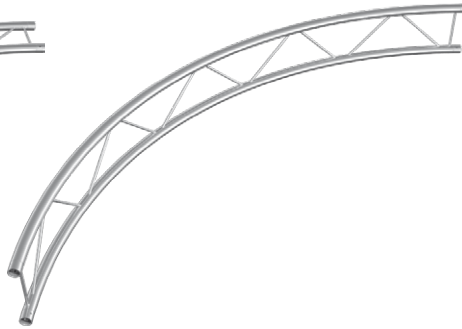
1.9kg (4.28lb)
 4-way 90 corner vertical
 0.5m (1.64ft)


FT22-C44-V

1.9kg (4.19lb)
 4-way 90 corner vertical
 0.5m (1.64ft)

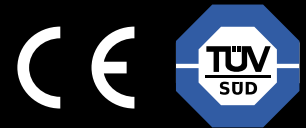
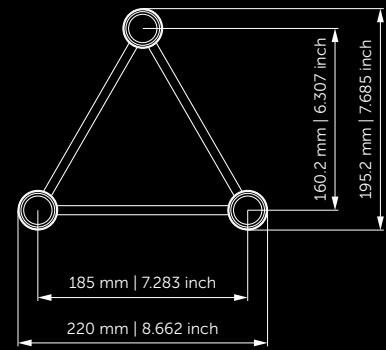
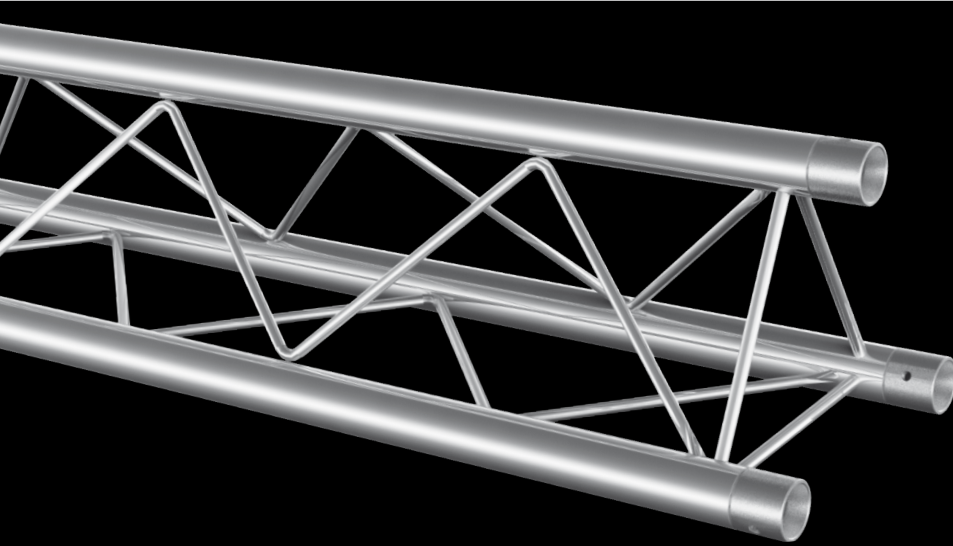
CIRCLES

FT22-CH

Circle horizontal
 various diameters


FT22-CV

Circle vertical
 various diameters





SPECIFICATIONS

TUBES	35x2 (1.4 x 0.08inch)
BRACES	8mm (0.3inch)
ALLOY	EN-AW 6060 T66



STRAIGHT SEGMENT LENGTHS

CODE	LENGTH		WEIGHT	
FT23-50	0.5m	1.64ft	1.4kg	3.04lb
FT23-75	0.75m	2.46ft	2.1kg	4.58lb
FT23-100	1m	3.28ft	2.5kg	5.50lb
FT23-125	1.25m	4.10ft	3.2kg	6.97lb
FT23-150	1.5m	4.92ft	3.6kg	7.96lb
FT23-200	2m	6.56ft	4.8kg	10.54lb
FT23-250	2.5m	8.20ft	5.9kg	12.99lb
FT23-300	3m	9.84ft	7.0kg	15.46lb
FT23-325	3.25m	10.66ft	7.8kg	17.22lb
FT23-350	3.5m	11.48ft	8.2kg	18.12lb
FT23-375	3.75m	12.30ft	8.9kg	19.71lb
FT23-400	4m	13.12ft	9.3kg	20.47lb

LOADING TABLES

	2m	3m	4m	6m	8m	10m
Distrib. Load [kg/m]	175	114	64	27	14	8
Deflection [mm]	1.5	4.9	8.9	20.1	36	56.8
Point load [kg]	262	171	127	81	56	41
Deflection [mm]	1.8	4	7.2	16.5	30	48.3
	6.56ft	9.84ft	13.12ft	19.68ft	26.24ft	32.81ft
Distrib. Load [lb/ft]	117.6	76.6	43	18.1	9.4	5.4
Deflection [inch]	0.1	0.2	0.4	0.8	1.4	2.2
Point load [lb]	577.7	377.1	280	178.6	123.5	90.4
Deflection [inch]	0.1	0.2	0.3	0.6	1.2	1.9

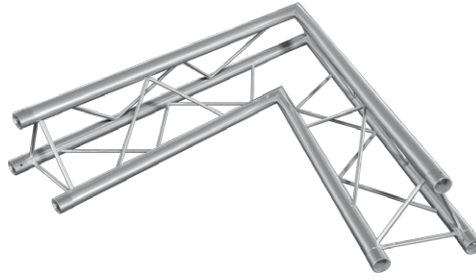
Loading tables are valid for static loads and spans with two supporting points. Spans must be supported at each end.

Contact structural engineer if there are more supporting points applied or dynamic and wind loads involved.

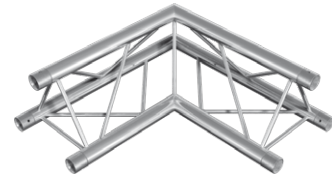
CORNERS

FT23-C19

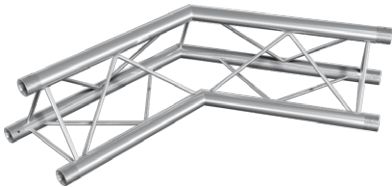
3.5kg (7.64lb)
 2-way 45° corner
 1m (3.28ft)


FT23-C20

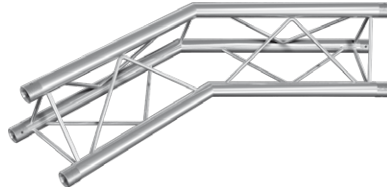
3.8kg (8.39lb)
 2-way 60° corner
 1m (3.28ft)


FT23-C21

2.0kg (4.45lb)
 2-way 90° corner apex up/down
 0.5m (1.64ft)


FT23-C22

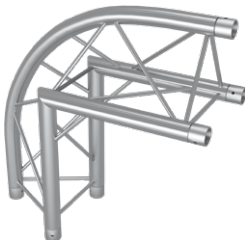
2.2kg (4.80lb)
 2-way 120° corner
 0.5m (1.64ft)


FT23-C23

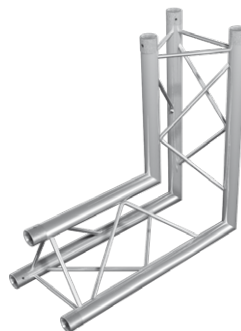
2.2kg (4.80lb)
 2-way 135° corner
 0.5m (1.64ft)


FT23-C24

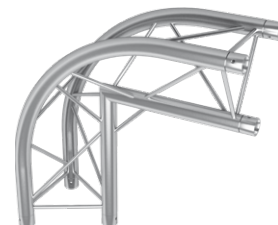
1.9kg (4.29lb)
 2-way 90° apex out
 0.5m (1.64ft)


FT23-C24-R

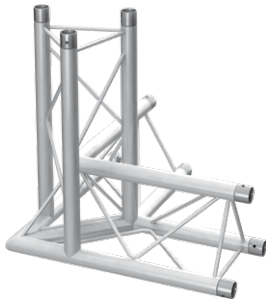
1.9kg (4.10lb)
 2-way 90° corner apex out rounded
 0.5m (1.64ft)


FT23-C25




2.2kg (4.81lb)
 2-way 90° corner apex in
 0.5m (1.64ft)

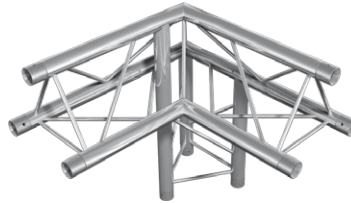

FT23-C25-R

2.0kg (7.09lb)
 2-way 90° corner apex in rounded
 0.5m (1.64ft)






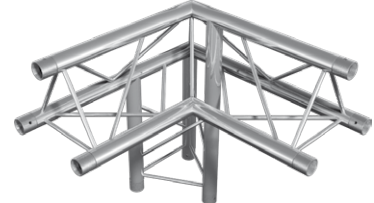
FT23-C30

 3.2 kg (7.09lb)
 3-way 90° corner apex down universal
 0.5m (1.64ft)






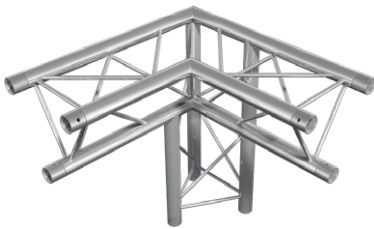
FT23-C31

 2.9kg (6.34lb)
 3-way 90° corner apex up right
 0.5m (1.64ft)






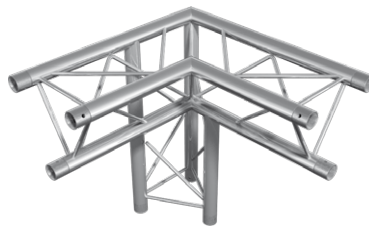
FT23-C32

 2.9kg (6.34lb)
 3-way 90° corner apex up left
 0.5m (1.64ft)






FT23-C33

 3.0kg (6.58lb)
 3-way 90° corner apex down right
 0.5m (1.64ft)






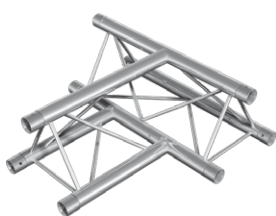
FT23-C34

 3.0kg (6.58lb)
 3-way 90° corner apex down left
 0.5m (1.64ft)






FT23-T35

 2.5kg (5.49lb)
 3-way vertical T-junction apex down
 0.5m (1.64ft)






FT23-T36

 2.1kg (4.65lb)
 3-way horizontal T-junction
 0.5m (1.64ft)






FT23-T37

 2.2kg (4.83lb)
 3-way vertical T-junction apex up
 0.5m (1.64ft)

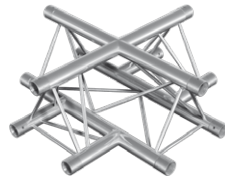


FT23-T38

 2.3kg (5.03lb)
 3-way vertical T-junction apex down
 0.5m (1.64ft)


FT23-T39

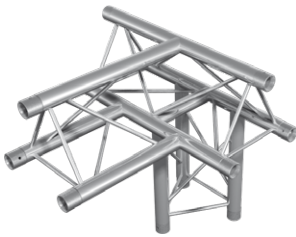
2.2kg (4.83lb)
 3-way vertical T-junction
 0.5m (1.64ft)


FT23-C41

2.4kg (5.22lb)
 4-way cross junction
 0.5m (1.64ft)


FT23-T42

3.1kg (6.82lb)
 4-way T-junction apex down
 0.5m (1.64ft)


FT23-T43

3.0kg (6.55lb)
 4-way T-junction apex up
 0.5m (1.64ft)


FT23-C44

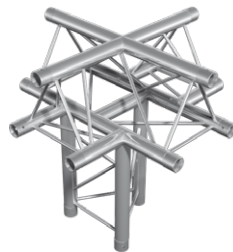
3.2kg (6.95lb)
 4-way 90° corner right
 0.5m (1.64ft)


FT23-C45

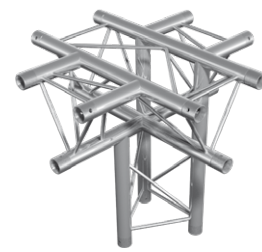
3.2kg (6.95lb)
 4-way 90° corner left
 0.5m (1.64ft)


FT23-T51

3.2kg (7.15lb)
 5-way T-junction apex down
 0.5m (1.64ft)

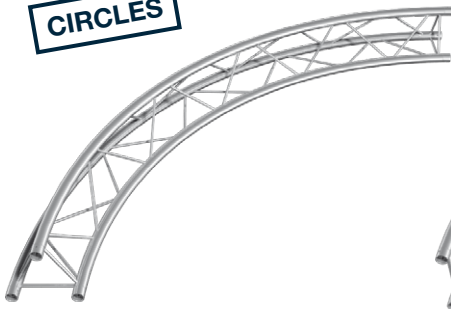

FT23-C52

3.4kg (7.45lb)
 5-way cross junction apex up
 0.5m (1.64ft)


FT23-C53

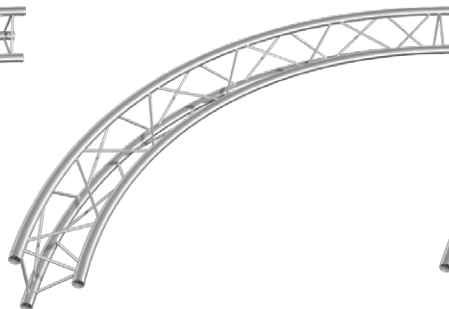
3.3kg (7.32lb)
 5-way cross junction apex down
 0.5m (1.64ft)

CIRCLES



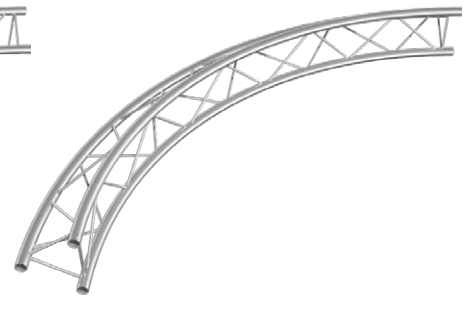
FT23-C1

apex up/down



FT23-C2

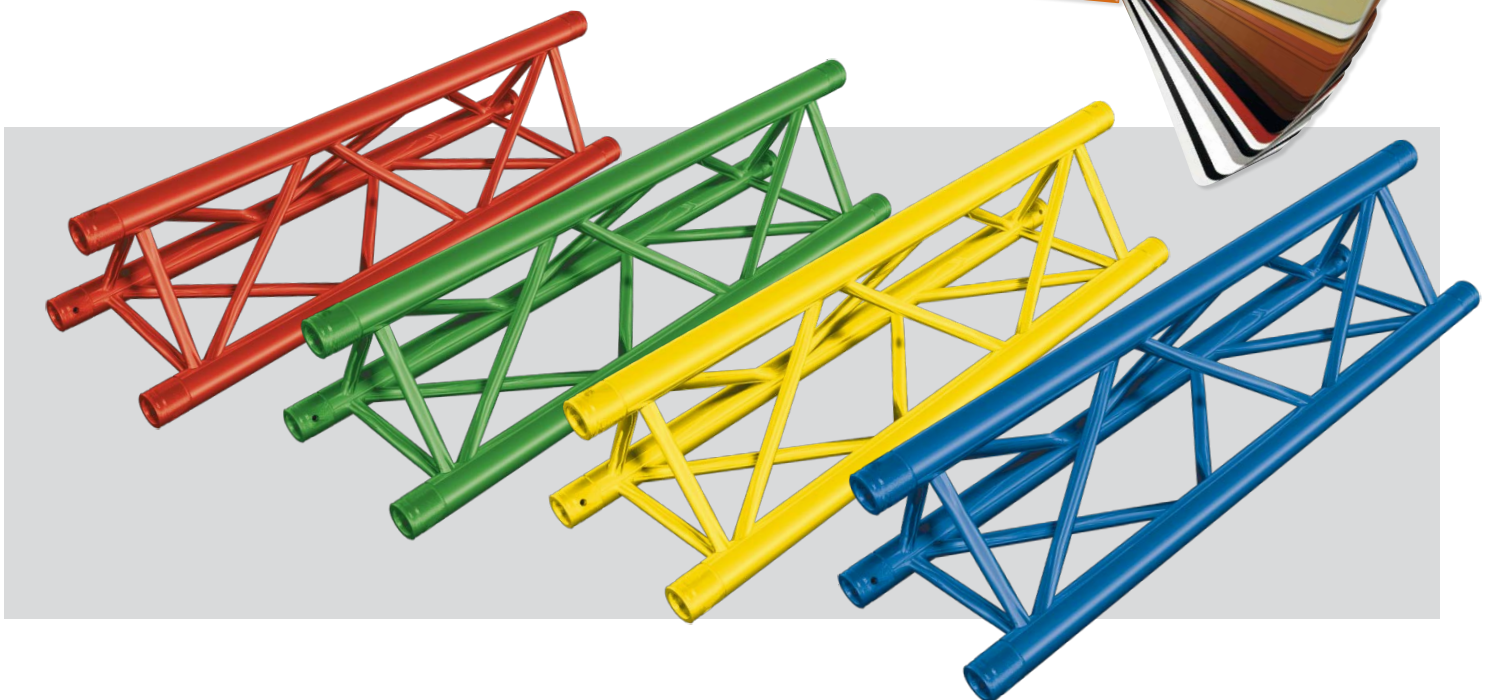
apex in



FT23-C3

apex out

Various types of colored powder coating are available for any type of trussing line. Available in RAL range. See samples below.





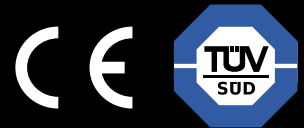
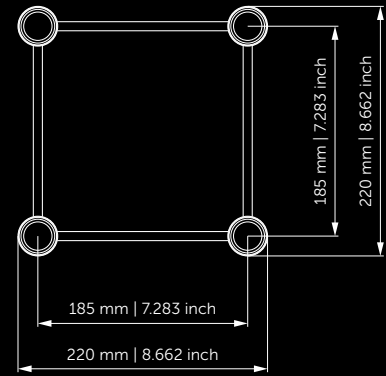
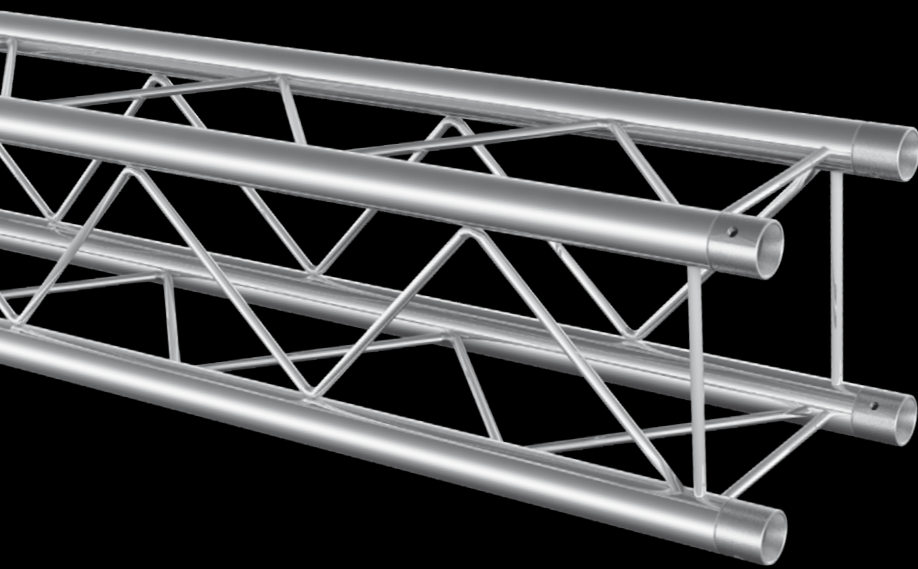
THE ROBOTIC WELDING IN TAF

We are proud to announce that as the first company in truss manufacturing industry we achieved to enter the new era of automated welding production. **TAF company** has worked on the development of the new truss welding robot over last 2 years. Although there were some minor setbacks during the time, we managed to reach our goal of fully operational robotic welding machine which is capable of serial straight truss segments production with great precision.

The robotic welding station is equipped with Fronius CM welding machines and the welding method is MIG. The station itself has dimensions of 20x6x4m and is operated by one specially trained operator. There are three KUKA robotic arms in the welding station properly programmed in order to be able to produce any length in the **FT32, HT32, FT34, HT34 and Falconn truss series up to 4m of the total truss length**. Truss main tubes are placed into the fixing points inside the station by the operator. The braces preparation is automated and their positioning is **laser controlled** and thus the uniformity and precision of welding is ensured at all times. The automated welding station is also equipped with **cleaning procedure** that makes sure there are no smudges and material remnants after the welding is finished. In this way the product is ready to go to the client right after the robotic production process is completed.

There are several advantages that the automated aluminum truss manufacturing process brings to the table. The structures produced at the station are identical and there is very little room for production flaws such as dimensions and welding failures. However, we still do follow the **high quality standards** that we claim to hold at TAF and each product that comes out of the robotic welding machine is both visually and mechanically checked for any possible discrepancies. The actual welding process is **two times faster** compared to the traditional hand welding of our best welders. If we take into account also the fact that the robot can work **24/7**, it creates a substantial increase in the factory product volume output and speeds up the turnaround process significantly which results in again better and faster service for the customer in delivering **high quality** products to their premises.

We at **TAF** see the future of fast and **high quality** manufacturing processes in automatization and proper training of our workers. By developing this tailor made working station for our production needs as the first in the world, we entered the realm of the 4.0 industry and we thrive to continue in this way in the coming years. The extra level in efficiency, productivity and quality represented by this robotic welding station is a commitment for our future. It is the first but **definitely not the last step** in which we plan to innovate our production.



SPECIFICATIONS

**TECH
SPECS**

TUBES	35x2 (1.4 x 0.08inch)
BRACES	8mm (0.3inch)
ALLOY	EN-AW 6060 T66

STRAIGHT SEGMENT LENGTHS

CODE	LENGTH		WEIGHT	
FT24-50	0.5m	1.64ft	1.8kg	4.06lb
FT24-100	1m	3.28ft	2.6kg	5.80lb
FT24-150	1.5m	4.92ft	4.8kg	10.61lb
FT24-200	2m	6.56ft	6.4kg	14.05lb
FT24-250	2.5m	8.20ft	7.9kg	17.32lb
FT24-300	3m	9.84ft	9.3kg	20.61lb
FT24-350	3.5m	11.48ft	11.0kg	24.16lb
FT24-400	4m	13.12ft	12.4kg	27.30lb

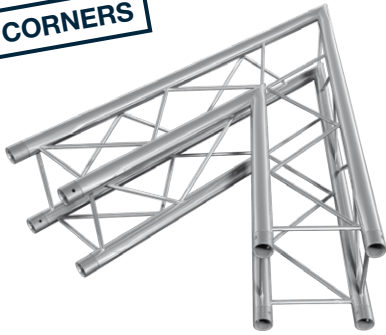
LOADING TABLES

	2m	3m	4m	6m	8m	10m
Distrib. Load [kg/m]	202	134	100	65	35	21
Deflection [mm]	0.9	2.9	6.9	23.1	41.3	64.8
Point load [kg]	405	354	286	195	141	107
Deflection [mm]	1.4	4.1	7.9	18.7	33.7	53.6
	6.56ft	9.84ft	13.12ft	19.68ft	26.24ft	32.81ft
Distrib. Load [lb/ft]	135.8	90.1	67.2	43.7	23.5	14.1
Deflection [inch]	0	0.1	0.3	0.9	1.6	2.6
Point load [lb]	893	780.6	630.6	430	310.9	235.9
Deflection [inch]	0.1	0.2	0.3	0.7	1.3	2.1

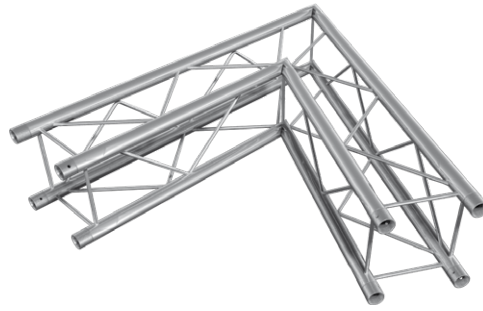
Loading tables are valid for static loads and spans with two supporting points.

Spans must be supported at each end.

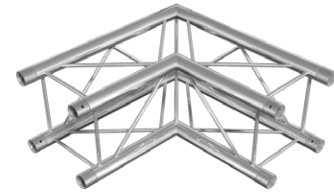
Contact structural engineer if there are more supporting points applied or dynamic and wind loads involved.

CORNERS

FT24-C19

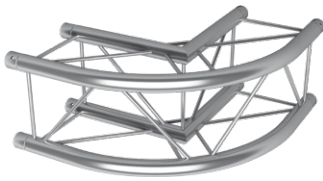
4.8kg (10.49lb)
 2-way 45° corner
 1m (3.28ft)


FT24-C20

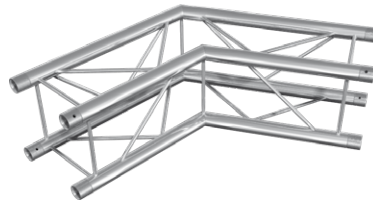
5.1kg (11.26lb)
 2-way 60° corner
 1m (3.28ft)


FT24-C21

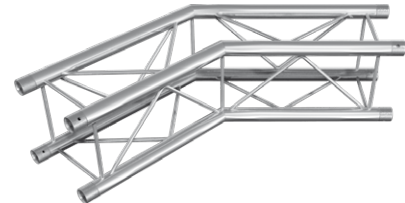
2.7kg (5.92lb)
 2-way 90° corner
 0.5m (1.64ft)


FT24-C21-R

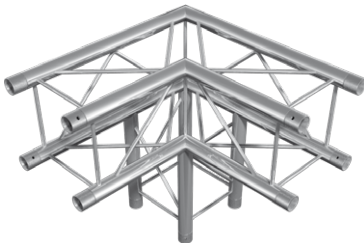
2.5kg (5.45lb)
 2-way 90° corner rounded
 0.5m (1.64ft)


FT24-C22

2.9kg (6.31lb)
 2-way 120° corner
 0.5m (1.64ft)


FT24-C23

3.0kg (6.58lb)
 2-way 135° corner
 0.5m (1.64ft)


FT24-C30

3.7kg (8.07lb)
 3-way 90° corner
 0.5m (1.64ft)


FT24-T35




2.7kg (6.05lb)
 3-way T-junction
 0.5m (1.64ft)

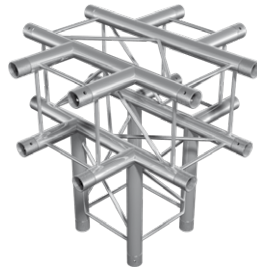

FT24-C41

2.8kg (6.24lb)
 4-way cross junction
 0.5m (1.64ft)






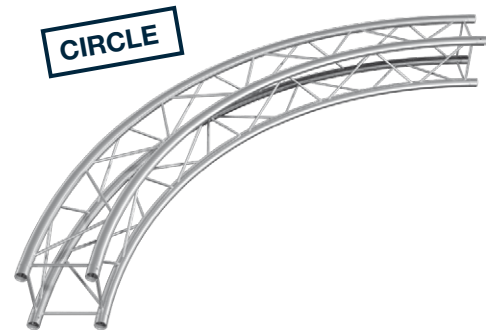
FT24-T42

 3.7kg (8.19lb)
 4-way 90° corner
 0.5m (1.64ft)




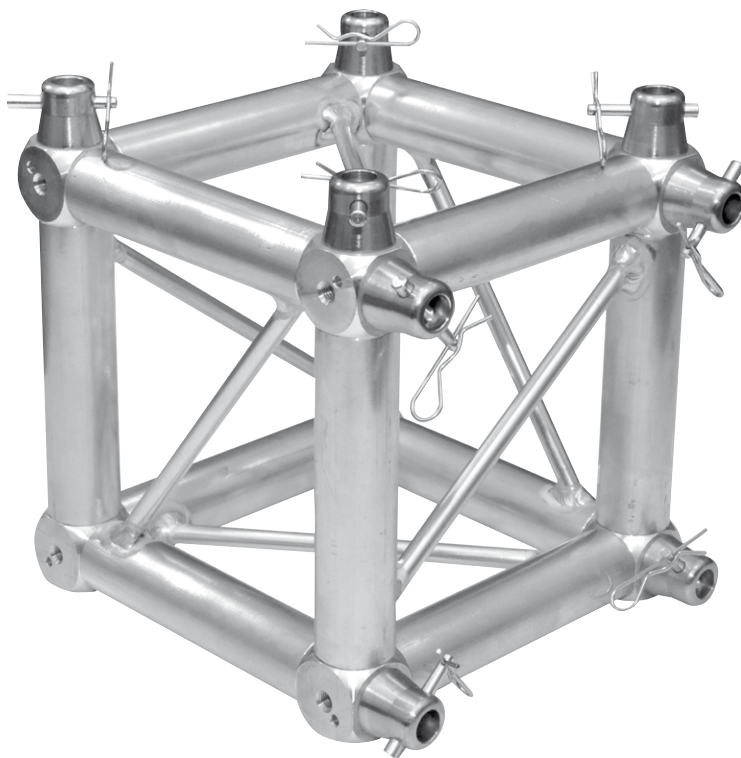
FT24-C55

 3.8kg (8.38lb)
 5-way T-junction
 0.5m (1.64ft)






FT24-C

 Circle
various diameters



FT24-MCB

 3.8kg (8,42lb)
 Universal junction box
 0.22m (0.72ft)

Includes 2 connection sets for two ways.





#2112

Connection set FT21



#2124

Connection set FT22



#2135

Connection set FT23



#2146

Connection set FT24



#2101

Conical connector diam. 30mm (1.18") FT21-24



#2150

Pin FT21-24



#2152

Safety clip FT21-24



#2110

Halfconnector male aluminium with thread M8 FT21-24



#2116

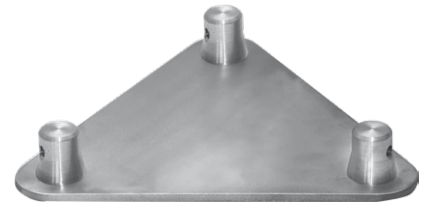
Steel halfconnector FT21-24


#2151

Steel pin with thread FT21-24


#2109

Endcap FT21-24


#2002

Base plate for FT23 male

#2002/W

Wall plate for FT23 male


#2003

Base plate for FT24 male

#2003/W

Wall plate for FT24 male


#2004

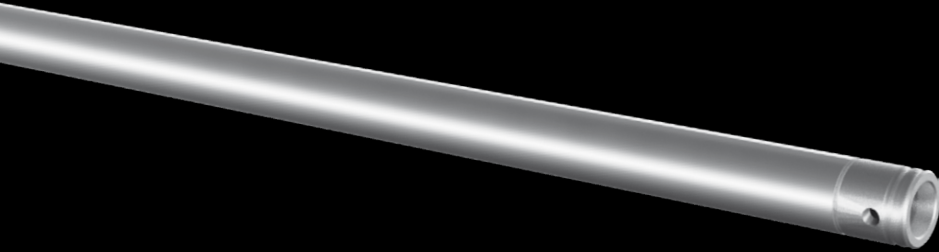
Base plate for FT22 male

#2004/W

Wall plate for FT22 male


#3005

 Universal base plate; aluminium
3x1ft; FT23, FT24, FT33, HT33,
FT34, HT34



SPECIFICATIONS

TUBES	50x2mm (2 x 0.08inch)
ALLOY	EN-AW 6082 T6



STRAIGHT SEGMENT LENGTHS

CODE	LENGTH		WEIGHT	
FT31-50	0.5m	1.64ft	0.7kg	1.55lb
FT31-100	1m	3.28ft	1.1kg	2.45lb
FT31-150	1.5m	4.92ft	1.5kg	3.36lb
FT31-200	2m	6.56ft	1.9kg	4.26lb
FT31-250	2.5m	8.20ft	2.3kg	5.16lb
FT31-300	3m	9.84ft	2.8kg	6.07lb

LOADING TABLES

	1m	2m	3m	4m
Distrib. Load [kg/m]	438	109	49	27
Deflection [mm]	9.4	37.4	84.2	149.7
Point load [kg]	219	109	73	55
Deflection [mm]	7.5	29.9	67.4	119.8
	3.28ft	6.56ft	9.84ft	13.12ft
Distrib. Load [lb/ft]	294.4	73.3	32.9	18.1
Deflection [inch]	0.4	1.5	3.3	5.9
Point load [lb]	482.9	240.3	161	121.3
Deflection [inch]	0.3	1.2	2.7	4.7

Loading tables are valid for static loads and spans with two supporting points.

Spans must be supported at each end.

Contact structural engineer if there are more supporting points applied or dynamic and wind loads involved.

CORNERS



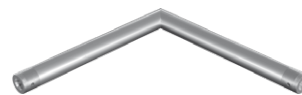
FT31-C19

1.1kg (2.46lb)
 2-way 45° corner
 0.5m (1.64ft)



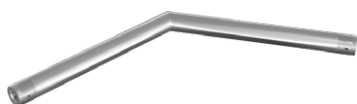
FT31-C20

1.1kg (2.46lb)
 2-way 60° corner
 0.5m (1.64ft)



FT31-C21

1.1kg (2.46lb)
 2-way 90° corner
 0.5m (1.64ft)



FT31-C22

1.1kg (2.46lb)
 2-way 120° corner
 0.5m (1.64ft)



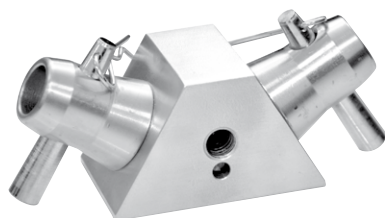
FT31-C23

1.1kg (2.46lb)
 2-way 135° corner
 0.5m (1.64ft)



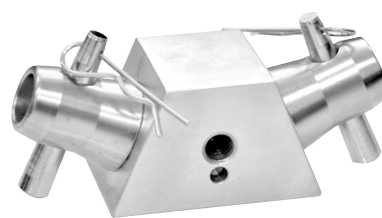
#3191

Multi junction cube



#3192

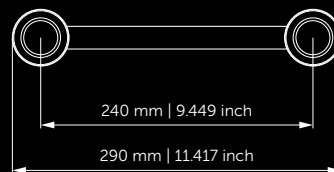
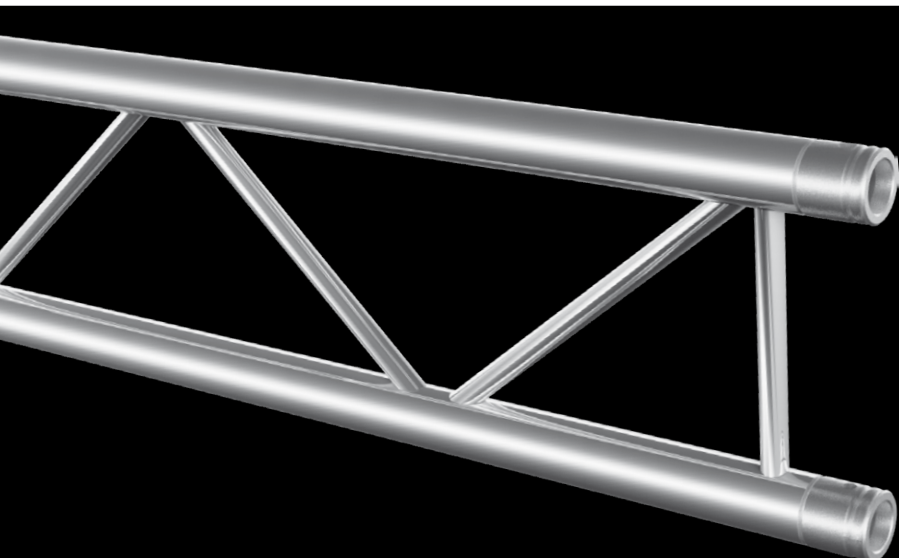
Multi junction cube 120°



#3193

Multi junction cube 135°

QUICKLOCK LINE FT32 / HT32 double



SPECIFICATIONS FT32

TUBES	50x2mm (2 x 0.08inch)
BRACES	20x2mm (0.8 x 0.08inch)
ALLOY	EN-AW 6082 T6



**TECH
SPECS**

SPECIFICATIONS HT32

TUBES	50x3mm (2 x 0.12inch)
BRACES	20x2mm (0.8 x 0.08inch)
ALLOY	EN-AW 6082 T6



STRAIGHT SEGMENT LENGTHS FT32

CODE	LENGTH		WEIGHT	
FT32-50	0.5m	1.64ft	1.7kg	3.66lb
FT32-75	0.75m	2.46ft	2.1kg	4.70lb
FT32-100	1m	3.28ft	2.6kg	5.80lb
FT32-150	1.5m	4.92ft	3.6kg	8.03lb
FT32-200	2m	6.56ft	4.6kg	10.23lb
FT32-250	2.5m	8.20ft	5.7kg	12.46lb
FT32-300	3m	9.84ft	6.7kg	14.66lb
FT32-350	3.5m	11.48ft	7.7kg	16.87lb
FT32-400	4m	13.12ft	8.7kg	19.10lb
FT32-450	4.5m	14.76ft	9.7kg	21.30lb
FT32-500	5m	16.40ft	10.7kg	23.53lb

STRAIGHT SEGMENT LENGTHS HT32

CODE	LENGTH		WEIGHT	
HT32-50	0.5m	1.64ft	1.9kg	4.26lb
HT32-75	0.75m	2.46ft	2.6kg	5.76lb
HT32-100	1m	3.28ft	3.3kg	7.23lb
HT32-150	1.5m	4.92ft	4.7kg	10.30lb
HT32-200	2m	6.56ft	6.1kg	13.34lb
HT32-250	2.5m	8.20ft	7.4kg	16.38lb
HT32-300	3m	9.84ft	8.8kg	19.45lb
HT32-350	3.5m	11.48ft	10.2kg	22.47lb
HT32-400	4m	13.12ft	11.6kg	25.56lb
HT32-450	4.5m	14.76ft	13.0kg	28.67lb
HT32-500	5m	16.40ft	14.4kg	31.64lb

LOADING TABLES FT32 / HT32

	2m		4m		6m		8m		10m		12m	
Distrib. Load [kg/m]	673	710	166	254	76	115	43	64	27	40	18	27
Deflection [mm]	2.3	1.7	9.3	9.6	21.9	22.3	39.8	40.4	63.7	64.2	94	94.1
Point load [kg]	673	1027	333	508	228	344	170	256	135	202	110	165
Deflection [mm]	1.9	1.9	7.4	7.7	17.6	18	32.3	32.8	52.5	52.5	77.7	77.5
	6.56ft		13.12ft		19.68ft		26.24ft		32.81ft		39.37ft	
Distrib. Load [lb/ft]	452.3	477.2	111.6	170.7	51.1	77.3	28.9	43	18.1	26.9	12.1	18.1
Deflection [inch]	0.1	0.1	0.4	0.4	0.9	0.9	1.6	1.6	2.5	2.5	3.7	3.7
Point load [lb]	1484	2264.5	734.3	1120.1	502.7	758.5	374.9	564.5	297.7	445.4	242.6	363.8
Deflection [inch]	0.1	0.1	0.3	0.3	0.7	0.7	1.3	1.3	2.1	2.1	3.1	3.1

Loading tables are valid for static loads and spans with two supporting points.

Spans must be supported at each end.

Contact structural engineer if there are more supporting points applied or dynamic and wind loads involved.

The listed loads are verified for simply supported beam.

The truss needs to be secured against horizontal movement every 1m for the loading tables to be valid.

CORNERS



FT32-C19-H

4.0kg
(8.81lb)
2-way 45° corner horizontal
1m (3.28ft)



HT32-C19-H

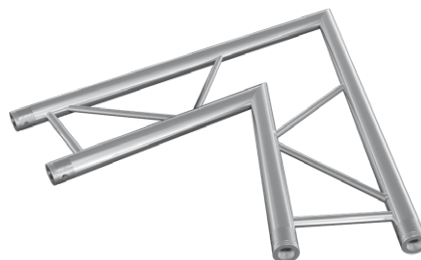
5.2kg
(11.57lb)

FT32-C19-V

4.6kg
(10.09lb)
2-way 45° corner vertical
1m (3.28ft)

HT32-C19-V

6.0kg
(13.19lb)

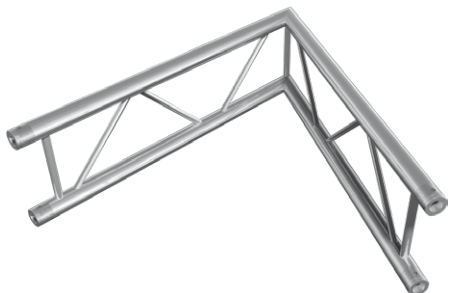


FT32-C20-H

3.8kg
(8.28lb)
2-way 60° corner horizontal
1m (3.28ft)

HT32-C20-H

4.8kg
(10.69lb)

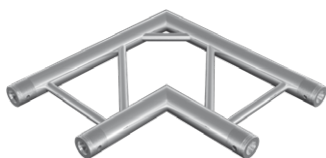


FT32-C20-V

4.6kg
(10.09lb)
2-way 60° corner vertical
1m (3.28ft)

HT32-C20-V

6.0kg
(13.19lb)



FT32-C21-H

2.2kg
(4.80lb)
2-way 90° corner horizontal
0.5m (1.64ft)

HT32-C21-H

2.7kg
(5.86lb)

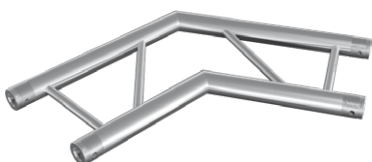


FT32-C21-V

2.6kg
(5.69lb)
2-way 90° corner vertical
0.5m (1.64ft)

HT32-C21-V

3.2kg
(7.12lb)

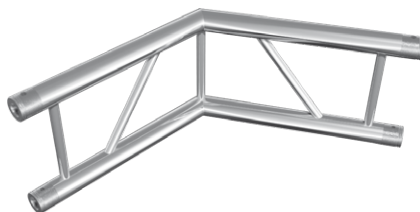


FT32-C22-H

2.3kg
(5.05lb)
2-way 120° corner horizontal
0.5m (1.64ft)

HT32-C22-H

2.8kg
(6.25lb)

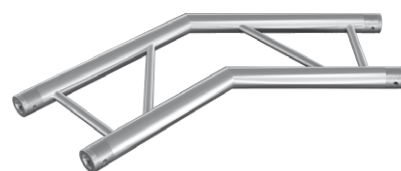


FT32-C22-V

2.6kg
(5.68lb)
2-way 120° corner vertical
0.5m (1.64ft)

HT32-C22-V

3.2kg
(7.12lb)



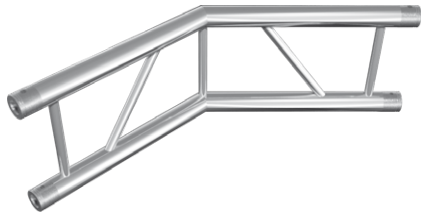
FT32-C23-H

2.4kg
(5.19lb)
2-way 135° corner horizontal
0.5m (1.64ft)

HT32-C23-H

2.9kg
(6.46lb)

QUICKLOCK LINE FT32 / HT32 double



FT32-C23-V

2.6kg
(5.69lb)

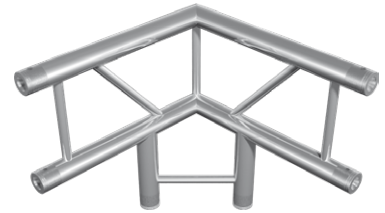
2-way 135° corner vertical
0.5m (1.64ft)



FT32-C30-H

3.4kg
(7.44lb)

3-way 90° corner horizontal
0.5m (1.64ft)



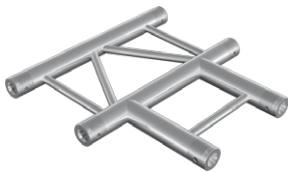
FT32-C30-V

3.4kg
(7.41lb)

3-way 90° corner vertical
0.5m (1.64ft)

HT32-C30-V

4.1kg
(9.07lb)



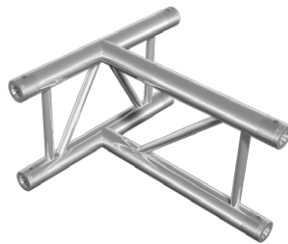
FT32-T35-H

2.4kg
(5.39lb)

3-way horizontal T-junction
0.5m (1.64ft)

HT32-T35-H

2.8kg
(6.21lb)



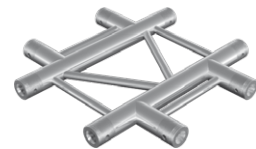
FT32-T35-V

2.9kg
(6.41lb)

3-way vertical T-junction
0.5m (1.64ft)

HT32-T35-V

3.5kg
(7.68lb)



FT32-C41-H

2.7kg
(6.05lb)

4-way horizontal cross junction
0.5m (1.64ft)

HT32-C41-H

3.1kg
(6.79lb)

FT32-C41-V

3.3kg
(7.23lb)

4-way vertical cross junction
0.5m (1.64ft)

HT32-C41-V

3.8kg
(8.35lb)

FT32-T42-H

3.7kg
(8.14lb)

4-way horizontal T-junction
0.5m (1.64ft)

HT32-T42-H

4.4kg
(9.64lb)

FT32-T42-V

3.7kg
(8.14lb)

4-way vertical T-junction
0.5m (1.64ft)

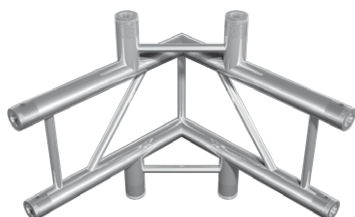
HT32-T42-V

4.4kg
(9.64lb)



FT32-C44-H

3.7kg (8.07lb)
 4-way 90° corner vertical
 0.5m (1.64ft)



HT32-C44-H

4.4kg (9.65lb)

FT32-C44-V

3.8kg (8.37lb)
 4-way 90° corner vertical
 0.5m (1.64ft)

HT32-C44-V

4.5kg (9.96lb)



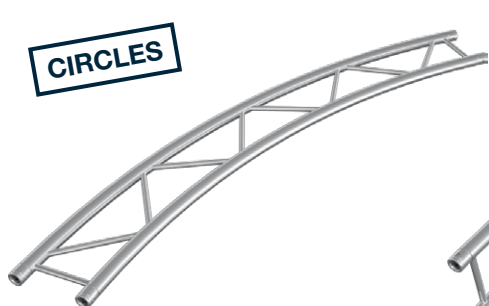
FT32-31AD

1kg (2.21lb)

HT32-31AD

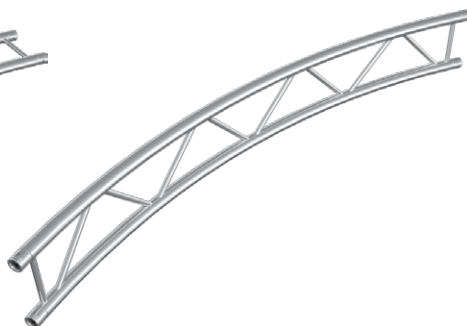
1.1kg (2.43lb)
 FT32-FT31 Adapter / HT32-HT31 Adapter

CIRCLES



FT32-CH

Circle horizontal various diameters



HT32-CH

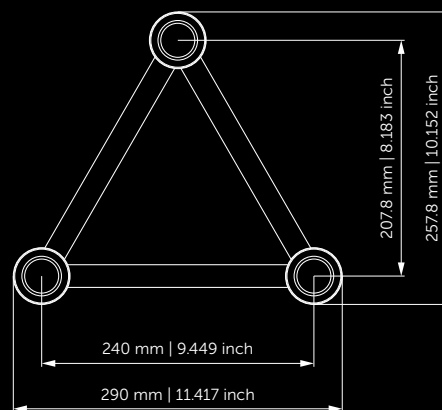
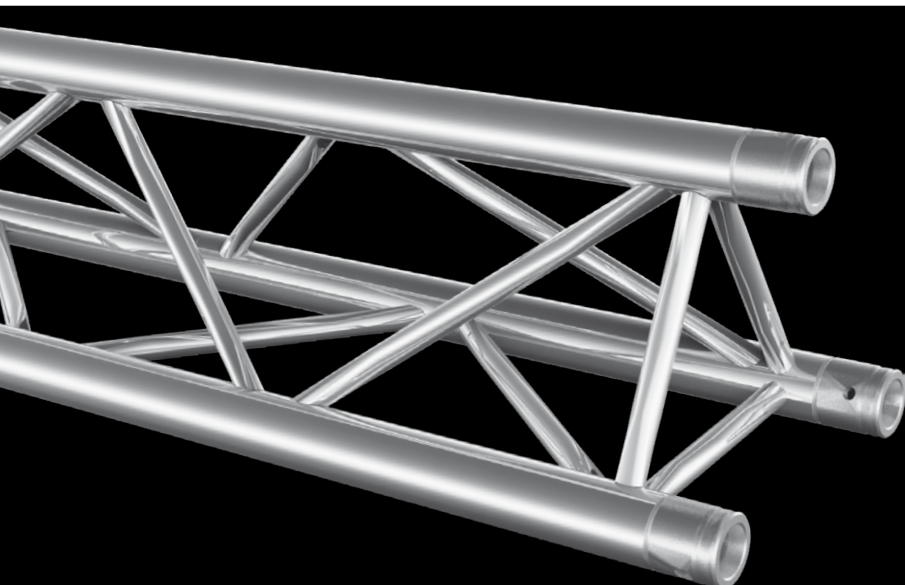
FT32-CV

Circle vertical various diameters

HT32-CV



QUICKLOCK LINE FT33 / HT33 triangle



SPECIFICATIONS FT33

TUBES	50x2mm (2 x 0.08inch)
BRACES	20x2mm (0.8 x 0.08inch)
ALLOY	EN-AW 6082 T6



SPECIFICATIONS HT33

TUBES	50x3mm (2 x 0.12inch)
BRACES	20x2mm (0.8 x 0.08inch)
ALLOY	EN-AW 6082 T6

STRAIGHT SEGMENT LENGTHS FT33

CODE	LENGTH		WEIGHT	
FT33-50	0.5m	1.64ft	2.9kg	6.35lb
FT33-75	0.75m	2.46ft	3.7kg	8.11lb
FT33-87,5	0.875m	2.87ft	4.2kg	9.17lb
FT33-100	1m	3.28ft	4.6kg	10.08lb
FT33-125	1.25m	4.10ft	5.5kg	12.04lb
FT33-150	1.5m	4.92ft	6.4kg	14.00lb
FT33-200	2m	6.56ft	8.1kg	17.93lb
FT33-250	2.5m	8.20ft	9.9kg	21.85lb
FT33-300	3m	9.84ft	11.7kg	25.78lb
FT33-350	3.5m	11.48ft	13.5kg	29.72lb
FT33-400	4m	13.12ft	15.3kg	33.65lb
FT33-450	4.5m	14.76ft	17.0kg	37.57lb
FT33-500	5m	16.40ft	18.8kg	41.50lb

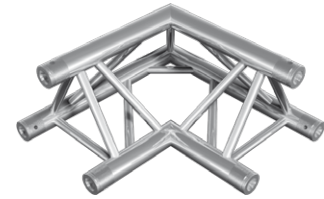
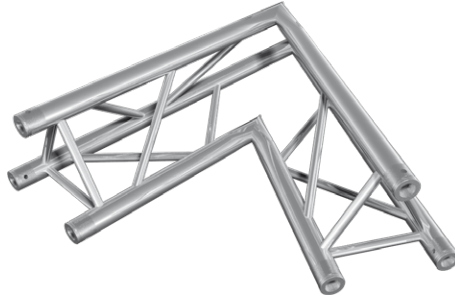
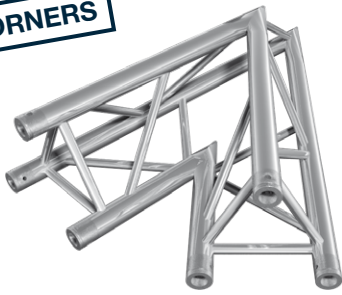
STRAIGHT SEGMENT LENGTHS HT33

CODE	LENGTH		WEIGHT	
HT33-50	0.5m	1.64ft	3.3kg	7.23lb
HT33-75	0.75m	2.46ft	4.4kg	9.68lb
HT33-87,5	0.875m	2.87ft	4.4kg	9.70lb
HT33-100	1m	3.28ft	5.5kg	12.22lb
HT33-125	1.25m	4.10ft	6.8kg	14.93lb
HT33-150	1.5m	4.92ft	7.9kg	17.40lb
HT33-200	2m	6.56ft	10.2kg	22.58lb
HT33-250	2.5m	8.20ft	12.6kg	27.76lb
HT33-300	3m	9.84ft	15.0kg	32.96lb
HT33-350	3.5m	11.48ft	17.3kg	38.15lb
HT33-400	4m	13.12ft	19.7kg	43.33lb
HT33-450	4.5m	14.76ft	22.0kg	48.51lb
HT33-500	5m	16.40ft	24.4kg	53.69lb

LOADING TABLES FT33 / HT33

	2m		4m		6m		8m		10m		12m	
Distrib. Load [kg/m]	761	1231	206	338	92	150	51	81	31	50	20	32
Deflection [mm]	2.6	2.9	11.5	12.8	26.8	29.4	48.8	51.7	75.2	80.6	105.6	112.7
Point load [kg]	761	1321	412	675	277	450	206	324	154	249	117	190
Deflection [mm]	2.1	2.5	9.3	10.3	21.7	23.7	39.8	42.1	62	66.1	88.3	93.5
	6.56ft		13.12ft		19.68ft		26.24ft		32.81ft		39.37ft	
Distrib. Load [lb/ft]	511.4	827.3	138.4	227.2	61.8	100.8	34.3	54.4	20.8	33.6	13.4	21.5
Deflection [inch]	0.1	0.1	0.5	0.5	1.1	1.2	1.9	2	3	3.2	4.2	4.4
Point load [lb]	1678	2912.8	908.5	1488.4	610.8	992.3	454.2	714.4	339.6	549	258	419
Deflection [inch]	0.1	0.1	0.4	0.4	0.9	0.9	1.6	1.7	2.4	2.6	3.5	3.7

Loading tables are valid for static loads and spans with two supporting points. Spans must be supported at each end. Contact structural engineer if there are more supporting points applied or dynamic and wind loads involved.

CORNERS

FT33-C19

 5.7kg
(12.59lb)


2-way 45° corner



1m (3.28ft)

HT33-C19

 7.2kg
(15.79lb)

FT33-C20

 6.1kg
(13.45lb)


2-way 60° corner



1m (3.28ft)

HT33-C20

 7.7kg
(17.06lb)

FT33-C21

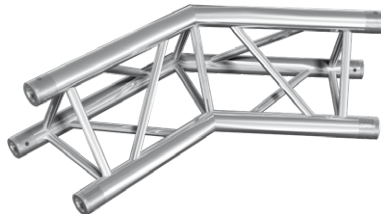
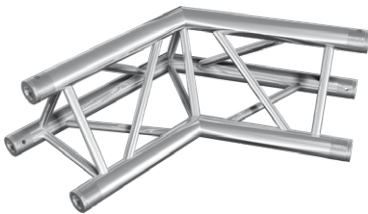
 3.7kg
(8.19lb)


2-way 90° corner



0.5m (1.64ft)

HT33-C21

 4.4kg
(9.79lb)

FT33-C22

 4.1kg
(8.99lb)


2-way 120° corner



0.5m (1.64ft)

HT33-C22

 4.9kg
(10.79lb)

FT33-C23

 4.2kg
(9.19lb)


2-way 135° corner



0.5m (1.64ft)

HT33-C23

 5.0kg
(11.08lb)

FT33-C24

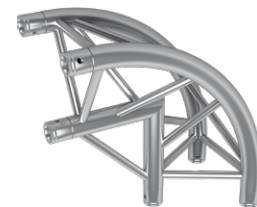
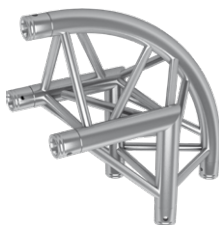
 3.7kg
(8.15lb)


2-way 90° corner apex out



0.5m (1.64ft)

HT33-C24

 4.4kg
(9.66lb)

FT33-C24-R


3.5kg (7.78lb)



2-way 90° corner apex out rounded



0.5m (1.64ft)

FT33-C25

 3.9kg
(8.61lb)


2-way 90° corner apex in



0.5m (1.64ft)

HT33-C25

 4.7kg
(10.45lb)

FT33-C25-R


3.5kg (7.82lb)

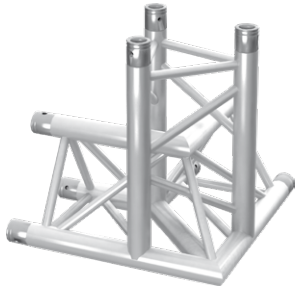


2-way 90° corner apex in rounded



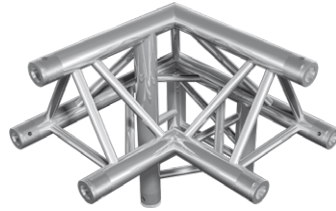
0.5m (1.64ft)

QUICKLOCK LINE FT33 / HT33 triangle



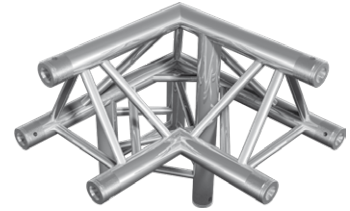
FT33-C30

6.0kg
(13.24lb)
3-way 90° corner apex
down universal
0.5m (1.64ft)



FT33-C31

5.3kg
(11.76lb)
3-way 90° corner apex up
right
0.5m (1.64ft)



FT33-C32

5.3kg
(11.77lb)
3-way 90° corner apex up
left
0.5m (1.64ft)

HT33-C30

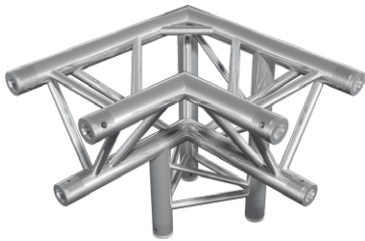
7.3kg
(16.07lb)

HT33-C31

6.4kg
(14.02lb)

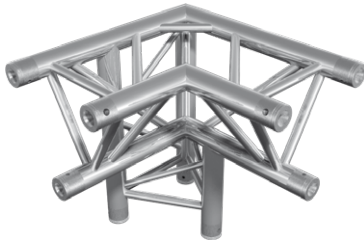
HT33-C32

6.4kg
(14.02lb)



FT33-C33

5.6kg
(12.29lb)
3-way 90° corner apex
down right
0.5m (1.64ft)



FT33-C34

5.6kg
(12.29lb)
3-way 90° corner apex
down left
0.5m (1.64ft)



FT33-T35

5.1kg
(11.21lb)
3-way vertical T-junction
apex down
0.5m (1.64ft)

HT33-C33

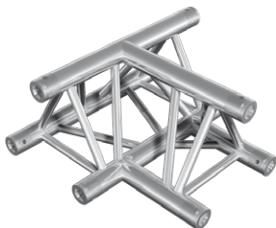
6.7kg
(14.73lb)

HT33-C34

6.7kg
(14.73lb)

HT33-T35

6.0kg
(13.29lb)



FT33-T36

4.3kg
(9.54lb)
3-way horizontal T-junction
0.5m (1.64ft)



FT33-T37

4.5kg
(9.93lb)
3-way horizontal T-junction
apex up
0.5m (1.64ft)



FT33-T38

4.7kg
(10.30lb)
3-way vertical T-junction
apex down
0.5m (1.64ft)

HT33-T36

4.9kg
(10.88lb)

HT33-T37

5.2kg
(11.49lb)

HT33-T38

5.5kg
(12.02lb)


FT33-T39

 4.5kg
(9.92lb)

 3-way vertical T-junction
 0.5m (1.64ft)

HT33-T39

 5.2kg
(11.47lb)

FT33-C41

 4.9kg
(10.76lb)

 4-way cross junction
 0.5m (1.64ft)

HT33-C41

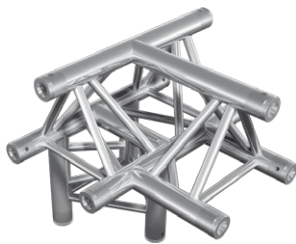
 5.5kg
(12.06lb)

FT33-T42

 6.2kg
(13.64lb)

 4-way T-junction apex
down
 0.5m (1.64ft)

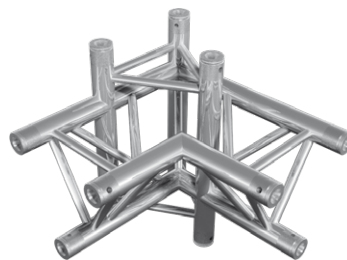
HT33-T42

 5.2kg
(11.47lb)

FT33-T43

 6.05kg
(13.34lb)

 4-way T-junction apex up
 0.5m (1.64ft)

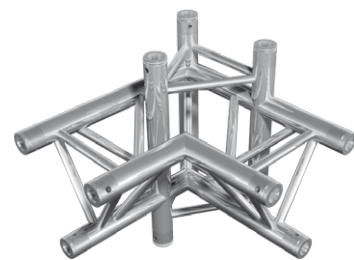
HT33-T43

 7.4kg
(16.31lb)

FT33-C44

 6.15kg
(13.56lb)

 4-way 90° corner right
 0.5m (1.64ft)

HT33-C44

 7.7kg
(16.98lb)

FT33-C45

 6.15kg
(13.56lb)

 4-way 90° corner left
 0.5m (1.64ft)

HT33-C45

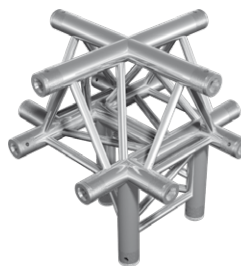
 7.7kg
(16.98lb)

FT33-T51

 6.8kg
(14.99lb)

 5-way T-junction apex
down
 0.5m (1.64ft)

HT33-T51

 7.8kg
(17.15lb)

FT33-C52

 6.5kg
(14.33lb)

 5-way cross junction
apex up
 0.5m (1.64ft)

HT33-C52

 7.6kg
(16.73lb)

FT33-C53

 6.7kg
(14.70lb)

 5-way cross junction
apex down
 0.5m (1.64ft)

HT33-C53

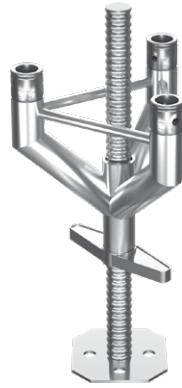
 6.7kg
(16.81lb)

QUICKLOCK LINE FT33 / HT33 triangle



FT33-T61

7.3kg
(16.04lb)
6-way T-junction
0.5m (1.64ft)



HT33-T61

8.2kg
(18.16lb)

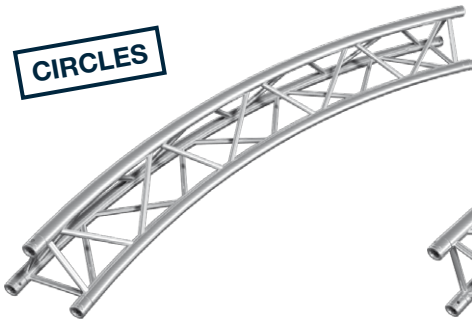
FT33-BLF

1.6kg
(3.53lb)

Levelling base

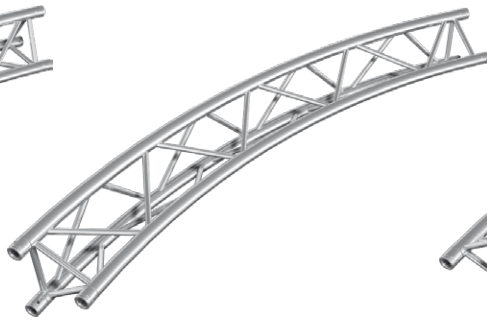
2kg (4.41lb)

CIRCLES



FT33-C1

Circle apex up/down
various diameters



HT33-C1

FT33-C2

Circle apex in
various diameters

HT33-C2

FT33-C3

Circle apex out
various diameters

HT33-C3





QR code identification

PRODUCT IDENTIFICATION AND TRACING

It has become standard throughout EU that each product is properly labeled and has to be traceable regarding materials, welding procedure, quality check and final packing. There are several ways in which this can be achieved.

Firstly, in order to be able to identify a truss product as made by TAF we are using a thermo labels with our logo on the products showing the basic information such as product type, date of expedition, QC name or abbreviation, quality manager's name and also all the certificates logos for the specific product as well as our website and factory address. Among the logos that you can find on our product labels are CE, TUV and GSI SLV all showing that the production of the product was made, tested and certified by the EU standards.

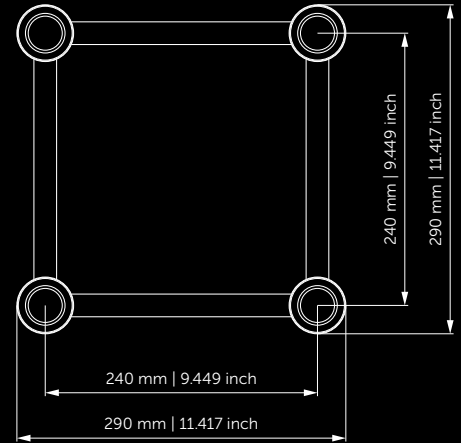
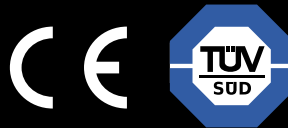
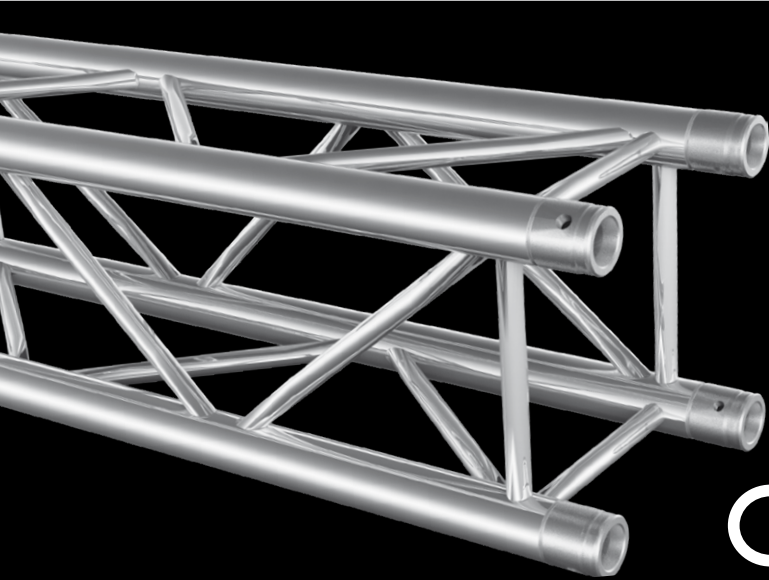
Apart from this TAF label we also use a smaller sticker on each welded piece of truss or product that is manufactured in our company. This special sticker has a unique QR code printed on. As it goes the QR codes can be read by almost any mobile phone and thus it gives customers immediate information about the specific product that can be sent to us for tracking its manufacturing process.

This unique QR code contains set of numbers that make it possible for us to identify the production history of each product from the very beginning

of the process all the way up to its final packing. That means we are able to track exactly the batch of material used for its production and match it with the proper material certificate, identify people involved in material preparation, welding process and quality check and the person who packed it in the end. The embedded production plan number gives us basically complete view of the product's manufacturing history.

It does not get much easier than QR code reading for perfect tracking of the products manufacturing process. In case the main label is lost, damaged or removed this small identification tool can save the day.





SPECIFICATIONS FT34

TUBES	50x2mm (2 x 0.08inch)
BRACES	20x2mm (0.8 x 0.08inch)
ALLOY	EN-AW 6082 T6

**TECH
SPECS**

SPECIFICATIONS HT34

TUBES	50x3mm (2 x 0.12inch)
BRACES	20x2mm (0.8 x 0.08inch)
ALLOY	EN-AW 6082 T6

STRAIGHT SEGMENT LENGTHS FT34

CODE	LENGTH		WEIGHT	
FT34-50	0.5m	1.64ft	3.8kg	8.47lb
FT34-75	0.75m	2.46ft	4.9kg	10.80lb
FT34-87,5	0.875m	2.87ft	5.6kg	12.24lb
FT34-100	1m	3.28ft	6.1kg	13.43lb
FT34-125	1.25m	4.10ft	7.3kg	16.05lb
FT34-150	1.5m	4.92ft	8.5kg	18.65lb
FT34-200	2m	6.56ft	10.8kg	23.90lb
FT34-215	2.15m	7.05ft	11.6kg	25.67lb
FT34-250	2.5m	8.20ft	13.2kg	29.15lb
FT34-275	2.75m	9.02ft	14.4kg	31.75lb
FT34-300	3m	9.84ft	15.6kg	34.38lb
FT34-350	3.5m	11.48ft	18.0kg	39.62lb
FT34-400	4m	13.12ft	20.3kg	44.85lb
FT34-450	4.5m	14.76ft	22.7kg	50.10lb
FT34-500	5m	16.40ft	25.1kg	55.35lb

STRAIGHT SEGMENT LENGTHS HT34

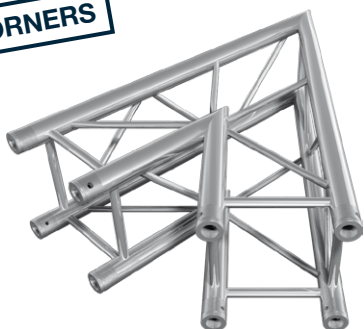
CODE	LENGTH		WEIGHT	
HT34-50	0.5m	1.64ft	4.4kg	9.66lb
HT34-75	0.75m	2.46ft	5.9kg	12.92lb
HT34-87,5	0.875m	2.87ft	6.1kg	13.52lb
HT34-100	1m	3.28ft	7.4kg	16.27lb
HT34-125	1.25m	4.10ft	9.0kg	19.91lb
HT34-150	1.5m	4.92ft	10.5kg	23.20lb
HT34-200	2m	6.56ft	13.7kg	30.12lb
HT34-215	2.15m	7.05ft	13.3kg	29.33lb
HT34-250	2.5m	8.20ft	16.8kg	37.02lb
HT34-275	2.75m	9.02ft	18.4kg	40.57lb
HT34-300	3m	9.84ft	19.9kg	43.95lb
HT34-350	3.5m	11.48ft	23.1kg	50.85lb
HT34-400	4m	13.12ft	26.2kg	57.77lb
HT34-450	4.5m	14.76ft	29.3kg	64.65lb
HT34-500	5m	16.40ft	32.4kg	71.44lb

LOADING TABLES FT34 / HT34

	2m		4m		6m		8m		10m		12m	
Distrib. Load [kg/m]	1422	1420	493	707	223	344	127	193	79	121	51	82
Deflection [mm]	2.4	1.7	13.7	13.3	31.8	33.2	58	59.8	90.5	93.9	126.4	134.8
Point load [kg]	1919	2840	987	1544	670	1033	507	771	394	607	308	491
Deflection [mm]	2.6	2.7	11	11.7	25.6	26.7	46.9	48.3	73.6	76.2	103.6	110.1
	6.56ft		13.12ft		19.68ft		26.24ft		32.81ft		39.37ft	
Distrib. Load [lb/ft]	955.7	954.3	331.3	475.1	149.9	231.2	85.4	129.7	53.1	81.3	34.3	55.1
Deflection [inch]	0.1	0.1	0.5	0.5	1.3	1.3	2.3	2.4	3.6	3.7	5	5.3
Point load [lb]	4231.4	6262.2	2176.3	3404.5	1477.4	2277.8	1117.9	1700.1	868.8	1338.4	679.1	1082.7
Deflection [inch]	0.1	0.1	0.4	0.5	1	1.1	1.8	1.9	2.9	3	4.1	4.3

Loading tables are valid for static loads and spans with two supporting points. Spans must be supported at each end. Contact structural engineer if there are more supporting points applied or dynamic and wind loads involved.

CORNERS

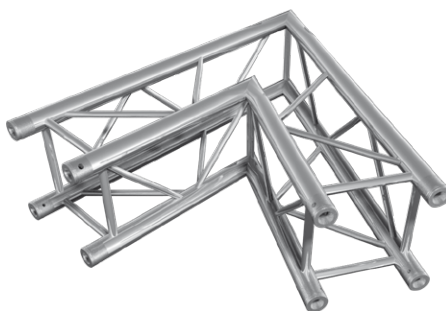


FT34-C19

7.8kg
(17.29lb)
 2-way 45° corner
 1m (3.28ft)

HT34-C19

9.8kg
(21.56lb)

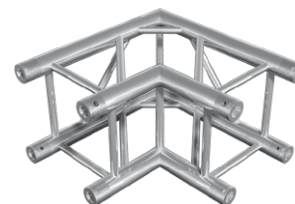


FT34-C20

8.7kg
(19.25lb)
 2-way 60° corner
 1m (3.28ft)

HT34-C20

10.9kg
(24.07lb)

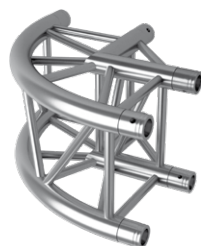


FT34-C21

4.9kg
(10.77lb)
 2-way 90° corner
 0.5m (1.64ft)

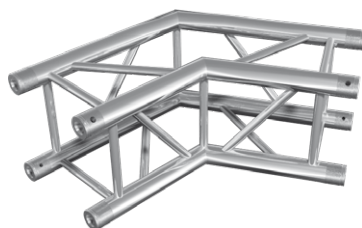
HT34-C21

5.9kg
(12.90lb)



FT34-C21-R

4.8kg (10.64lb)
 2-way 90° corner rounded
 0.5m (1.64ft)

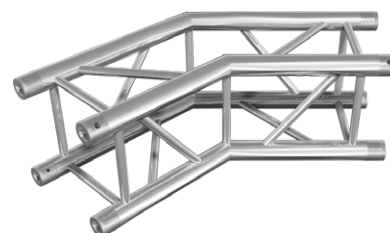


FT34-C22

5.3kg
(11.67lb)
 2-way 120° corner
 0.5m (1.64ft)

HT34-C22

6.4kg
(14.07lb)

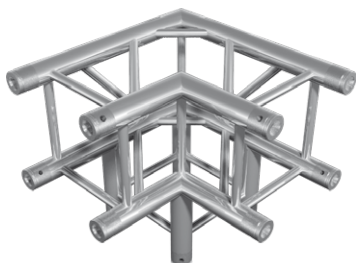


FT34-C23

5.4kg
(11.96lb)
 2-way 135° corner
 0.5m (1.64ft)

HT34-C23

6.6kg
(14.48lb)

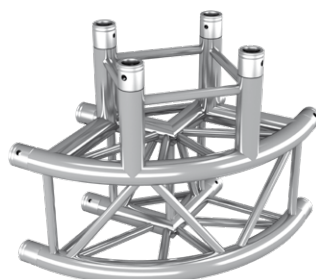


FT34-C30

6.4kg
(14.18lb)
 3-way 90° corner
 0.5m (1.64ft)

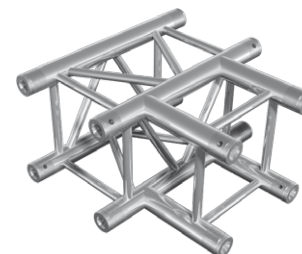
HT34-C30

7.6kg
(16.80lb)



FT34-C30-R

6.7kg (14.79lb)
 3-way 90° corner rounded
 0.5m (1.64ft)



FT34-T35

5.4kg
(11.87lb)
 3-way T-junction
 0.5m (1.64ft)

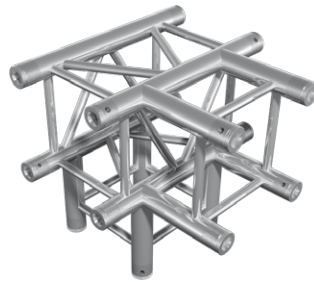
HT34-T35

6.1kg
(13.50lb)



FT34-C41

6.2kg
(13.76lb)
 4-way cross junction
 0.5m (1.64ft)



HT34-C41

6.9kg
(15.24lb)

4-way cross junction

0.5m (1.64ft)

FT34-T42

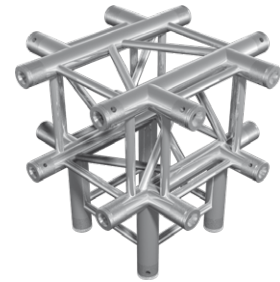
6.9kg
(15.28lb)
 4-way T junction
 0.5m (1.64ft)

HT34-T42

7.9kg
(17.40lb)

4-way T junction

0.5m (1.64ft)



FT34-C55

7.8kg
(17.16lb)
 5-way T-junction
 0.5m (1.64ft)

HT34-C55

8.7kg
(19.18lb)

5-way T-junction

0.5m (1.64ft)



FT34-C60

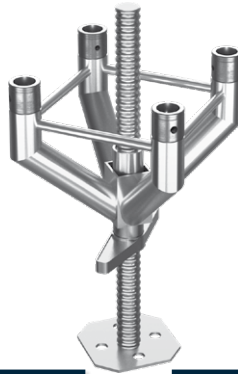
8.6kg
(19.05lb)
 6-way T-junction
 0.5m (1.64ft)

HT34-C60

9.4kg
(20.80lb)

6-way T-junction

0.5m (1.64ft)



FT34-BLF

2.4kg
(5.29lb)

Levelling base

HT34-BLF

2.8kg
(6.17lb)



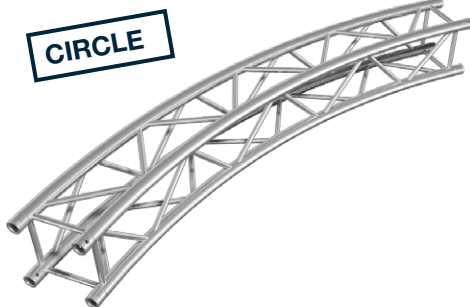
FT34-32F

2.94kg
(6.47lb)

Frame FT34+FT32 / Frame HT34+HT32

HT34-32F

3.2kg
(7.06lb)



CIRCLE

FT34-C

Circle
various diameters

HT34-C



FT34-MCB

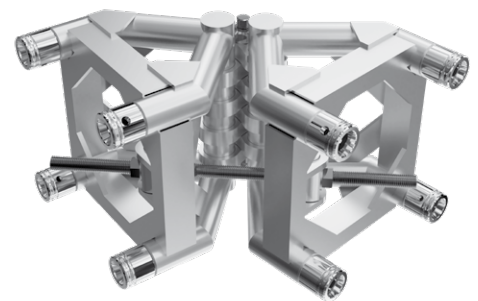
7.6kg
(16.82lb)

Multi connection box

0.29m (0.95ft)

HT34-MCB

8.3kg
(18.30lb)



FT34-HC

11.5 kg
(25.35 lbs)

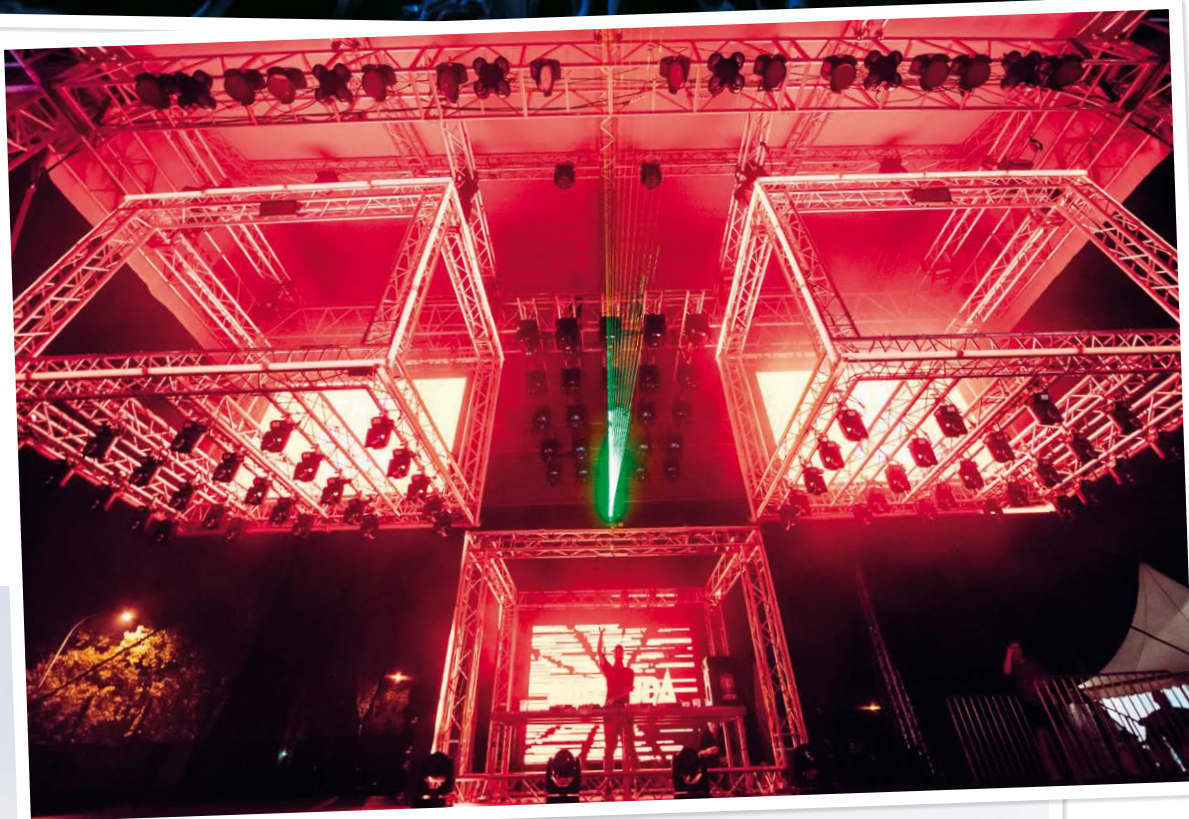
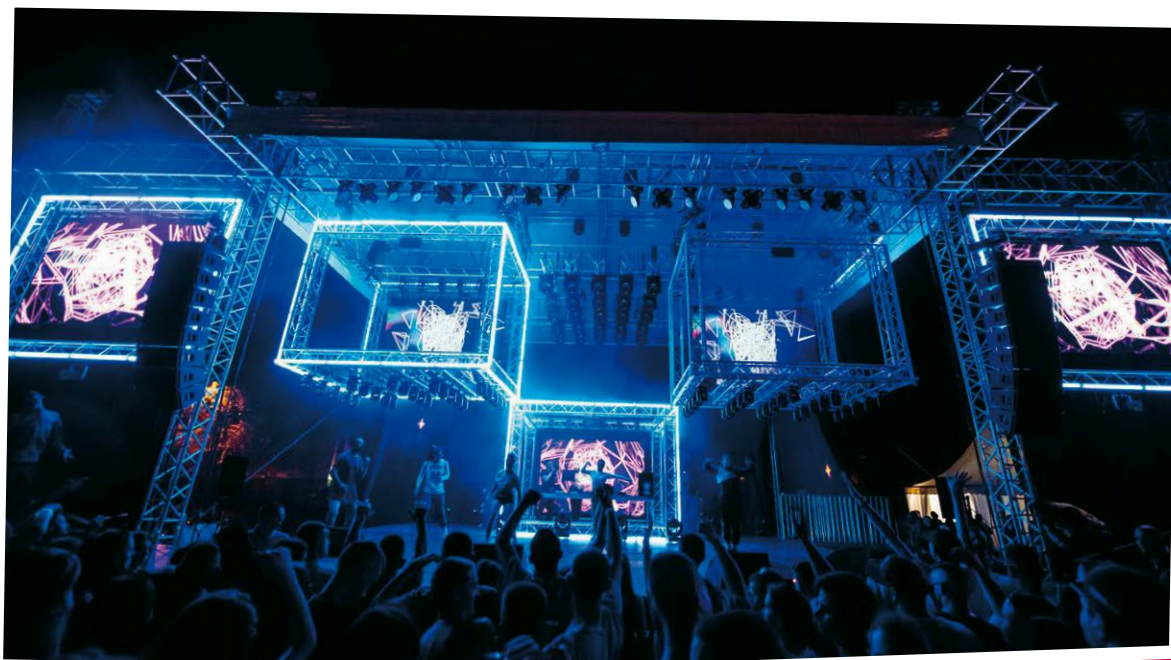
0 - 80°

0.6 m (1.96ft)

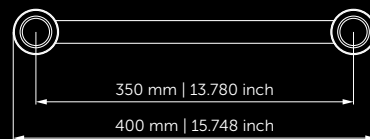
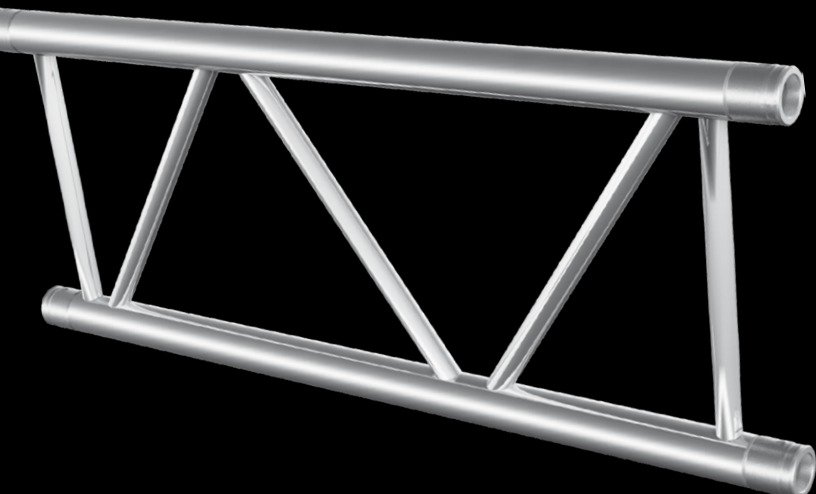
HT34-HC

12.5 kg
(27.56 lbs)

Includes 2 connection sets for two ways.



QUICKLOCK LINE FT42 / HT42 double



SPECIFICATIONS FT42

TUBES	50x2mm (2 x 0.08inch)
BRACES	25x3mm (1 x 0.12inch)
ALLOY	EN-AW 6082 T6



SPECIFICATIONS HT42

TUBES	50x3mm (2 x 0.12inch)
BRACES	25x3mm (1 x 0.12inch)
ALLOY	EN-AW 6082 T6

STRAIGHT SEGMENT LENGTHS FT42

CODE	LENGTH		WEIGHT	
FT42-50	0.5m	1.64ft	2.0kg	4.32lb
FT42-75	0.75m	2.46ft	2.6kg	5.69lb
FT42-100	1m	3.28ft	3.2kg	7.08lb
FT42-150	1.5m	4.92ft	4.4kg	9.59lb
FT42-200	2m	6.56ft	5.5kg	12.04lb
FT42-250	2.5m	8.20ft	6.6kg	14.53lb
FT42-300	3m	9.84ft	7.8kg	17.24lb
FT42-350	3.5m	11.48ft	8.9kg	19.69lb
FT42-400	4m	13.12ft	10.1kg	22.27lb
FT42-450	4.5m	14.76ft	11.2kg	24.65lb
FT42-500	5m	16.40ft	12.4kg	27.34lb

STRAIGHT SEGMENT LENGTHS HT42

CODE	LENGTH		WEIGHT	
HT42-50	0.5m	1.64ft	2.3kg	4.98lb
HT42-75	0.75m	2.46ft	3.1kg	6.77lb
HT42-100	1m	3.28ft	3.9kg	8.58lb
HT42-150	1.5m	4.92ft	5.4kg	11.93lb
HT42-200	2m	6.56ft	6.9kg	15.15lb
HT42-250	2.5m	8.20ft	8.4kg	18.48lb
HT42-300	3m	9.84ft	10.0kg	22.09lb
HT42-350	3.5m	11.48ft	11.5kg	25.38lb
HT42-400	4m	13.12ft	13.0kg	28.73lb
HT42-450	4.5m	14.76ft	14.5kg	32.02lb
HT42-500	5m	16.40ft	16.1kg	35.46lb

LOADING TABLES FT42 / HT42

	2m		4m		6m		8m		10m		12m		14m		16m	
Distrib. Load [kg/m]	756	1042	243	332	109	153	61	87	39	57	27	40	19	29	14	21
Deflection [mm]	1.2	1.1	6.4	5.9	14.7	14	26.7	25.7	42.7	42.1	63	63.5	87.8	87.9	115.3	115.2
Point load [kg]	756	1042	486	664	327	459	245	349	195	286	161	243	135	204	113	172
Deflection [mm]	1	0.9	5.1	4.7	11.8	11.3	21.6	20.8	34.8	34.3	51.8	52	72.9	72.5	96.7	95.9
	6.56ft		13.12ft		19.68ft		26.24ft		32.81ft		39.37ft		45.93ft		52.49ft	
Distrib. Load [lb/ft]	508.1	700.3	163.3	223.1	73.3	102.8	41	58.5	26.2	38.3	18.1	26.9	12.8	19.5	9.4	14.1
Deflection [inch]	0.05	0.04	0.3	0.2	0.6	0.6	1.1	1	1.7	1.7	2.5	2.5	3.5	3.5	4.5	4.5
Point load [lb]	1667	2297.6	1071.6	1464.1	721	1012.1	540.2	769.5	430	630.6	355	535.8	297.7	449.8	249.2	379.3
Deflection [inch]	0.04	0.04	0.2	0.2	0.5	0.4	0.9	0.8	1.4	1.4	2	2	2.9	2.9	3.8	3.8

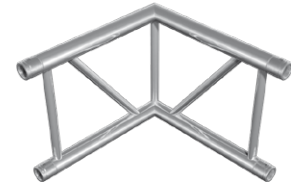
Loading tables are valid for static loads and spans with two supporting points.

Spans must be supported at each end.

Contact structural engineer if there are more supporting points applied or dynamic and wind loads involved.

The listed loads are verified for simply supported beam.

The truss needs to be secured against horizontal movement every 1m for the loading tables to be valid.

CORNERS

FT42-C19-V
HT42-C19-V

 3.2kg
(7.13lb)

 3.9kg
(8.56lb)


2-way 45° corner vertical



0.5m (1.64ft)

FT42-C20-V
HT42-C20-V

 3.2kg
(7.13lb)

 3.9kg
(8.56lb)


2-way 60° corner vertical



0.5m (1.64ft)

FT42-C21-V
HT42-C21-V

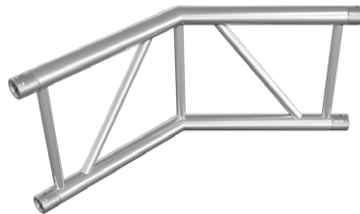
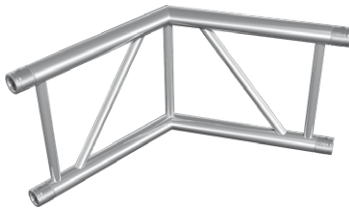
 3.2kg
(7.13lb)

 3.9kg
(8.56lb)


2-way 90° corner vertical



0.5m (1.64ft)


FT42-C22-V
HT42-C22-V

 3.2kg
(7.13lb)

 3.9kg
(8.56lb)


2-way 120° corner vertical



0.5m (1.64ft)

FT42-C23-V
HT42-C23-V

 3.2kg
(7.13lb)

 3.9kg
(8.56lb)


2-way 135° corner vertical



0.5m (1.64ft)

FT42-T35-V
HT42-T35-V

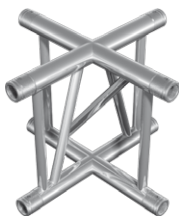
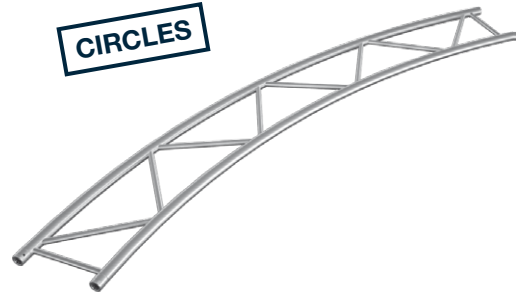
 3.4kg
(7.47lb)

 4.0kg
(8.74lb)


3-way vertical T-junction



0.5m (1.64ft)


CIRCLES

FT42-C41-V
HT42-C41-V

 4.0kg
(8.89lb)

 4.5kg
(10.01lb)

 4-way vertical cross
junction


0.5m (1.64ft)

FT42-31AD
HT42-31AD

 1.1kg
(2.43lb)

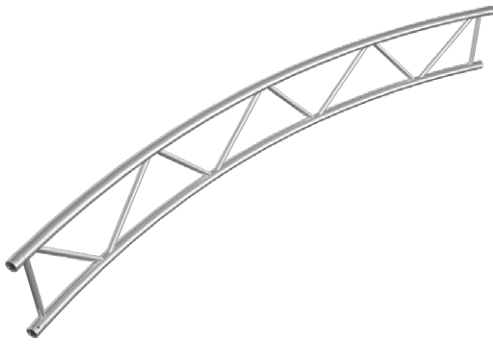
 1.4kg
(3.09lb)

 FT42-FT31 Adapter /
HT42-HT31 Adapter

FT42-CH
HT42-CH

 Circle horizontal
various diameters

QUICKLOCK LINE FT42 / HT42 double



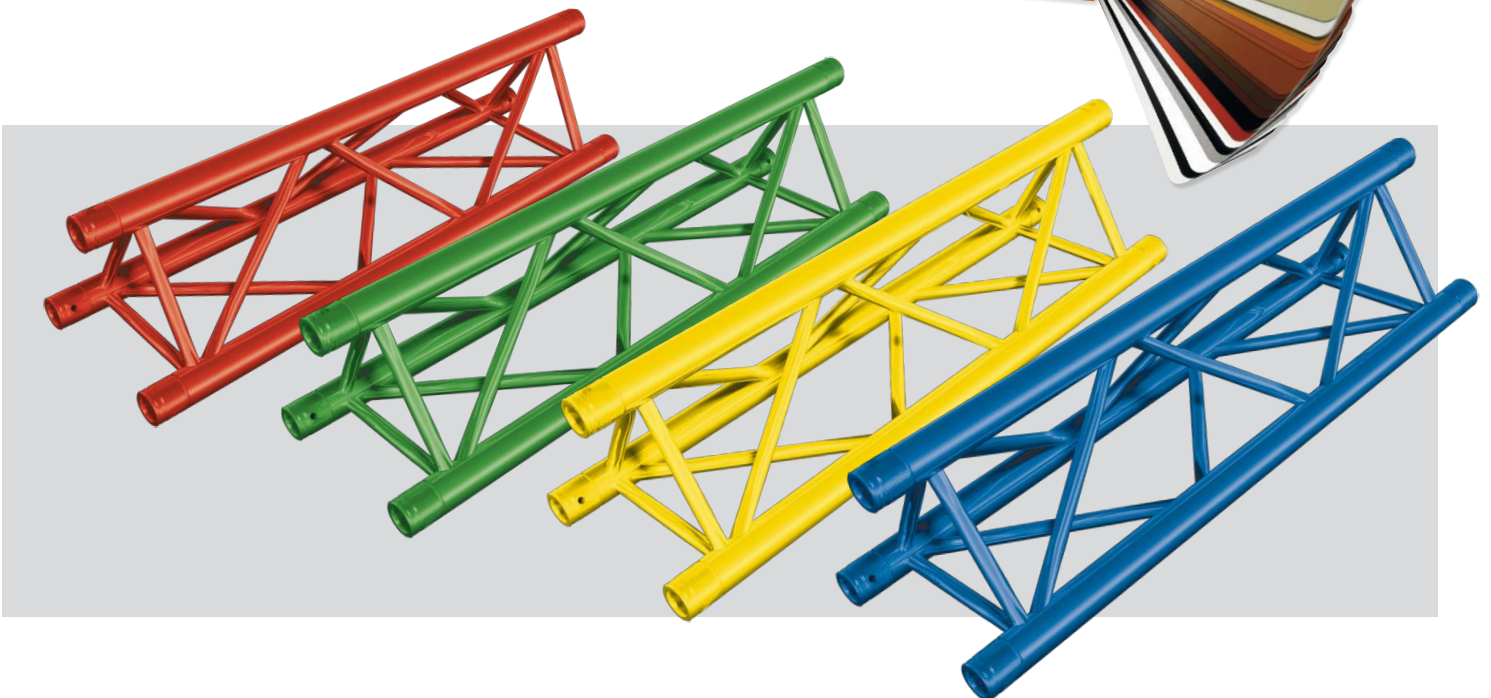
FT42-CV

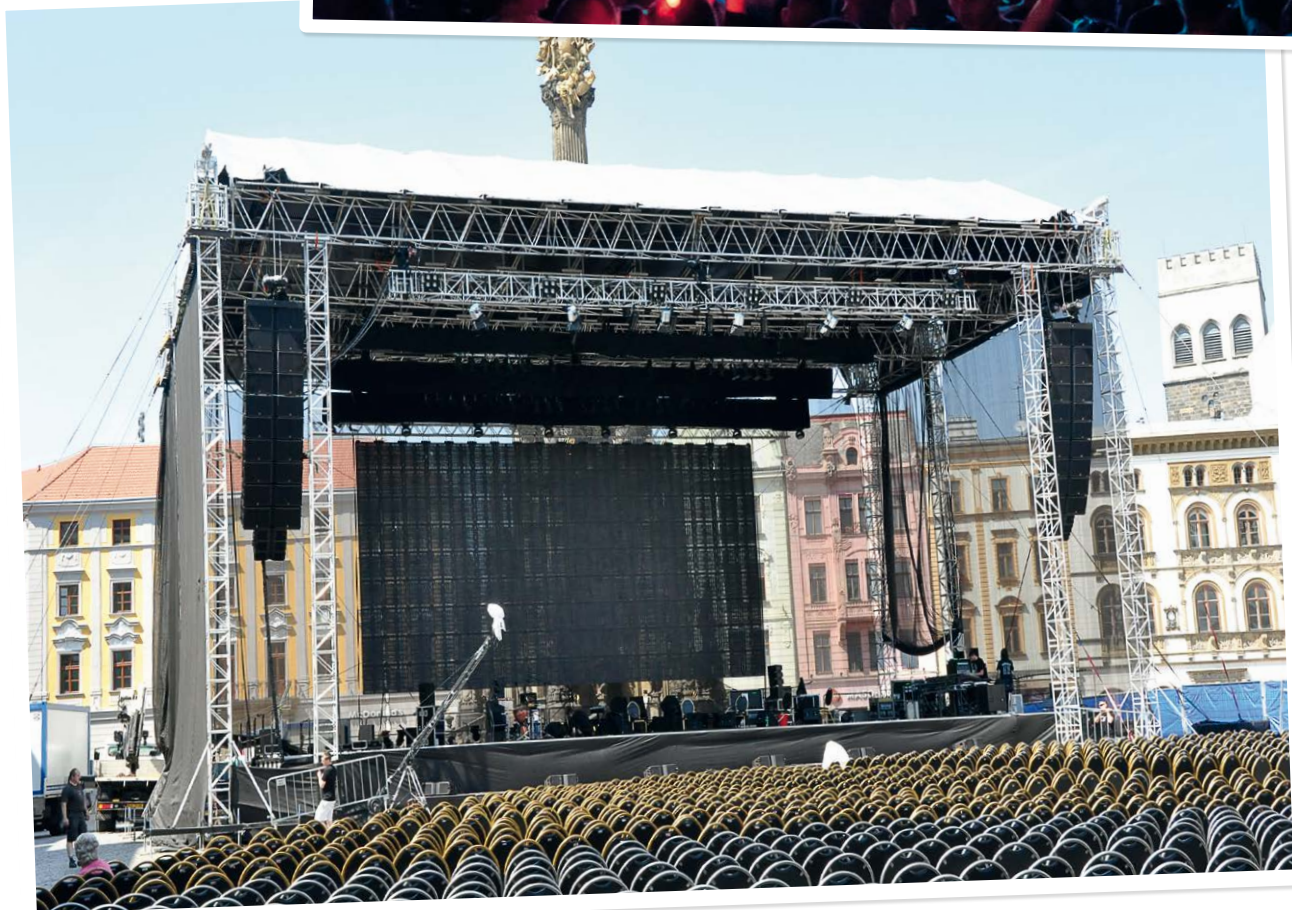
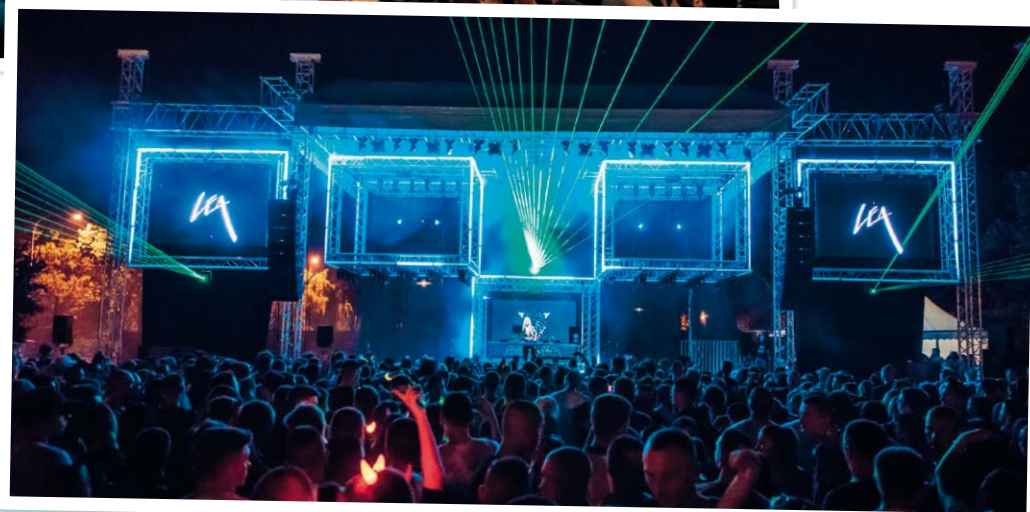
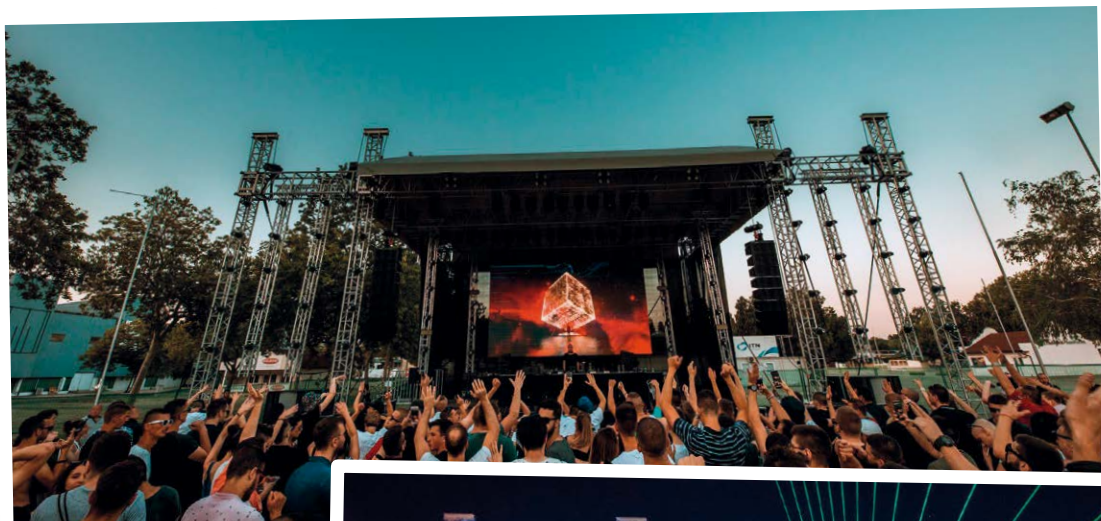
HT42-CV



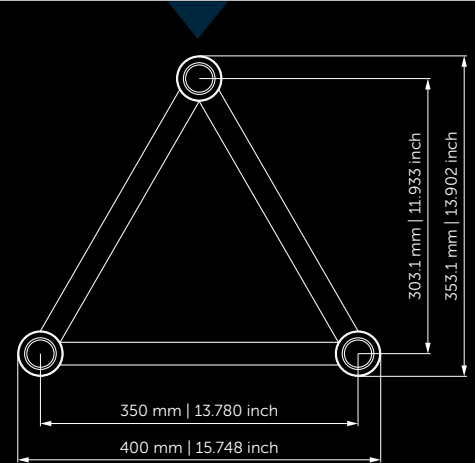
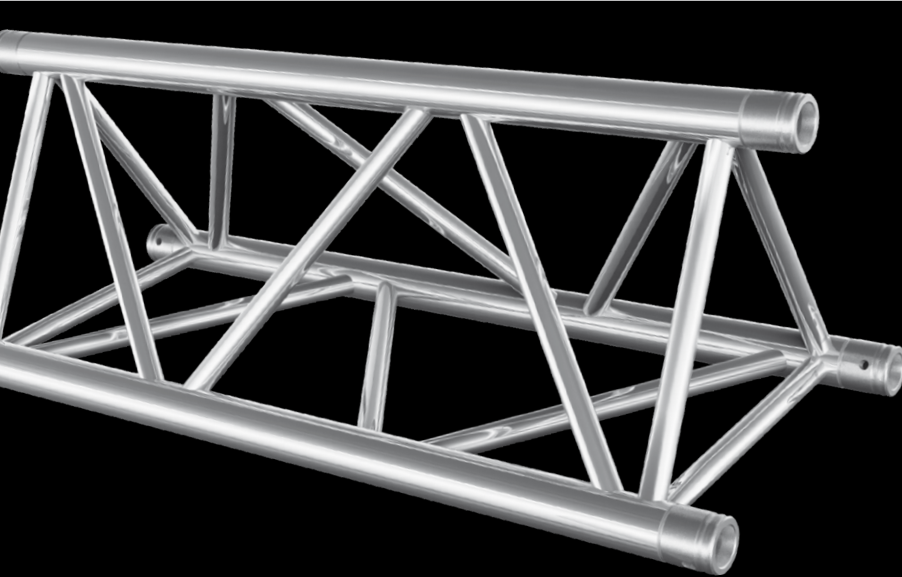
Circle vertical
various diameters

Various types of colored powder coating are available for any type of trussing line. Available in RAL range. See samples below.





QUICKLOCK LINE FT43 / HT43 triangle



SPECIFICATIONS FT43

TUBES	50x2mm (2 x 0.08inch)
BRACES	25x3mm (1 x 0.12inch)
ALLOY	EN-AW 6082 T6

**TECH
SPECS**

SPECIFICATIONS HT43

TUBES	50x3mm (2 x 0.12inch)
BRACES	25x3mm (1 x 0.12inch)
ALLOY	EN-AW 6082 T6

STRAIGHT SEGMENT LENGTHS FT43

CODE	LENGTH		WEIGHT	
FT43-50	0.5m	1.64ft	3.8kg	8.29lb
FT43-75	0.75m	2.46ft	5.0kg	11.08lb
FT43-87.5	0.875m	2.87ft	5.5kg	12.12lb
FT43-100	1m	3.28ft	6.3kg	13.87lb
FT43-125	1.25m	4.10ft	7.0kg	15.46lb
FT43-150	1.5m	4.92ft	8.5kg	18.72lb
FT43-200	2m	6.56ft	10.6kg	23.33lb
FT43-250	2.5m	8.20ft	12.8kg	28.11lb
FT43-300	3m	9.84ft	15.2kg	33.49lb
FT43-350	3.5m	11.48ft	17.3kg	38.15lb
FT43-400	4m	13.12ft	19.6kg	43.17lb
FT43-450	4.5m	14.76ft	21.6kg	47.63lb
FT43-500	5m	16.40ft	24.0kg	52.94lb

STRAIGHT SEGMENT LENGTHS HT43

CODE	LENGTH		WEIGHT	
HT43-50	0.5m	1.64ft	4.2kg	9.17lb
HT43-75	0.75m	2.46ft	5.7kg	12.66lb
HT43-87.5	0.875m	2.87ft	6.3kg	13.94lb
HT43-100	1m	3.28ft	7.3kg	16.01lb
HT43-125	1.25m	4.10ft	8.3kg	18.36lb
HT43-150	1.5m	4.92ft	10.0kg	22.12lb
HT43-200	2m	6.56ft	12.7kg	28.00lb
HT43-250	2.5m	8.20ft	15.4kg	34.02lb
HT43-300	3m	9.84ft	18.4kg	40.66lb
HT43-350	3.5m	11.48ft	21.2kg	46.70lb
HT43-400	4m	13.12ft	24.0kg	52.88lb
HT43-450	4.5m	14.76ft	26.6kg	58.56lb
HT43-500	5m	16.40ft	29.5kg	65.14lb

LOADING TABLES FT43 / HT43

	2m		4m		6m		8m		10m		12m		14m		16m	
Distrib. Load [kg/m]	779	1412	272	457	124	212	70	119	45	75	31	51	21	34	15	25
Deflection [mm]	1.3	1.6	7.2	8.1	16.9	19.4	31.3	35.3	50.9	56.2	75.6	81.9	100.8	108.8	133.3	140.9
Point load [kg]	779	1412	544	913	371	636	282	475	225	375	184	304	144	241	121	207
Deflection [mm]	1	1.2	5.8	6.5	13.6	15.7	25.5	28.6	41.8	45.9	62.8	67.5	84.9	90.7	116.1	123.7
	6.56ft		13.12ft		19.68ft		26.24ft		32.81ft		39.37ft		45.93ft		52.49ft	
Distrib. Load [lb/ft]	523.5	948.9	182.8	307.1	83.3	142.5	47	80	30.2	50.4	20.8	34.3	14.1	22.8	10.1	16.8
Deflection [inch]	0.1	0.1	0.3	0.3	0.7	0.8	1.2	1.4	2	2.2	3	3.2	4	4.3	5.2	5.5
Point load [lb]	1717.7	3113.5	1199.5	2013.2	818.1	1402.4	621.8	1047.4	496.1	826.9	405.7	670.3	317.5	531.4	266.8	456.4
Deflection [inch]	0.04	0.05	0.2	0.3	0.5	0.6	1	1.1	1.6	1.8	2.5	2.7	3.3	3.6	4.6	4.9

Loading tables are valid for static loads and spans with two supporting points.

Spans must be supported at each end.

Contact structural engineer if there are more supporting points applied or dynamic and wind loads involved.

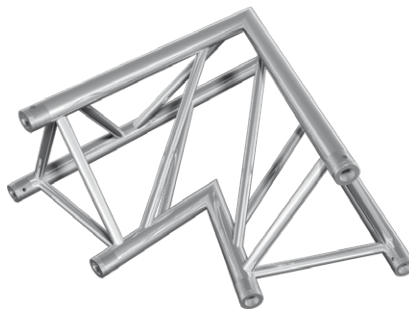
CORNERS

FT43-C19

10.4kg
(22.83lb)
 2-way 45° corner
 1.5m (4.92ft)

HT43-C19

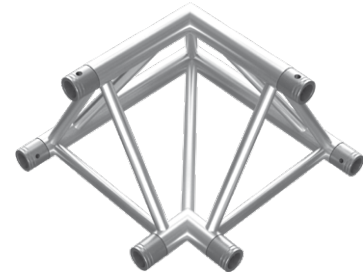
12.6kg
(27.89lb)


FT43-C20

7.5kg
(16.50lb)
 2-way 60° corner
 1m (3.28ft)

HT43-C20

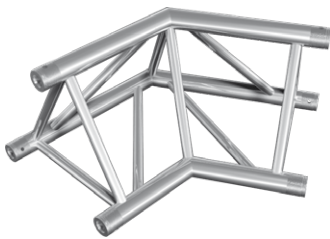
8.9kg
(19.63lb)


FT43-C21

4.4kg
(9.68lb)
 2-way 90° corner
 0.5m (1.64ft)

HT43-C21

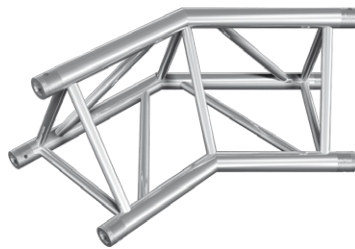
4.8kg
(10.64lb)


FT43-C22

5.1kg
(11.19lb)
 2-way 120° corner
 0.5m (1.64ft)

HT43-C22

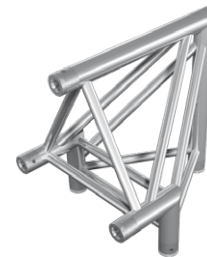
5.8kg
(12.81lb)


FT43-C23

5.2kg
(11.54lb)
 2-way 135° corner
 0.5m (1.64ft)

HT43-C23

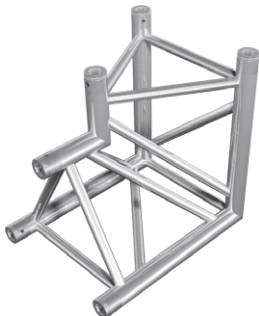
6.0kg
(13.29lb)


FT43-C24

4.0kg
(8.86lb)
 2-way 90° apex out
 0.5m (1.64ft)

HT43-C24

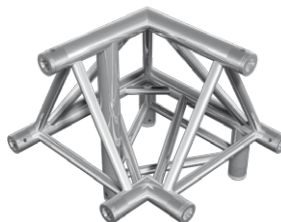
4.5kg
(9.84lb)


FT43-C25

5.0kg
(11.02lb)
 2-way 90° apex in
 0.5m (1.64ft)

HT43-C25

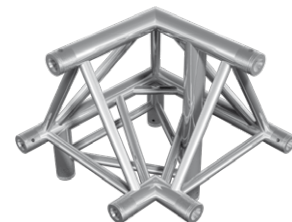
5.7kg
(12.59lb)


FT43-C31

6.0kg
(13.16lb)
 3-way 90° corner apex up R
 0.5m (1.64ft)

HT43-C31

6.7kg
(14.71lb)

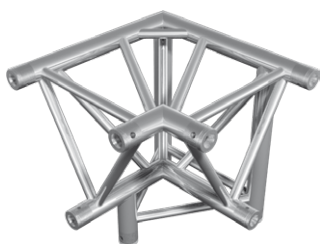

FT43-C32

6.0kg
(13.16lb)
 3-way 90° corner apex up L
 0.5m (1.64ft)

HT43-C32

6.7kg
(14.71lb)

QUICKLOCK LINE FT43 / HT43 triangle



FT43-C33



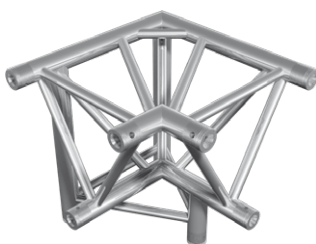
6.4kg
(14.18lb)



3-way 90° corner apex
down R



0.5m (1.64ft)



HT43-C33



7.3kg
(16.01lb)



3-way 90° corner apex
down R



0.5m (1.64ft)



FT43-T35



6.4kg
(14.01lb)



3-way horizontal T-junction
apex down



0.6x0.5m (1.97x1.64ft)

HT43-T35



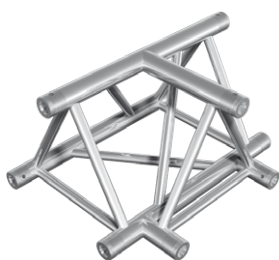
7.5kg
(16.50lb)



3-way horizontal T-junction
apex down



0.6x0.5m (1.97x1.64ft)



FT43-T36



5.4kg
(11.85lb)



3-way horizontal T-junction



0.6x0.5m (1.97x1.64ft)

HT43-T36



6.0kg
(13.26lb)



3-way horizontal T-junction



0.6x0.5m (1.97x1.64ft)



FT43-T37



5.4kg
(11.90lb)



3-way horizontal T-junction
apex up



0.6x0.5m (1.97x1.64ft)

HT43-T37



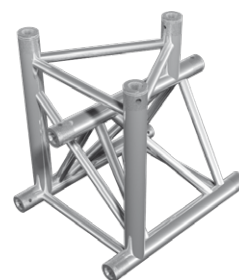
6.2kg
(13.57lb)



3-way horizontal T-junction
apex up



0.6x0.5m (1.97x1.64ft)



FT43-T38



6.1kg
(13.35lb)



3-way vertical T-junction



0.6x0.5m (1.97x1.64ft)

HT43-T38



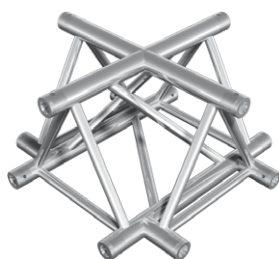
6.9kg
(15.30lb)



3-way vertical T-junction



0.6x0.5m (1.97x1.64ft)



FT43-C41



6.8kg
(14.89lb)



4-way cross junction



0.6m (1.97ft)

HT43-C41



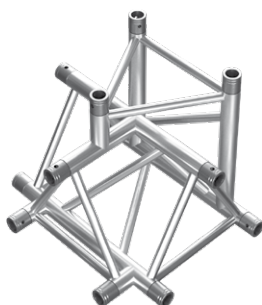
7.5kg
(16.48lb)



4-way cross junction



0.6m (1.97ft)



FT43-T42



7.5kg
(16.56lb)



4-way T-junction apex
down



0.6x0.5x0.5m
(1.97x1.64x1.64ft)

HT43-T42



8.5kg
(18.80lb)



4-way T-junction apex
down



0.6x0.5x0.5m
(1.97x1.64x1.64ft)



FT43-T43



6.8kg
(14.91lb)



4-way T-junction apex up



0.6x0.5x0.5m
(1.97x1.64x1.64ft)

HT43-T43



7.6kg
(16.79lb)



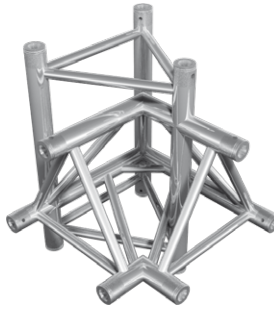
4-way T-junction apex up



0.6x0.5x0.5m
(1.97x1.64x1.64ft)


FT43-C44

8.1kg
(17.88lb)
 4-way 90° corner R
 0.5m (1.64ft)


HT43-C44

9.1kg
(20.03lb)

FT43-C45

8.1kg
(17.88lb)
 4-way 90° corner L
 0.5m (1.64ft)

HT43-C45

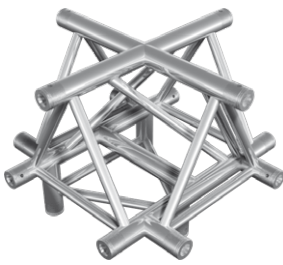
9.1kg
(20.03lb)


FT43-T51

8.4kg
(18.45lb)
 5-way T-junction apex down
 0.6x0.6x0.5m
(1.97x1.97x1.64ft)

HT43-T51

9.3kg
(20.61lb)


FT43-C52

7.9kg
(17.36lb)
 5-way cross junction apex up
 0.6x0.6x0.5m
(1.97x1.97x1.64ft)

HT43-C52

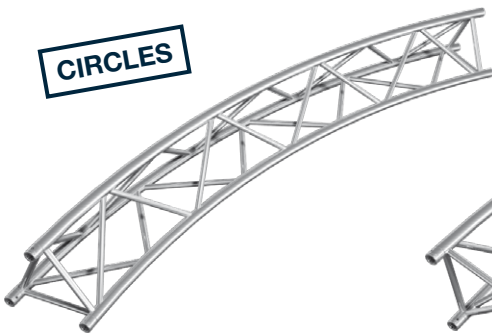
8.7kg
(19.15lb)

FT43-C53

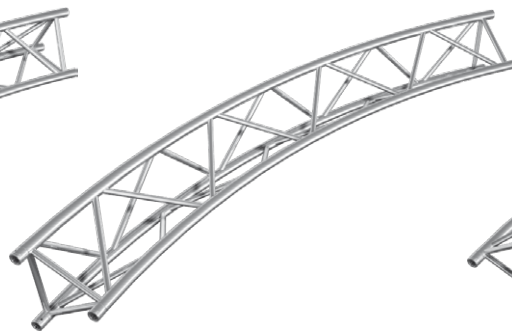
8.8kg
(19.40lb)
 5-way cross junction apex down
 0.6x0.6x0.5m
(1.97x1.97x1.64ft)

HT43-C53

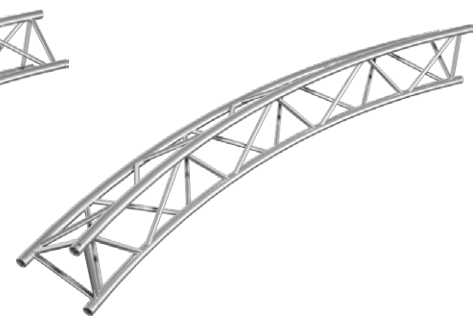
9.8kg
(21.70lb)

CIRCLES

FT43-C1

Circle apex up/down various diameters

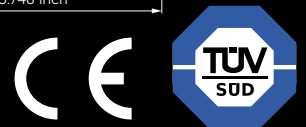
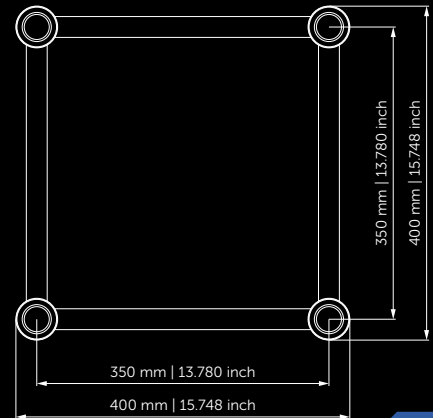
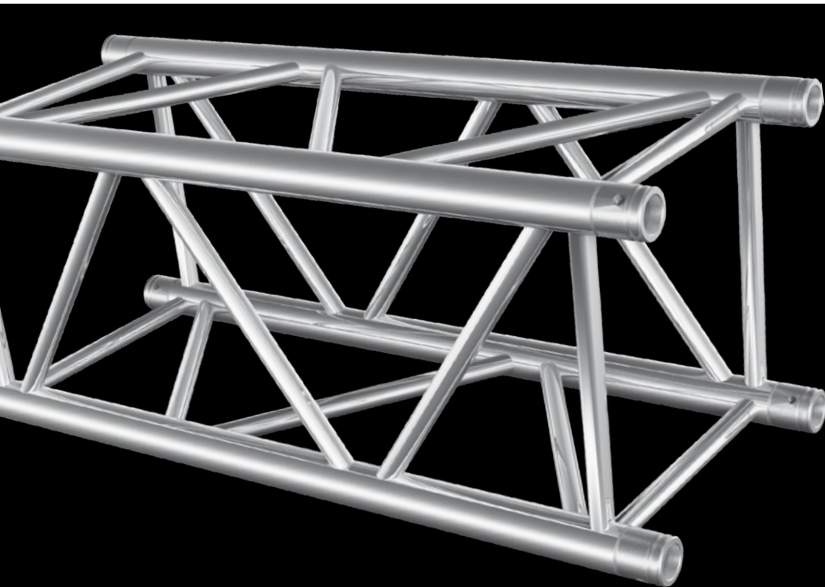

HT43-C1
FT43-C2

Circle apex in various diameters

HT43-C2

FT43-C3

Circle apex out various diameters

HT43-C3



SPECIFICATIONS FT44

TUBES	50x2mm (2 x 0.08inch)
BRACES	25x3mm (1 x 0.12inch)
ALLOY	EN-AW 6082 T6



SPECIFICATIONS HT44

TUBES	50x3mm (2 x 0.12inch)
BRACES	25x3mm (1 x 0.12inch)
ALLOY	EN-AW 6082 T6

STRAIGHT SEGMENT LENGTHS FT44

CODE	LENGTH		WEIGHT	
FT44-50	0.5m	1.64ft	5.0kg	11.05lb
FT44-100	1m	3.28ft	8.4kg	18.48lb
FT44-150	1.5m	4.92ft	11.3kg	24.96lb
FT44-200	2m	6.56ft	14.1kg	31.11lb
FT44-250	2.5m	8.20ft	17.0kg	37.49lb
FT44-300	3m	9.84ft	20.3kg	44.67lb
FT44-350	3.5m	11.48ft	23.1kg	50.85lb
FT44-400	4m	13.12ft	26.1kg	57.57lb
FT44-450	4.5m	14.76ft	28.8kg	63.50lb
FT44-500	5m	16.40ft	32.0kg	70.58lb

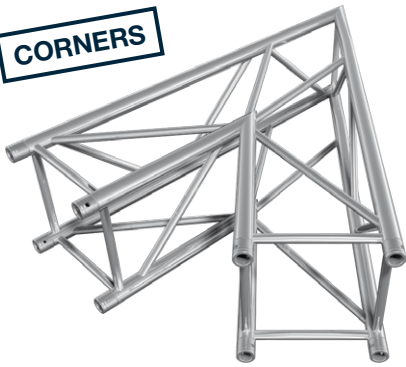
STRAIGHT SEGMENT LENGTHS HT44

CODE	LENGTH		WEIGHT	
HT44-50	0.5m	1.64ft	5.6kg	12.24lb
HT44-100	1m	3.28ft	9.7kg	21.34lb
HT44-150	1.5m	4.92ft	13.4kg	29.50lb
HT44-200	2m	6.56ft	16.9kg	37.33lb
HT44-250	2.5m	8.20ft	20.6kg	45.38lb
HT44-300	3m	9.84ft	24.6kg	54.22lb
HT44-350	3.5m	11.48ft	28.1kg	61.96lb
HT44-400	4m	13.12ft	31.9kg	70.34lb
HT44-450	4.5m	14.76ft	35.4kg	78.06lb
HT44-500	5m	16.40ft	39.4kg	86.85lb

LOADING TABLES FT44 / HT44

	2m		4m		6m		8m		10m		12m		14m		16m	
Distrib. Load [kg/m]	1805	2327	595	901	274	417	163	243	106	162	73	112	52	82	38	61
Deflection [mm]	1.5	1.3	7.8	8	18.4	18.9	35.2	35.4	57.3	58.8	83.5	86.5	114.9	119.8	151.1	158.7
Point load [kg]	1805	3267	1190	1803	823	1252	653	971	532	811	436	675	364	573	304	477
Deflection [mm]	1.2	1.4	6.2	6.4	14.8	15.2	28.5	28.5	46.6	47.6	68.4	70.5	94.7	98.3	124.5	127.8
	6.56ft		13.12ft		19.68ft		26.24ft		32.81ft		39.37ft		45.93ft		52.49ft	
Distrib. Load [lb/ft]	1213.1	1563.9	399.9	605.5	184.1	280.2	109.5	163.3	71.2	108.9	49.1	75.3	34.9	55.1	25.5	41
Deflection [inch]	0.1	0.1	0.3	0.3	0.7	0.7	1.4	1.4	2.3	2.3	3.3	3.4	4.5	4.7	5.9	6.2
Point load [lb]	3980	7203.7	2624	3975.6	1814.7	2760.7	1439.9	2141.1	1173.1	1788.3	961.4	1488.4	802.6	1263.5	670.3	1051.8
Deflection [inch]	0.05	0.1	0.2	0.3	0.6	0.6	1.1	1.1	1.8	1.9	2.7	2.8	3.7	3.9	4.9	5

Loading tables are valid for static loads and spans with two supporting points. Spans must be supported at each end. Contact structural engineer if there are more supporting points applied or dynamic and wind loads involved.

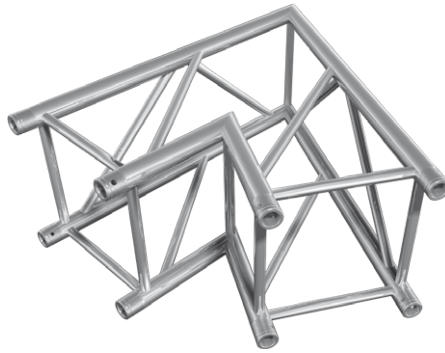
CORNERS

FT44-C19

 14.1kg
(31.13lb)


2-way 45° corner



1.5m (4.92ft)


HT44-C19

 17.2kg
(37.37lb)

FT44-C20

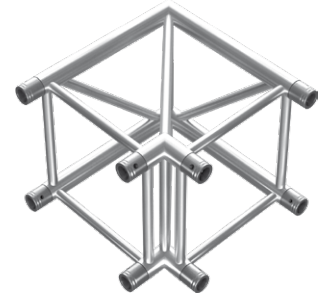
 9.5kg
(21.05lb)


2-way 60° corner



1m (3.28ft)

HT44-C20

 11.4kg
(25.15lb)

FT44-C21

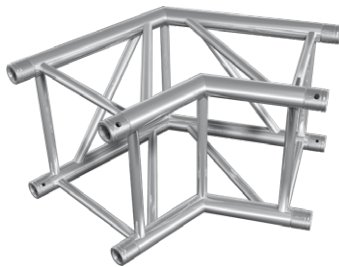
 6.1kg
(13.44lb)


2-way 90° corner



0.5m (1.64ft)

HT44-C21

 6.7kg
(14.79lb)

FT44-C22

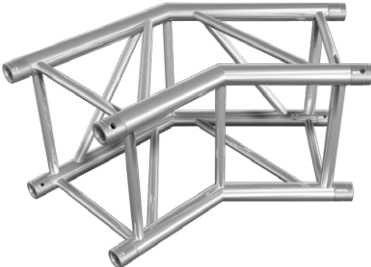
 6.8kg
(14.97lb)


2-way 120° corner



0.5m (1.64ft)

HT44-C22

 7.8kg
(17.11lb)

FT44-C23

 7.0kg
(15.41lb)


2-way 135° corner



0.5m (1.64ft)

HT44-C23

 8.0kg
(17.73lb)

FT44-C30

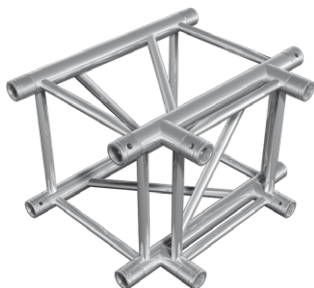
 7.8kg
(17.09lb)


3-way 90° corner



0.5m (1.64ft)

HT44-C30

 8.4kg
(18.50lb)

FT44-T35

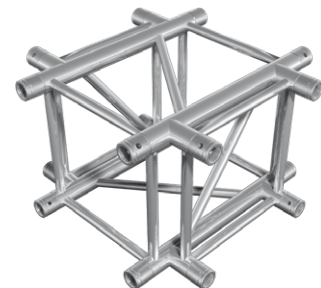
 7.0kg
(15.39lb)


3-way T-junction



0.6x0.5m (1.97x1.64ft)

HT44-T35

 7.7kg
(17.06lb)

FT44-C41

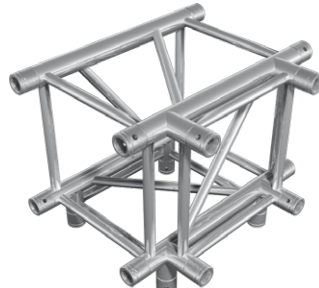
 8.6kg
(19.00lb)


4-way cross junction



0.6m (1.97ft)

HT44-C41

 9.4kg
(20.73lb)

FT44-T42

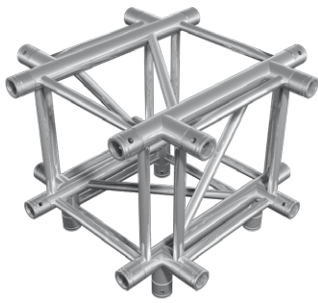
 8.6kg
(19.00lb)


4-way T-junction





 0.6x0.5x0.5m
(1.97x1.64x1.64ft)

HT44-T42

 9.4kg
(20.73lb)



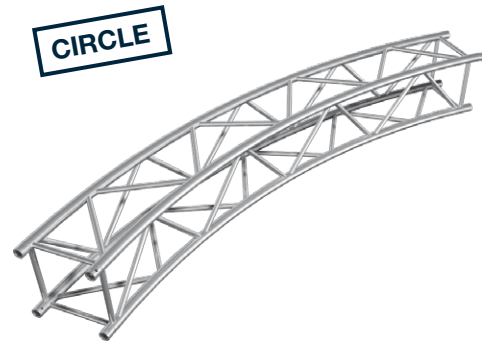
FT44-T51

 9.5kg
 (20.96lb)
 5-way junction
 0.6x0.6x0.5m
 (1.97x1.97x1.64ft)




FT44-42F

 3.34kg
 (7.36lb)
 Frame FT44+FT42 / Frame
 HT44+HT42



CIRCLE

FT44-C

 Circle
 various diameters

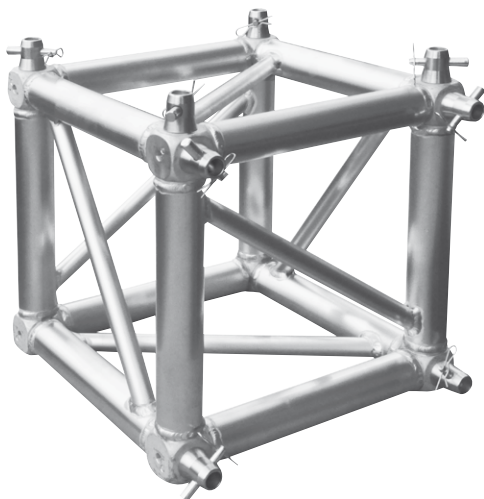
HT44-T51

 10.4kg
 (22.83lb)




HT44-42F

 3.84kg
 (8.47lb)

HT44-C

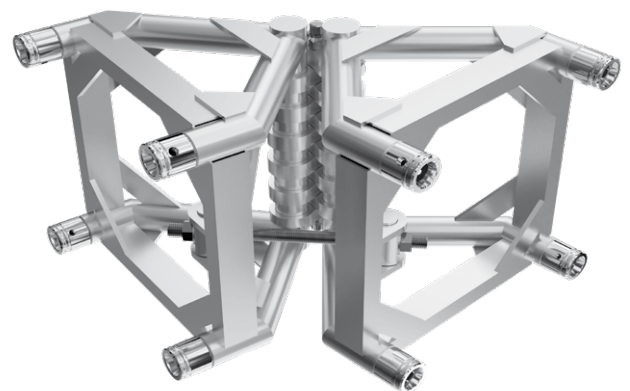


FT44-MCB




 9.6kg
 (20.96lb)
 Multi connection box
 0.4m (1.31ft)

HT44-MCB

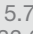
 10.9kg
 (23.94lb)



FT44-HC

 15 kg
 (33 lb)
 0 - 80°
 0.7 m (2.3 ft)

HT44-HC

 15.7 kg
 (33.61 lb)

Includes 2 connection sets for two ways.*



SOHO GARDEN PROJECT

Soho Garden area belongs to Sekoya Hotels and Resorts venues where the company strives to create a cosmopolitan enclave at the edge of the city of Dubai. It represents ever evolving idea of the Sekoya Management about bringing together the best in entertainment and luxury hospitality from Soho to Las Vegas.

Soho Garden offers a uniquely diverse mix of dining, pool lounging and nightlife experiences. It is a spot where the most chic and luxurious entertainment events of the city take place. There are four perfectly designed bars, each with its taste of special identity allowing guests to enjoy a different experience every time.

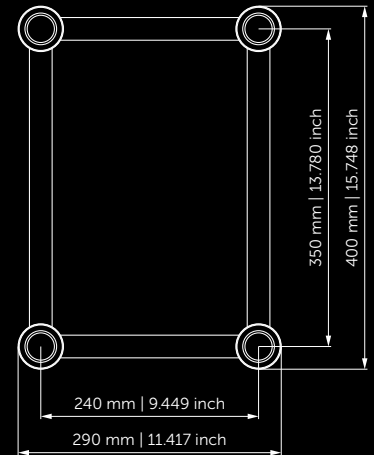
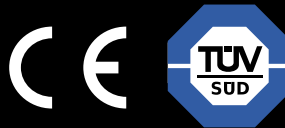
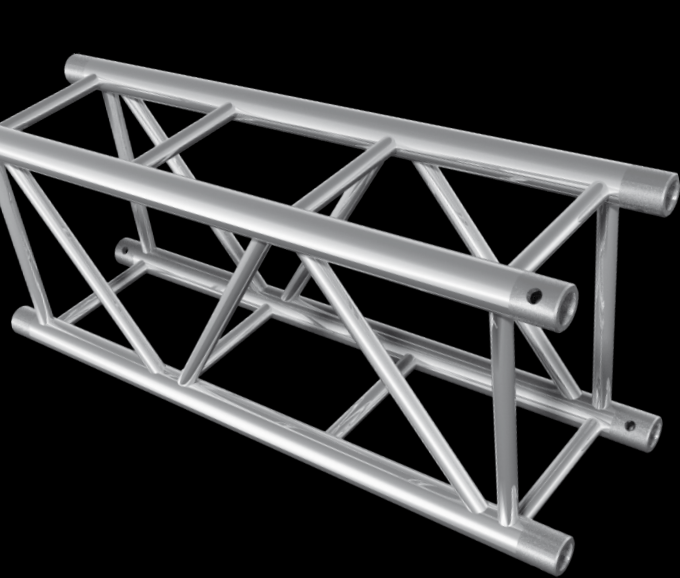
Truss Aluminium Factory a.s. (TAF) has been involved with the Sekoya Hotels and Resorts since 2017 in several projects. Starting the cooperation with delivery of arched roof 12x6x6m for the smaller events taking place in this always humming area up to the last two deliveries of custom made structures based on the design of the Sekoya Management.

Step one in building several trussing structures in Soho Garden was taken already in 2018 when the slanted roof structure with dimension of 17x9,5x11,8m was delivered to the premises as one of the main stages in the area so far. The complete structure was painted black and equipped with lights, speakers and LED screens in order to create a true stage for various music and show events. In long-term plans of the Sekoya Management lies a possibility of adding two wing structures to the existing roof structure to be

able to cover total of 285 sqm. The structure itself is already prepared for this extension from the very beginning and it might be one of the next steps in the Soho Garden project development.

The last stage of the mutually prosperous cooperation between TAF and Sekoya Management was put into production in summer 2019 with the installation taking place a couple of months later. Sekoya Management created very challenging design of two originally triangle structures that are placed next to each other in certain angle in order to create two identical stages for various artists to perform in. However, due to various anchoring and structural restrictions at the venue the entire project had to be re-evaluated in a very short time and in the end the structures took shape of 17x7x11,8m large trapezoid slanted units from TT54 trussing. Their height was accommodated in order to correspond with the already delivered slanted roof structure and thus finishing so far the astonishing view from Soho Garden to the outline of the Dubai city.

The CEO of TAF, Mr. Jaroslav Rozboril commented on the projects and cooperation in a very positive way: „It is an honour to cooperate with such innovative minds as the Sekoya Management people represent. Of course, every project has its difficulties but it is important to point out that challenges set before us are also pushing us forward and bringing new experiences and skills to our lives. We are glad that these structures made out of TAF products open new possibilities of entertainment in Soho Garden and the city of Dubai.“



SPECIFICATIONS

TUBES	50x3mm (2 x 0.12inch)
BRACES	25x3mm (1 x 0.12inch)
ALLOY	EN-AW 6082 T6



STRAIGHT SEGMENT LENGTHS

CODE	LENGTH		WEIGHT	
FTR4030-50	0.5m	1.64ft	6.4kg	14.02lb
FTR4030-100	1m	3.28ft	10.1kg	22.28lb
FTR4030-150	1.5m	4.92ft	13.4kg	29.53lb
FTR4030-200	2m	6.56ft	16.6kg	36.62lb
FTR4030-250	2.5m	8.20ft	19.9kg	43.82lb
FTR4030-300	3m	9.84ft	23.9kg	52.64lb
FTR4030-350	3.5m	11.48ft	26.8kg	59.06lb
FTR4030-400	4m	13.12ft	30.1kg	66.43lb

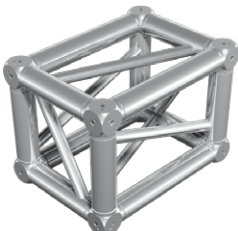
LOADING TABLES

	6m	8m	10m	12m	14m	16m	18m
Distrib. Load [kg/m]	464	261	167	115	85	63	47
Deflection [mm]	20.9	37.5	59.2	85.8	119.3	154.1	190
Point load [kg]	1392	1045	833	688	592	501	421
Deflection [mm]	16.8	30.2	47.7	69.5	97	126	156.3
	19.68ft	26.24ft	32.81ft	39.37ft	45.93ft	52.49ft	59.05ft
Distrib. Load [lb/ft]	311.8	175.4	112.2	77.3	57.1	42.3	31.6
Deflection [inch]	0.8	1.5	2.3	3.4	4.7	6.1	7.5
Point load [lb]	3069.4	2304.2	1836.8	1517	1305.4	1104.7	928.3
Deflection [inch]	0.7	1.2	1.9	2.7	3.8	5	6.2

Loading tables are valid for static loads and spans with two supporting points.

Spans must be supported at each end.

Contact structural engineer if there are more supporting points applied or dynamic and wind loads involved.



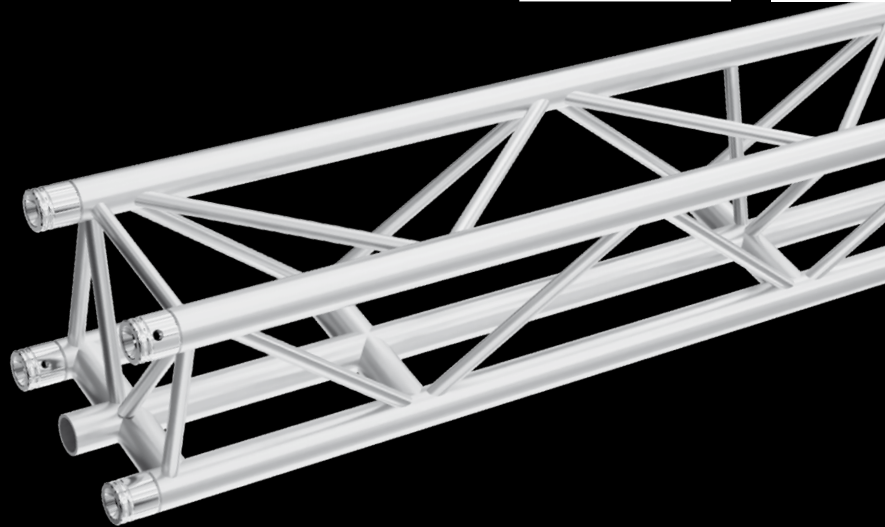
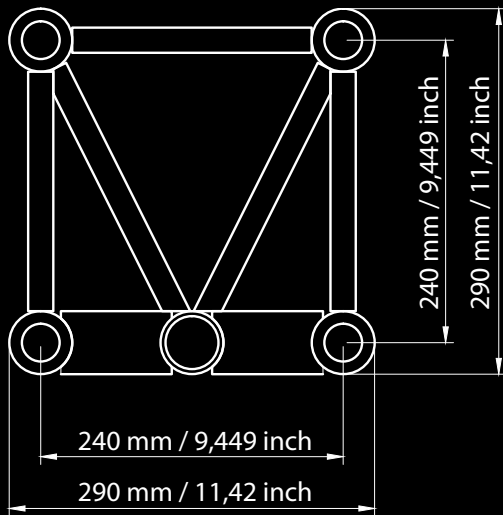
FTR4030-RCB

9.6kg (21.07lb)

Multi Connection Box

Includes 2 connection sets for two ways.*

TT35 box



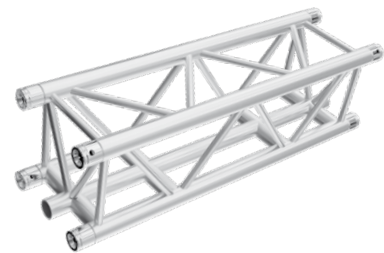
SPECIFICATIONS

TUBES	50x4mm (2.0 x 0.16 inch)
BRACES	20x2mm (0.78 x 0.08inch)
ALLOY	EN-AW 6082 T6



STRAIGHT SEGMENT LENGTHS

CODE	LENGTH		WEIGHT	
TT35-50	0.5m	1.64ft	6.3kg	13.89lbs
TT35-100	1m	3.28ft	12.2kg	26.90lbs
TT35-150	1,5m	4.92ft	17.5kg	38.58lbs
TT35-200	2m	6.56ft	21.5kg	47.40lbs
TT35-250	2,5m	8.20ft	26.5kg	58.42lbs
TT35-300	3m	9.84ft	31.0kg	68.34lbs



TT35



STRAIGHT SEGMENT

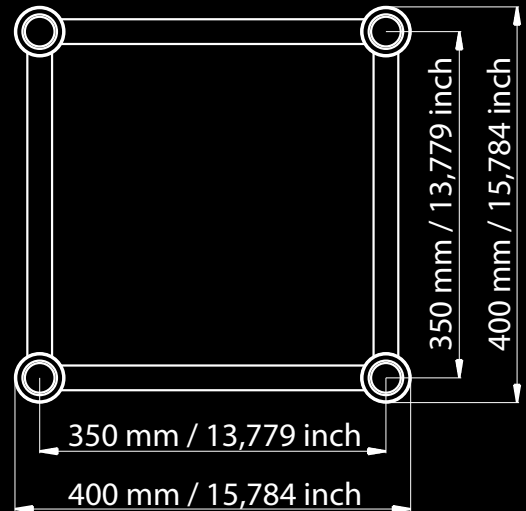
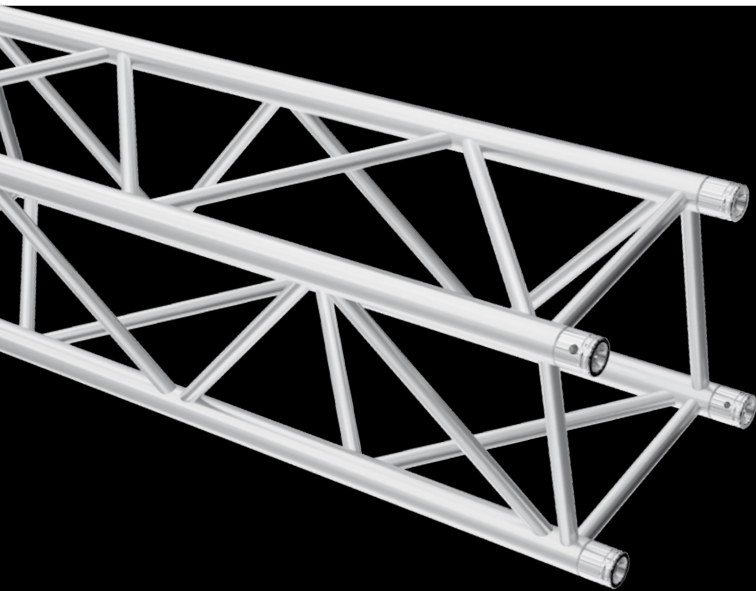
LOADING TABLE - COMPLETE TRUSS*

	6m	8m	10m	12m	14m	16m	18m	20m
Distrib. Load [kg/m]	369	204	126	84	57	40	26	15
Deflection [mm]	27.6	49.3	76.9	110.6	148.6	188.3	221.6	235.8
Point load [kg] (in L/2)	620	620	620	502	402	317	234	146
Deflection [mm]	12.8	31.1	62.0	91.2	123.9	159.3	191.1	209.7
Point load [kg] (in L/3)	620	612	472	377	302	238	176	109
Deflection [mm]	21.2	50.4	78.5	112.8	151.3	191.5	225.0	238.7
Point load [kg] (in L/4)	554	408	315	251	201	159	117	73
Deflection [mm]	26.2	47.0	73.4	105.8	142.4	181.0	214.0	229.3
	19.7ft	26.2ft	32.8ft	39.37ft	45.9ft	52.5ft	59.1ft	65.6ft
Distrib. Load [lb/ft]	247.96	137.1	84.7	56.4	38.3	26.9	17.5	10.1
Deflection [inch]	1.1	1.94	3.0	4.4	5.9	7.4	8.7	9.3
Point load [lb] (in L/2)	2440.5	1796.77	1386.7	1106.7	886.3	698.9	515.9	321.9
Deflection [inch]	0.9	1.6	2.5	3.6	4.9	6.3	7.5	8.3
Point load [lb] (in L/3)	1832.0	1349.2	1040.6	831.1	665.8	524.7	388.0	240.3
Deflection [inch]	1.1	1.98	3.1	4.4	5.96	7.5	8.9	9.4
Point load [lb] (in L/4)	1221.4	899.5	694.5	553.4	443.1	350.5	257.9	160.9
Deflection [inch]	1.0	1.9	2.9	4.2	5.6	7.1	8.4	9.0

Loading tables are valid for static loads and spans with two supporting points. Spans must be supported at each end. Contact structural engineer if there are more supporting points applied or dynamic and wind loads involved.

High values of distributed loads are idealized. Loads must be applied to knot points!

*The truss may be loaded only at the points of vertical diagonals - intersections loads only. Only vertical loads - the force vector must always aim directly to the ground.



SPECIFICATIONS

TUBES	50x4mm (2 x 0.16inch)
BRACES	25x3mm (1 x 0.12inch)
ALLOY	EN-AW 6082 T6



STRAIGHT SEGMENT LENGTHS

CODE	LENGTH		WEIGHT	
FT44-50	0.5m	1.64ft	7.0kg	15.43lbs
FT44-100	1m	3.28ft	11.9kg	26.24lbs
FT44-150	1.5m	4.92ft	16.3kg	35.94lbs
FT44-200	2m	6.56ft	20.6kg	45.42lbs
FT44-250	2.5m	8.20ft	25.0kg	55.12lbs

CODE	LENGTH		WEIGHT	
FT44-300	3m	9.84ft	30.0kg	66.14lbs
FT44-350	3.5m	11.48ft	34.0kg	74.96lbs
FT44-400	4m	13.12ft	38.6kg	85.10lbs
FT44-450	4.5m	14.76ft	42.6kg	93.92lbs
FT44-500	5m	16.40ft	47.5kg	104.72lbs

LOADING TABLES

	6m	8m	10m	12m	14m	16m	18m	20m
Distrib. Load [kg/m]	700	390	245	166	119	88	66	50
Deflection [mm]	24.3	43.5	68.1	98.3	134.2	175.8	221.1	267.2
Point load [kg]	2111	1561	1226	999	833	705	596	496
Deflection [mm]	19.6	35.1	55.2	80.2	110.1	145.4	184.6	225.5
	19.7ft	26.2ft	32.8ft	39.37ft	45.9ft	52.5ft	59.1ft	65.6ft
Distrib. Load [lb/ft]	470.4	262.1	164.6	111.5	80.0	59.1	44.3	33.6
Deflection [inch]	1.0	1.7	2.7	3.9	5.3	6.9	8.7	10.6
Point load [lb]	4654.0	3441.4	2702.9	2202.4	1836.5	1554.3	1314.0	1093.5
Deflection [inch]	0.7	1.4	2.2	3.2	4.3	5.7	7.3	8.9

Loading tables are valid for static loads and spans with two supporting points. Spans must be supported at each end. Contact structural engineer if there are more supporting points applied or dynamic and wind loads involved. The data is only valid for TT44 truss when diagonals are in the side faces.



TT44-MCB

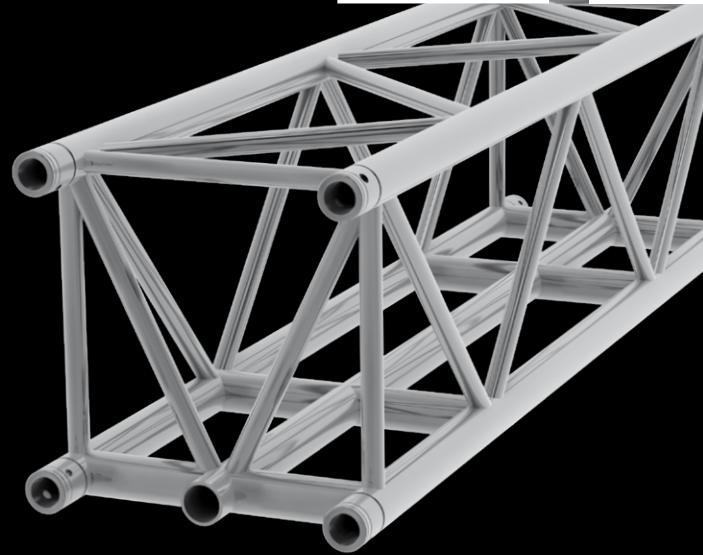
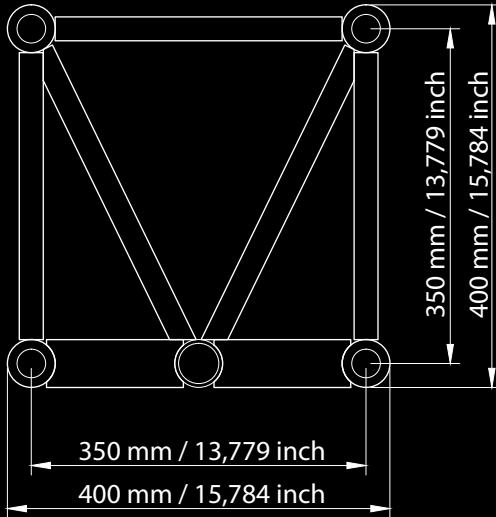
	13.2kg (29.1lb)
	Multi connection box
	0.4m (1.31ft)



TT44-C

	Circle various diameters
--	--------------------------

TT45 box



SPECIFICATIONS

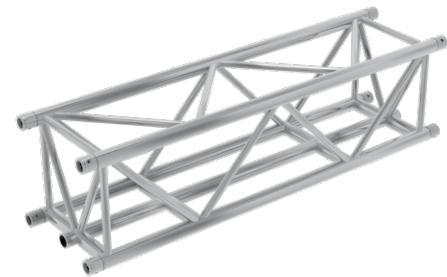
TUBES	50x4mm (2.0 x 0.16 inch)
BRACES	25x3mm (0.98 x 0.12 inch)
ALLOY	EN-AW 6082 T6

**TECH
SPECS**



STRAIGHT SEGMENT LENGTHS

CODE	LENGTH		WEIGHT	
TT45-50	0.5m	1.64ft	8.8kg	19.40lbs
TT45-100	1m	3.28ft	14.1kg	31.09lbs
TT45-150	1.5m	4.92ft	19.8kg	43.65lbs
TT45-200	2m	6.56ft	25.8kg	56.88lbs
TT45-250	2.5m	8.20ft	30.3kg	66.80lbs
TT45-300	3m	9.84ft	36.3kg	80.03lbs



TT45



STRAIGHT SEGMENT

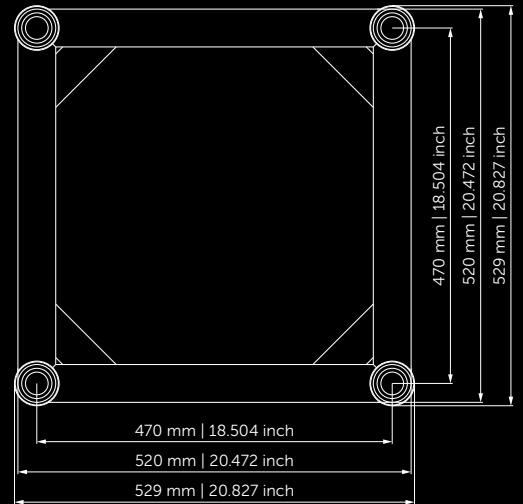
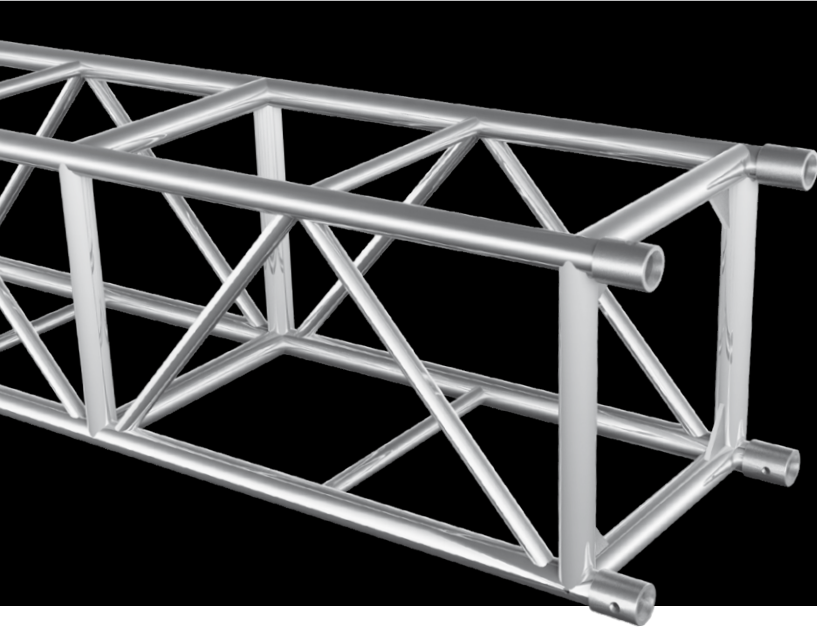
LOADING TABLE - COMPLETE TRUSS*

	6m	8m	10m	12m	14m	16m	18m	20m
Distrib. Load [kg/m]	618	342	214	145	103	75	56	42
Deflection [mm]	21.5	38.2	59.6	86.2	117.4	152.3	190.8	230.7
Point load [kg] (in L/2)	1855	1368	1070	871	723	604	506	419
Deflection [mm]	17.3	30.8	48.4	70.3	96.6	126.3	159.8	195.5
Point load [kg] (in L/3)	1391	1026	803	653	543	453	379	314
Deflection [mm]	22.0	39.0	60.9	87.9	119.7	155.2	194.2	234.7
Point load [kg] (in L/4)	928	684	535	435	362	302	253	209
Deflection [mm]	20.4	36.4	56.8	82.2	112.2	145.8	183.0	221.9
	19.7ft	26.2ft	32.8ft	37.4ft	45.9ft	52.5ft	59.1ft	65.6ft
Distrib. Load [lb/ft]	415.3	229.8	143.8	97.4	69.2	50.4	37.6	28.2
Deflection [inch]	0.9	1.5	2.4	3.4	4.6	5.6	7.5	9.1
Point load [lb] (in L/2)	4089.6	3015.9	2358.9	1920.2	1593.9	1331.6	1115.5	923.7
Deflection [inch]	0.7	1.2	1.9	2.8	3.8	5.0	6.3	7.7
Point load [lb] (in L/3)	3066.6	2261.9	1770.3	1439.6	1197.1	998.7	835.6	692.2
Deflection [inch]	0.9	1.5	2.4	3.5	4.7	6.1	7.6	9.2
Point load [lb] (in L/4)	2045.9	1508.0	1179.5	959.0	798.1	665.8	557.8	460.8
Deflection [inch]	0.8	0.8	2.2	3.2	4.4	5.7	7.2	8.7

Loading tables are valid for static loads and spans with two supporting points. Spans must be supported at each end. Contact structural engineer if there are more supporting points applied or dynamic and wind loads involved.

High values of distributed loads are idealized. Loads must be applied to knot points!

*The truss may be loaded only at the points of vertical diagonals - intersections loads only. Only vertical loads - the force vector must always aim directly to the ground.



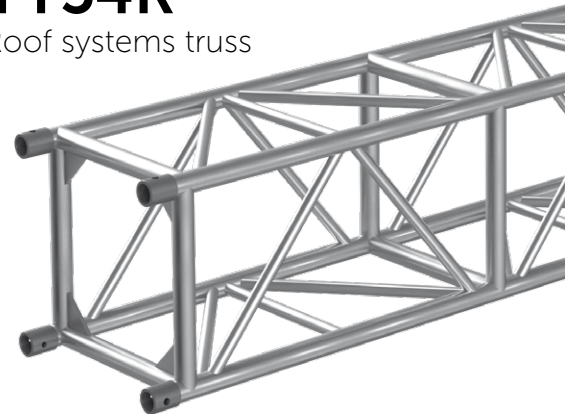
SPECIFICATIONS

TUBES	50x4mm (2 x 0.16inch)
BRACES	30x3mm (1.2 x 0.12inch)
ALLOY	EN-AW 6082 T6



TT54R

Roof systems truss



STRAIGHT SEGMENT LENGTHS

CODE	LENGTH		WEIGHT	
TT54-50	0.5m	1.64ft	11.8kg	26.05lb
TT54-100	1m	3.28ft	17.1kg	37.74lb
TT54-200	2m	6.56ft	28.5kg	62.84lb
TT54-250	2.5m	8.20ft	36.2kg	79.81lb
TT54-300	3m	9.84ft	39.7kg	87.57lb
TT54-400	4m	13.12ft	51.3kg	113.18lb

LOADING TABLES

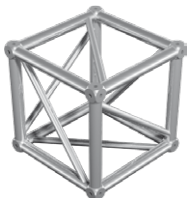
	6m	8m	10m	12m	14m	16m	18m	20m
Distrib. Load [kg/m]	729	409	259	177	128	93	69	52
Deflection [mm]	16.9	30.3	47.9	69.8	95.9	123.3	153.5	186.6
Point load [kg]	2188	1635	1296	1065	895	741	618	517
Deflection [mm]	14.1	25.3	40	58.1	79.9	102.7	128	155.5
	19.7ft	26.2ft	32.8ft	39.37ft	45.9ft	52.5ft	59.1ft	65.6ft
Distrib. Load [lb/ft]	489.9	274.9	174.1	118.95	86	62.5	46.4	34.9
Deflection [inch]	0.7	1.2	1.9	2.7	3.8	4.9	6	7.3
Point load [lb]	4824.5	3605.2	2857.7	2348.3	1973.5	1633.9	1362.7	1140
Deflection [inch]	0.6	1	1.6	2.3	3.1	4	5	6.1

Loading tables are valid for static loads and spans with two supporting points.

Spans must be supported at each end.

Contact structural engineer if there are more supporting points applied or dynamic and wind loads involved.

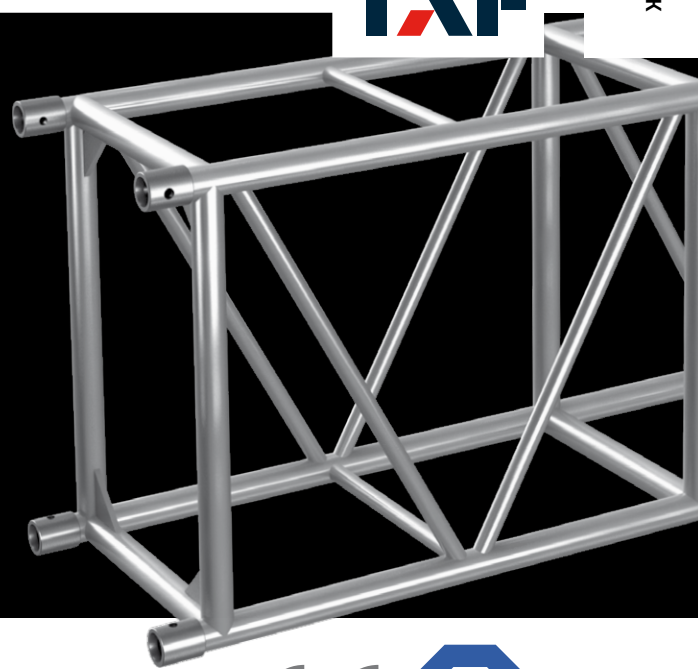
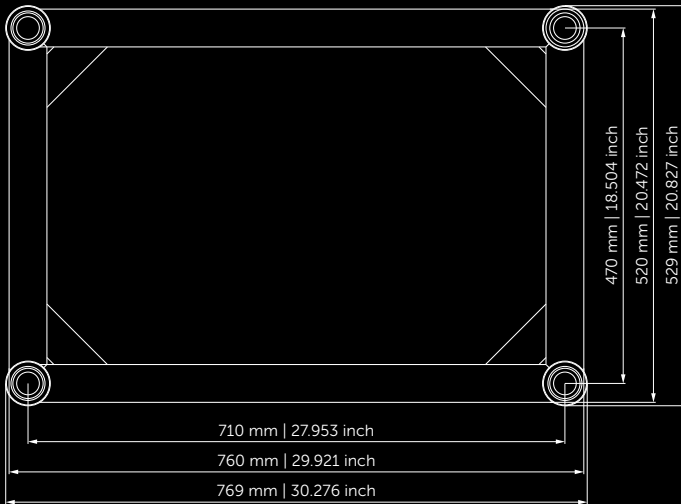
The data is only valid for TT54 truss when diagonals are in the side faces.



TT54-MCB

	17.9kg (39.54lb)
	Multi Connection Box

TT74 rectangle



SPECIFICATIONS

TUBES	50x4mm (2 x 0.16inch)
BRACES	30x3mm (1.2 x 0.12inch)
ALLOY	EN-AW 6082 T6

TECH
SPECS

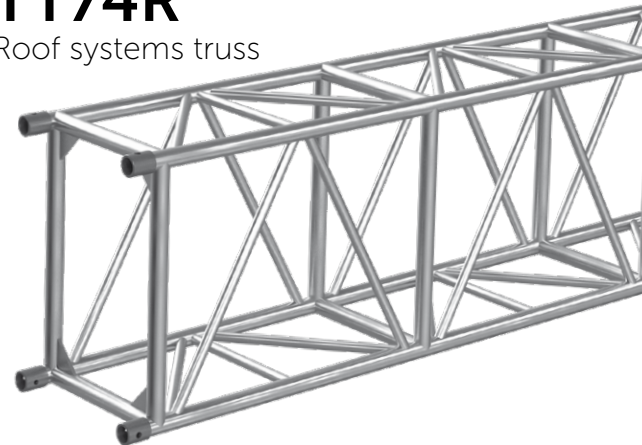


TT74R

Roof systems truss

STRAIGHT SEGMENT LENGTHS

CODE	LENGTH		WEIGHT	
TT74-50	0.5m	1.64ft	13.3kg	29.38lb
TT74-100	1m	3.28ft	19.2kg	42.30lb
TT74-200	2m	6.56ft	31.7kg	69.86lb
TT74-250	2.5m	8.20ft	41.0kg	90.43lb
TT74-300	3m	9.84ft	44.2kg	97.53lb
TT74-400	4m	13.12ft	56.5kg	124.51lb



LOADING TABLES

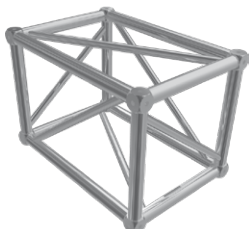
	6m	8m	10m	12m	14m	16m	18m	20m
Distrib. Load [kg/m]	713	530	394	270	195	146	112	88
Deflection [mm]	7.3	17.3	31.7	46.1	63.4	83.6	106.6	132.6
Point load [kg]	3116	2478	1968	1620	1365	1168	1009	877
Deflection [mm]	8.8	16.7	26.4	38.5	52.8	69.6	88.8	110.5
	19.7ft	26.2ft	32.8ft	39.37ft	45.9ft	52.5ft	59.1ft	65.6ft
Distrib. Load [lb/ft]	479.2	356.2	264.8	181.5	131	98.1	75.3	59.1
Deflection [inch]	0.3	0.7	1.2	1.8	2.5	3.3	4.2	5.2
Point load [lb]	6870.8	5464	4339.4	3572.1	3009.8	2575.4	2224.8	1933.8
Deflection [inch]	0.3	0.7	1	1.5	2.1	2.7	3.5	4.4

Loading tables are valid for static loads and spans with two supporting points.

Spans must be supported at each end.

Contact structural engineer if there are more supporting points applied or dynamic and wind loads involved.

The data is only valid for TT74 truss when diagonals are in the side faces.



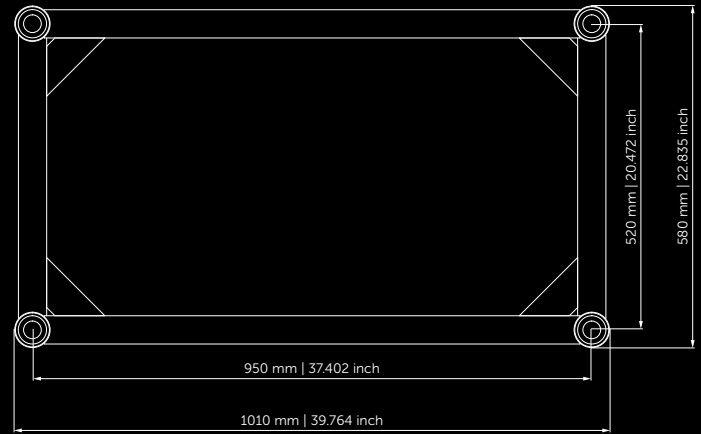
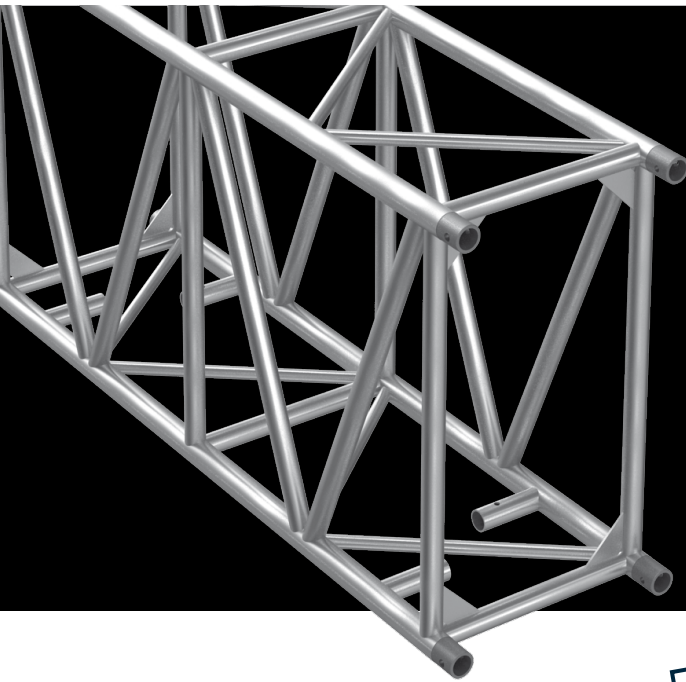
TT74-MCB



19.9kg (43.77lb)



Multi Connection Box



SPECIFICATIONS

TUBES	60x6mm (2.4 x 0.02inch)
BRACES	30x3mm (1.18 x 0.12inch)
ALLOY	EN-AW 6082 T6



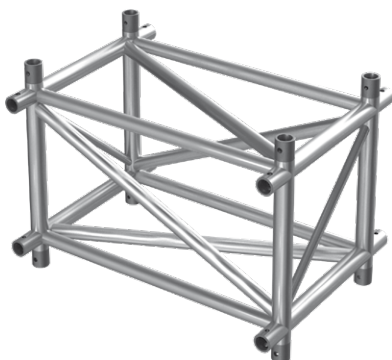
STRAIGHT SEGMENT LENGTHS

CODE	LENGTH		WEIGHT	
TT104-100	1m	3.28ft	30kg	66.14lb
TT104-200	2m	6.56ft	50kg	110.23lb
TT104-300	3m	9.84ft	70kg	154.32lb

LOADING TABLES

	8m	10m	12m	14m	16m	18m	20m	22m	24m	26m	28m	30m	32m	34m
Distrib. Load [kg/m]	1441.6	1148.7	835.7	607.9	460	358.7	286.2	232.5	191.7	160	134.8	114.4	97.8	84
Deflection [mm]	11.9	23.3	35.4	48.3	63.1	80	98.9	119.9	142.9	168.1	195.3	224.8	256.4	290.2
Point load [kg]	5880*	5157*	4513*	4000*	3570*	3196*	2861.7	2557.8	2300.7	2079.6	1886.8	1716.7	1564.9	1428.4
Deflection [mwm]	9.8	16.9	25.8	36.8	49.7	64.4	80.7	98.3	117.7	139.1	162.5	188	215.7	245.7
	26.2ft	32.8ft	39.37ft	45.9ft	52.5ft	59.1ft	65.6ft	72.2ft	78.7ft	85.3ft	91.9ft	98.4ft	105ft	111.6ft
Distrib. Load [lb/ft]	968.8	772.0	561.6	408.5	309.1	241.1	192.3	156.3	128.8	107.5	90.6	76.9	65.7	56.5
Deflection [inch]	0.5	0.9	1.4	1.9	2.5	3.1	3.9	4.7	5.6	6.6	7.7	8.9	10.1	11.4
Point load [lb]	12965.4	11371.2	9951.2	8820.0	7871.9	7047.2	6310.0	5639.9	5073.0	4585.5	4160.4	3785.3	3450.6	3149.6
Deflection [inch]	0.4	0.7	1.0	1.4	2.0	2.5	3.2	3.9	4.6	5.5	6.4	7.4	8.5	9.7

Loading tables are valid for static loads and spans with two supporting points. Spans must be supported at each end. Contact structural engineer if there are more supporting points applied or dynamic and wind loads involved.

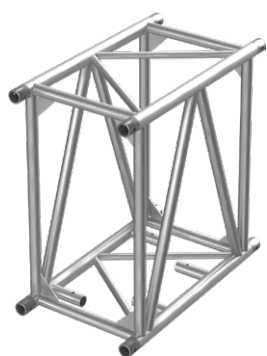


TT104-C41

	32.5kg (71.65lb)
	Multi Connection Box

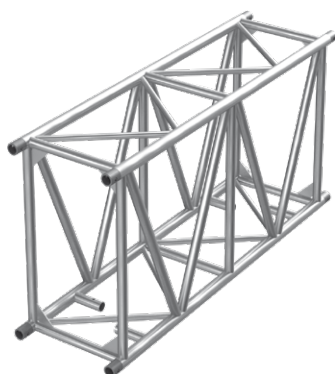
High values of distributed loads are idealized. Loads must be applied to knot points!

* limited by interaction of shear and moment at the connection
Displacement connection is decisive!



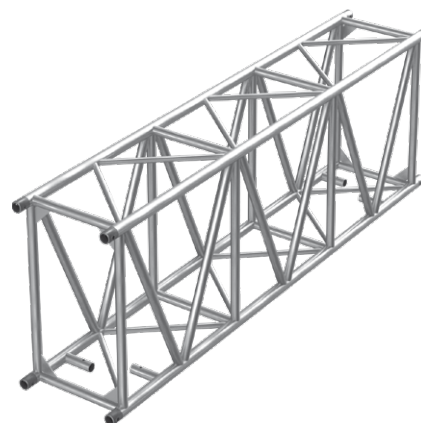
TT104-100

1m (3.28ft) straight segment



TT104-200

2m (6.56ft) straight segment



TT104-300

3m (9.84ft) straight segment





#3118

Connection set FT31



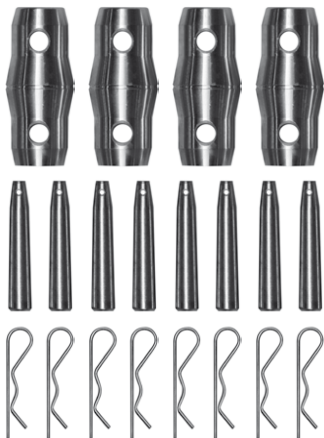
#3124

Connection set FT32, HT32,
FT42, HT42



#3135

Connection set FT33, HT33,
FT43, HT43



#3146

Connection set FT34, HT34,
FT44, HT44



#4346

Connection set FTR4030



#5446

Connection set TT54



#7446

Connection set TT74



#3101

Conical connector diam. 36mm
(1.61") FT31-HT44



#4341

Conical connector diam. 36mm
(1.61") FTR4030


#5441

 Conical connector diam. 45mm
(1.77") TT54, TT74

#3102

 Spacer 10mm (0.39") male
FT31-HT44

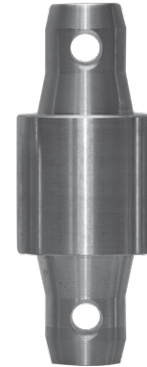
#3103

 Spacer 20mm (0.78") male
FT31-HT44

#3104

 Spacer 30mm (1.18") male
FT31-HT44

#3105

 Spacer 40mm (1.57") male
FT31-HT44

#3106

 Spacer 50mm (1.96") male
FT31-HT44

#3107

 Spacer 55mm (2.16") male
FT31-HT44

#3108

Adjustable Spacer 120-170mm


#3110

 Halfconnector male aluminium
+10mm (0.39") offset with M10
thread FT31-HT44



#3111

Halfconnector male aluminium +10mm (0.39") offset with M12 thread FT31-HT44



#3113

Halfconnector male aluminium with thread M10 FT31-HT44



#3114

Halfconnector male aluminium with thread M12 FT31-HT44



#3115

Halfconnector male steel with thread M10 FT31-HT44



#3116

Halfconnector male steel FT31-HT44 for M12



#3117

Female fitting FT31-HT44 for M12



#4345

Female fitting FTR4030 for M12



#5445

Female fitting TT54, TT74 for M16



#3120

Spacer 105mm (4.13") female FT31-HT44


#3121

 Spacer 170mm (6.69") female
FT31-HT44

#3122

 Spacer 210mm (8.27") female
FT31-HT44

#3150

Pin FT31-HT44


#3151

Pin with thread M8 FT31-HT44


#4342

Pin FTR4030


#4344

Pin M10 FTR4030


#7442

Pin TT54, TT74


#3152

Safety clip FT31-HT44


#4343

Safety clip FTR4030, TT54, TT74



#3109

Endcap FT31-HT44



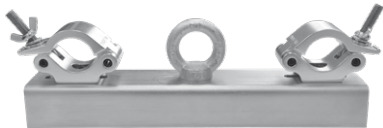
#8202

Corner brace in different lengths



#9502

Universal TV Holder FT32-HT44



#8013

Truss Holder FT32-HT44 1000kg

#8040

Truss Holder FT22-24 150kg



#8201

Universal clamp in different lengths



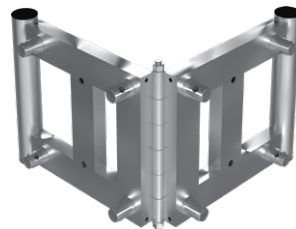
#8203

Truss ring for FT34, HT34



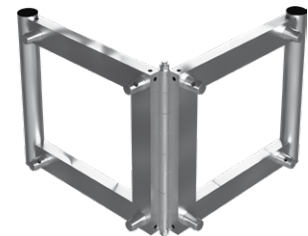
#8204

Clamp on outrigger for FT30 series



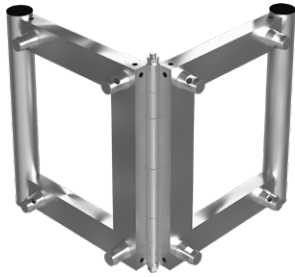
#8301

Book corner FT33, HT33, FT34, HT34

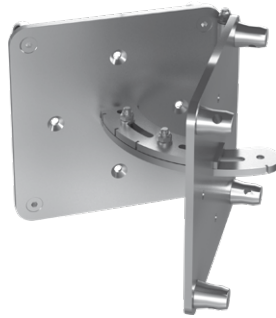


#8302

Book corner FT44, HT44


#8303

Book corner FTR4030


#8304

 Book corner plated FT33, HT33,
FT34, HT34

#8008

 Plastic carriers for FT33, HT33,
FT34, HT34

#3001

Base plate for FT31 male


#3002

Base plate for FT32 male


#3003

Base plate for FT33 male

#3001/W

Wall plate for FT31 male

#3002/W

Wall plate for FT32 male

#3003/W

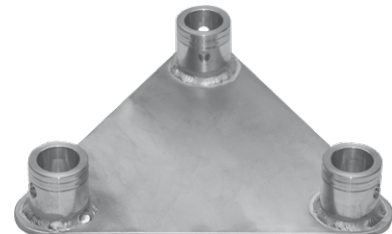
Wall plate for FT33 male


#3004

Base plate for FT34 male


#3002/F

Base plate for FT32 female


#3003/F

Base plate for FT33 female

#3004/W

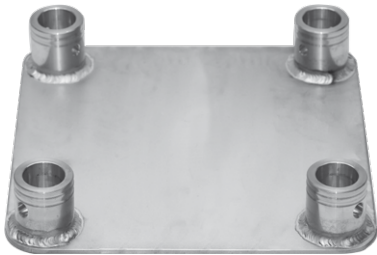
Wall plate for FT34 male

#3002/F/W

Wall plate for FT32 female

#3003/F/W

Wall plate for FT33 female



#3004/F

Base plate for FT34 female

#3004/F/W

Wall plate for FT34 female



#3007

Base plate for FT42 male

#3007/W

Wall plate for FT42 male



#3008

Base plate for FT43 male

#3008/W

Wall plate for FT43 male



#4004

Base plate for FT44 male

#4004/W

Wall plate for FT44 male

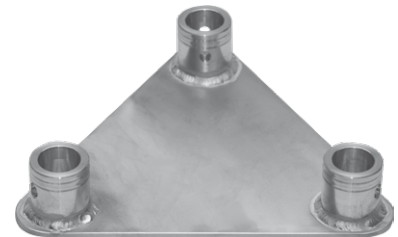


#3007/F

Base plate for FT42 female

#3007/F/W

Wall plate for FT42 female

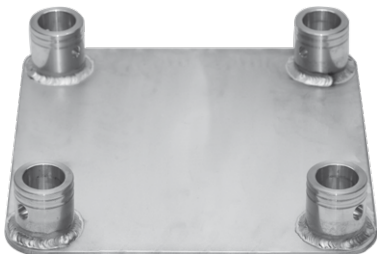


#3008/F

Base plate for FT43 female

#3008/F/W

Wall plate for FT43 female

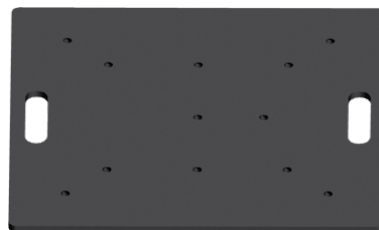


#4004/F

Base plate for FT44 female

#4004/F/W

Wall plate for FT44 female



#1000

Universal steel base plate;
black/zinc; 0.5x0.5x0.015m
(1.64x1.64ft); FT31-HT44



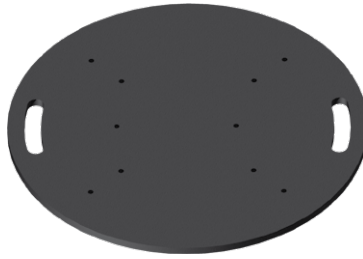
#1001

Universal steel base plate;
black/zinc; 0.8x0.8x0.015m
(2.62x2.62ft); FT31-HT44



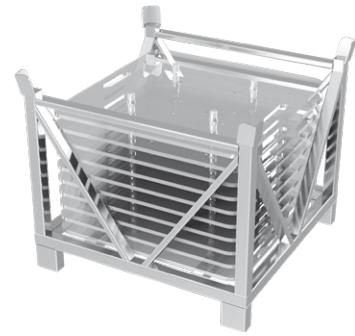
#3005

Universal base plate; aluminium
3x1ft; FT23, FT24, FT33, HT33,
FT34, HT34



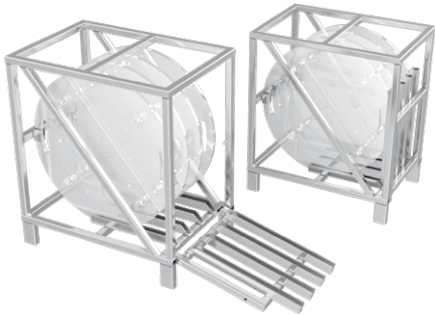
#3006

Universal base plate; black/zinc;
Ø 0.65x0.015m (2.13ft); FT33,
HT33, FT34, HT34, FT44, HT44



#1002

Dolly for Base Plates
800x800mm



#1003

Dolly for Base Plates Circle
Ø 650mm



QUICKLOCK LINE

U-Light Frame



U-Frame Design
The center point load of each unit is max. 50kg (110lb) in stable design configuration.



U-Frame Ladder
For ladder set up it is possible to hang max. 10 U-Frame units beneath each other without any extra rigging needed.

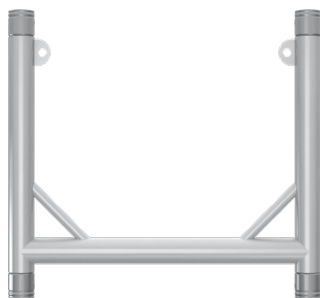
TAF introduces the U-Light Frame fitted for your various design, rigging and lighting needs. The U-Light Frame is build up from TAF standard single pipes (50x2mm) and accessories. It allows you to create endless variations and opens up new options in your lighting and rigging jobs.

The U-Lights Frame is fast to assemble using the standard conical quicklock connection. It is also

easily stackable, which is great for any transport. The U-Light Frame pieces can be extended by any standard FT31 truss product and accessories so no special parts are needed.

This highly modular system brings new opportunities and challenges to your creative design.

The U-Light Frame products are available in any RAL color at your request.



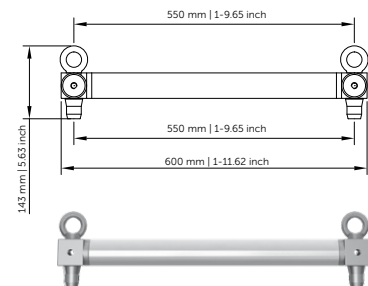
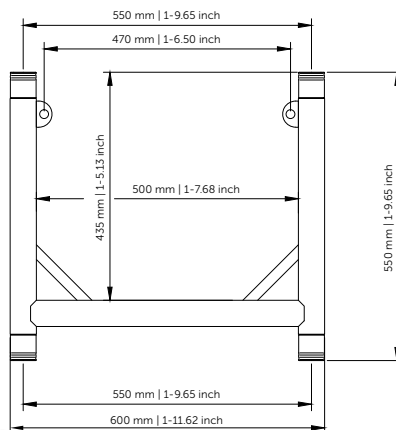
#5555



2.01kg (4,43lb)



U-Light Frame – Base



#5556

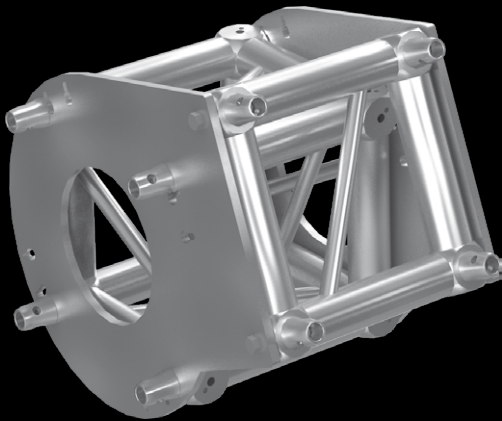


2,3kg (5,07lb)

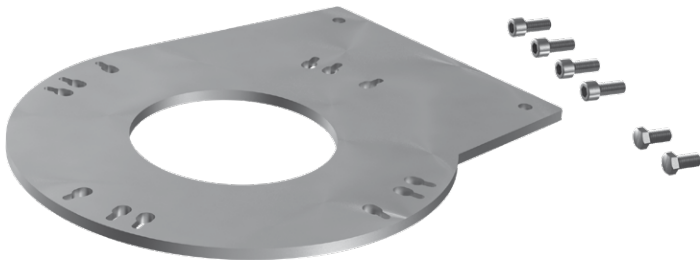


U-Light Frame - Top

VARIO PLATE #3010



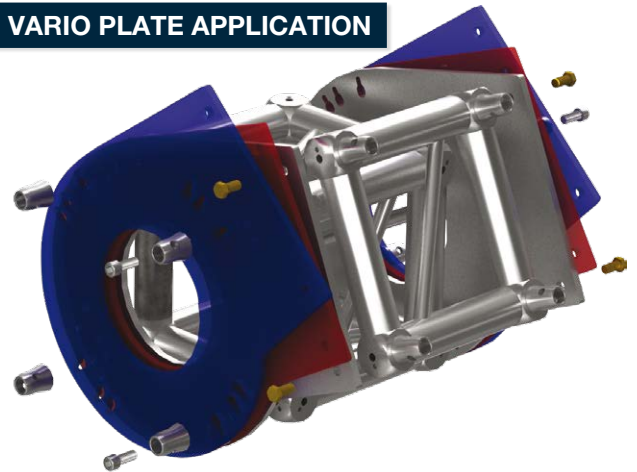
Vario Plate represents an additional feature to the FT34 and HT34 trussing lines and it gives you the possibility to be more creative in using standard parts of truss. The range of arches that is possible to build up with this item is really huge. No special corners necessary for creating arches from standard 290x290 (11.42x11.42inch) trussing. It is a neat solution for better modularity of the truss.



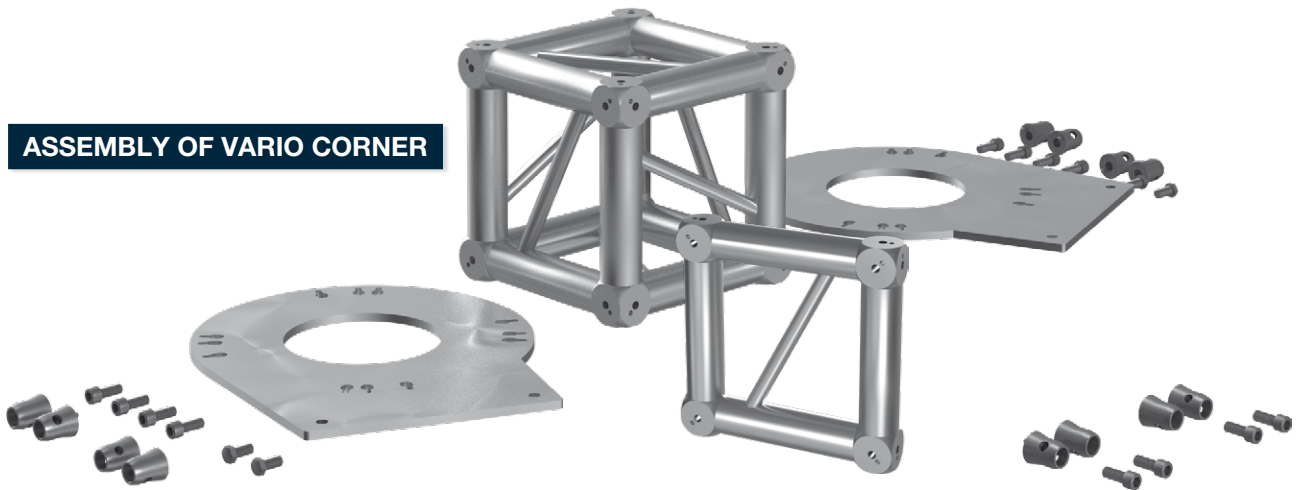
#3010

Vario plate
45°, 60°, 67.5°

VARIO PLATE APPLICATION



ASSEMBLY OF VARIO CORNER



#3116

4 pieces

FT34/HT34-MCB

1 piece

#3116

4 pieces

#3116

4 pieces

#3010

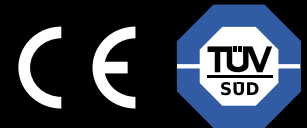
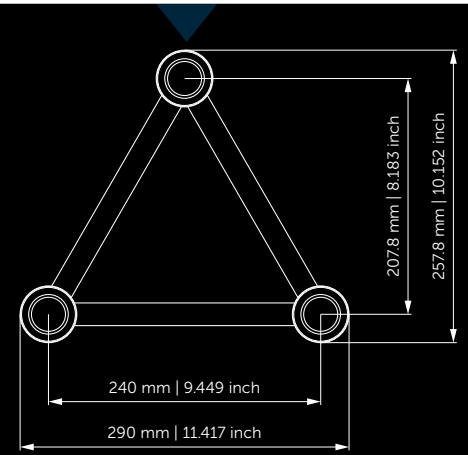
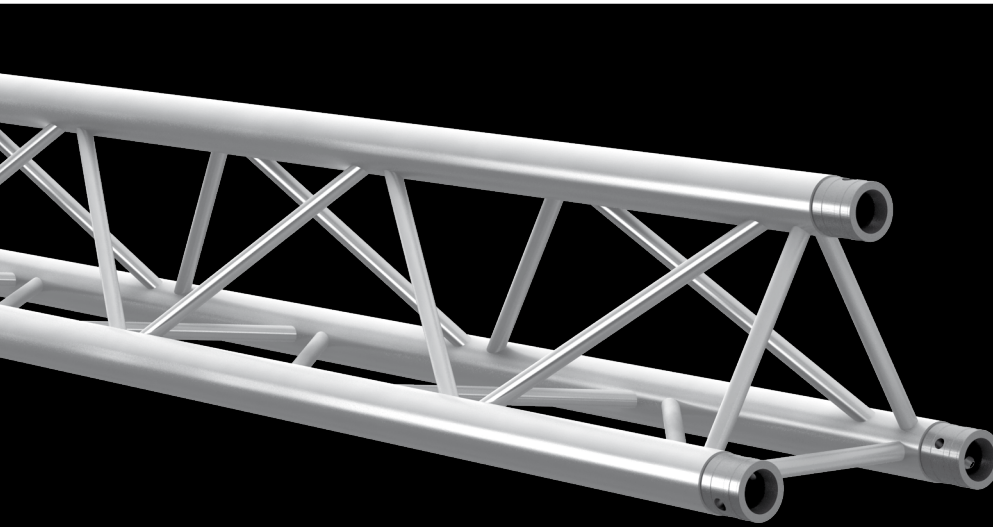
1 piece

FT34-32F/HT34-32F

1 piece

#3010

1 piece



SPECIFICATIONS

TUBES	50x2mm (2 x 0.08inch)
BRACES	16x2 mm (0.63 x 0.08inch)
ALLOY	EN-AW 6082 T6



STRAIGHT SEGMENT LENGTHS

CODE	LENGTH		WEIGHT	
PT33-50	0.5m	1.64ft	2.5kg	5.46lb
PT33-75	0.75	2.46ft	3.3kg	7.31lb
PT33-100	1m	3.28ft	4.1kg	9.13lb
PT33-150	1.5m	4.92ft	5.8kg	12.77lb
PT33-200	2m	6.56ft	7.4kg	16.41lb
PT33-250	2.5	8.2ft	9.1kg	20.04lb
PT33-300	3m	9.84ft	10.7kg	23.68lb
PT33-350	3.5m	11.48ft	12.4kg	27.32lb
PT33-400	4m	13.12ft	14.0kg	30.96lb
PT33-450	4.5m	14.76ft	15.7kg	34.60lb
PT33-500	5m	16.4ft	17.3kg	38.23lb

LOADING TABLES

	2 m	4 m	6 m	8 m	10 m	12 m
Distrib. Load [kg/m]	680	206	97	54	33	20
Deflection [mm]	2.3	11.5	28.1	51	78.3	107.2
Point load [kg]	761	413	292	217	163	133
Deflection [mm]	2.1	9.3	22.7	41.5	64.3	96
	6.56 ft	13.12 ft	19.68 ft	26.24 ft	32.81 ft	39.37ft
Distrib. Load [lb/ft]	457	138.4	65.2	36.3	22.2	13.4
Deflection [inch]	0.1	0.5	1.1	2	3.1	4.2
Point load [lb]	1678	910.7	643.9	478.5	359.4	293.3
Deflection [inch]	0.1	0.4	0.9	1.6	2.5	3.8

Loading tables are valid for static loads and spans with two supporting points.

Spans must be supported at each end.

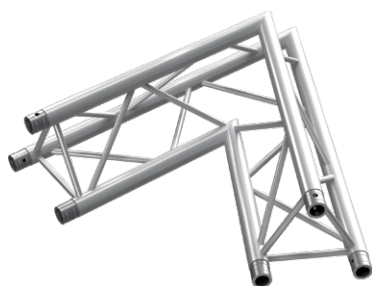
Contact structural engineer if there are more supporting points applied or dynamic and wind loads involved.

CORNERS



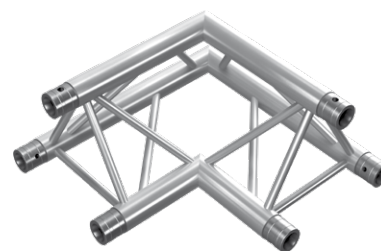
PT33-C19

5.3kg (11.77lb)
 2-way 45° corner
 1m (3.28ft)



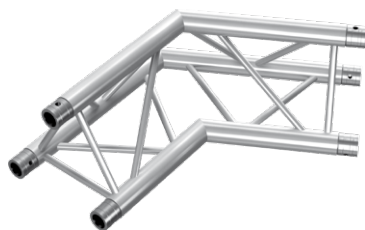
PT33-C20

6.0kg (13.12lb)
 2-way 60° corner
 1m (3.28ft)



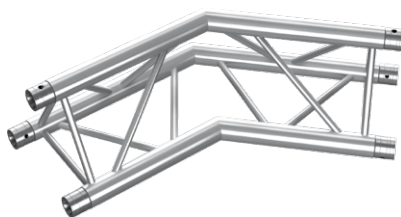
PT33-C21

3.4kg (7.45lb)
 2-way 90° corner
 0.5m (1.64ft)



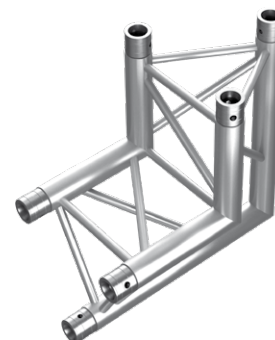
PT33-C22

3.7kg (8.26lb)
 2-way 120° corner
 0.5m (1.64ft)



PT33-C23

3.8kg (8.47lb)
 2-way 135° corner
 0.5m (1.64ft)



PT33-C24

3.2kg (7.10lb)
 2-way 90° corner apex out
 0.5m (1.64ft)



PT33-C24-R

3.2kg (6.98lb)
 2-way 90° corner apex out rounded
 0.5m (1.64ft)



PT33-C25

3.7kg (8.11lb)
 2-way 90° corner apex in
 0.5m (1.64ft)






PT33-C25-R

3.2kg (7.02lb)
 2-way 90° corner apex in rounded
 0.5m (1.64ft)






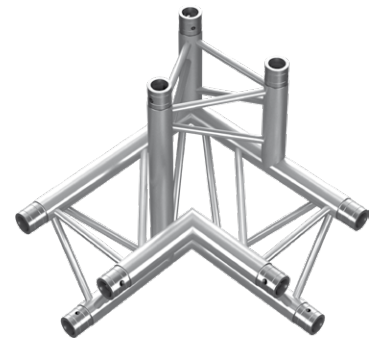
PT33-C30

 5.5kg (12.10lb)
 3-way 90° apex down
 universal
 0.5m (1.64ft)






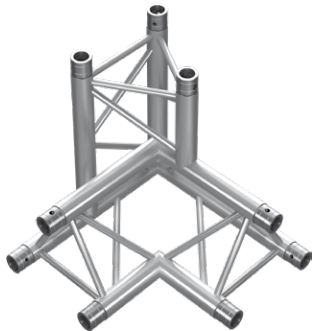
PT33-C31

 4.8kg (10.67lb)
 3-way 90° corner apex up
 right
 0.5m (1.64ft)






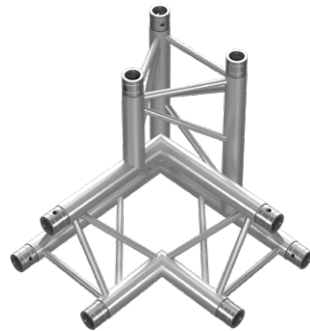
PT33-C32

 4.8kg (10.67lb)
 3-way 90° corner apex up
 left
 0.5m (1.64ft)






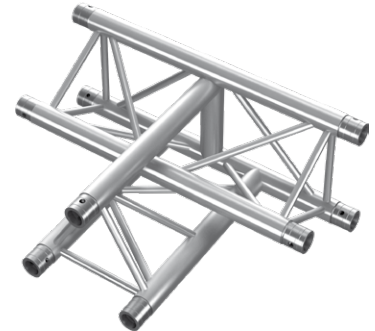
PT33-C33

 5.1kg (11.22lb)
 3-way 90° corner apex
 down right
 0.5m (1.64ft)






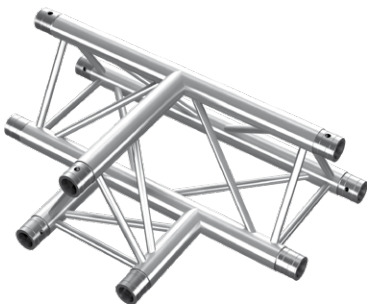
PT33-C34

 5.1kg (11.22lb)
 3-way 90° corner apex
 down left
 0.5m (1.64ft)






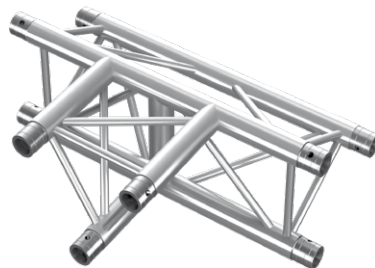
PT33-T35

 5.2kg (11.54lb)
 3-way vertical T-junction
 apex down
 0.71x0.5m (2.33x1.64ft)






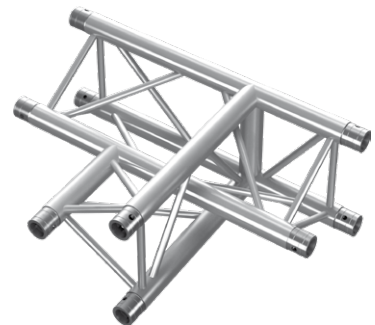
PT33-T36

 4.5kg (9.90lb)
 3-way horizontal T-junction
 0.71x0.5m (2.33x1.64ft)






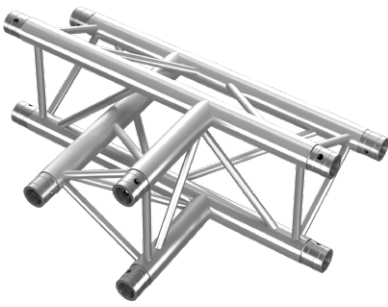
PT33-T37

 7.7kg (10.28lb)
 3-way horizontal T-junction
 apex up
 0.71x0.5m (2.33x1.64ft)

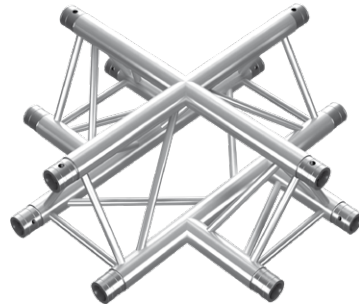


PT33-T38

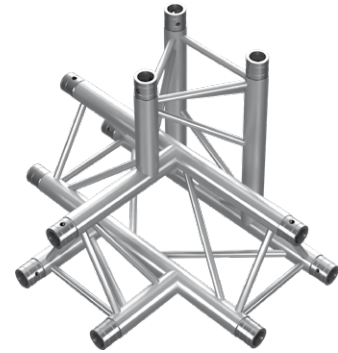
 5.1kg (11.34lb)
 3-way vertical T-junction
 apex down
 0.743x0.5m (2.44x1.64ft)


PT33-T39

4.7kg (10.45lb)
 3-way vertical T-junction
 0.743x0.5m (2.44x1.64ft)


PT33-C41

5.8kg (12.78lb)
 4-way cross junction
 0.71x0.71m (2.33x2.33ft)


PT33-T42

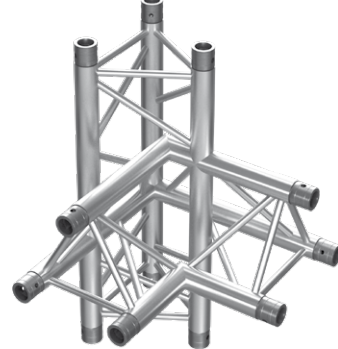
6.2kg (13.66lb)
 4-way T-junction apex down
 0.71x0.5x0.5m (2.33x1.64x1.64ft)


PT33-T43

6.0kg (13.12lb)
 4-way T-junction apex up
 0.71x0.5x0.5m (2.33x1.64x1.64ft)


PT33-C44

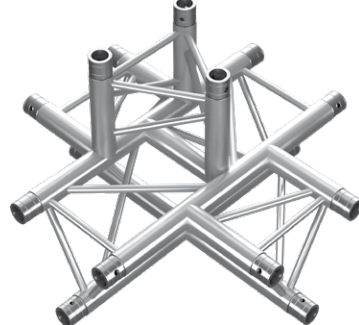
6.5kg (14.44lb)
 4-way 90° corner right
 0.743x0.5x0.5m (2.44x1.64x1.64ft)


PT33-C45

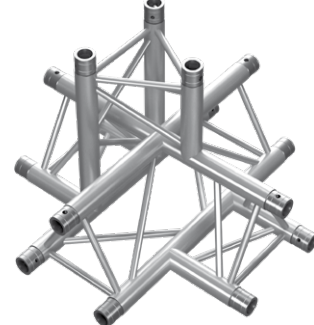
6.5kg (14.44lb)
 4-way 90° corner left
 0.743x0.5x0.5m (2.44x1.64x1.64ft)


PT33-T51

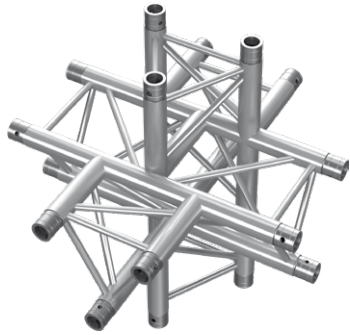
7.7kg (16.89lb)
 5-way T-junction apex down
 0.743x0.71x0.5 (2.44x2.33x1.64ft)


PT33-C52




7.3kg (16.01lb)
 5-way cross junction apex up
 0.71x0.71x0.5m (2.33x2.33x1.64ft)


PT33-C53

7.5kg (16.55lb)
 5-way cross junction apex down
 0.71x0.71x0.5m (2.33x2.33x1.64ft)




PT33-T61

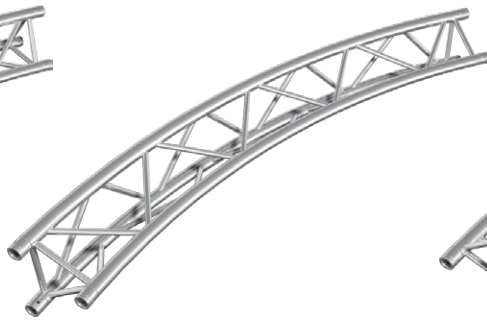
 9.0kg (19.77lb)
 6-way T-junction
 0.71x0.71x0.743
(2.33x2.33x2.44ft)

CIRCLES




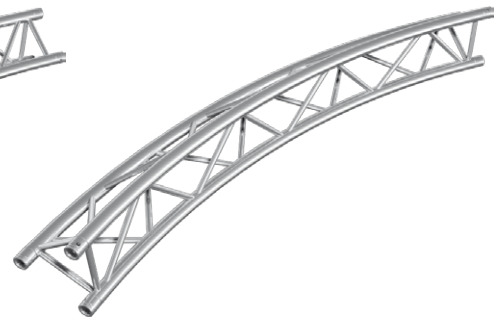
PT33-C1

 Circle apex up/down
various diameters




PT33-C2

 Circle apex in
various diameters



PT33-C2

 Circle apex out
various diameters

BLACK TRUSS



For several years there has been an increasing demand from the event production industry for truss structures in various colours among which the most popular is a standard black matt colour. The trusses can be basically powder coated in any RAL colour with several types of shine levels.

However, **the black matt colour is the most favourite one** for two basic reasons. First, the matt ensure that there is no reflection coming from the truss which is very important for any camera recorded event (TV sows, live broadcasts, concerts etc.). Second reason is that the black matt powder coated truss becomes almost invisible as far as the show is concerned and does not cause any distraction to the main event on the stage.

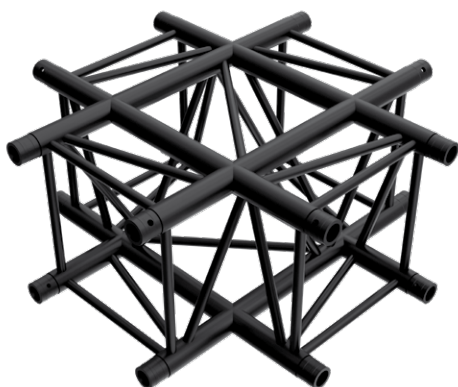
We are providing powder coating of any RAL colour to our complete range of products and just to bring the real product closer to you we introduced a new category of **BLACK TRUSS** at our website.

In general, the standard black powder coating finish comes out as a smooth layer of coat on the surface of the truss. The coating is very consistent

and is suitable for high end installations where design matters the most. For touring and rental purposes we would recommend to use as we called it structural powder coating where the coat is more harsh and the overall finish shows more plasticity. It is harder to remove from the truss and it is dent and scratch resistant to higher level than the standard coat. We provide both these options so everyone gets the best solution for their project.

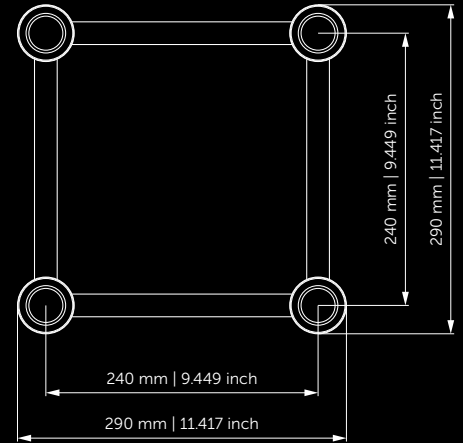
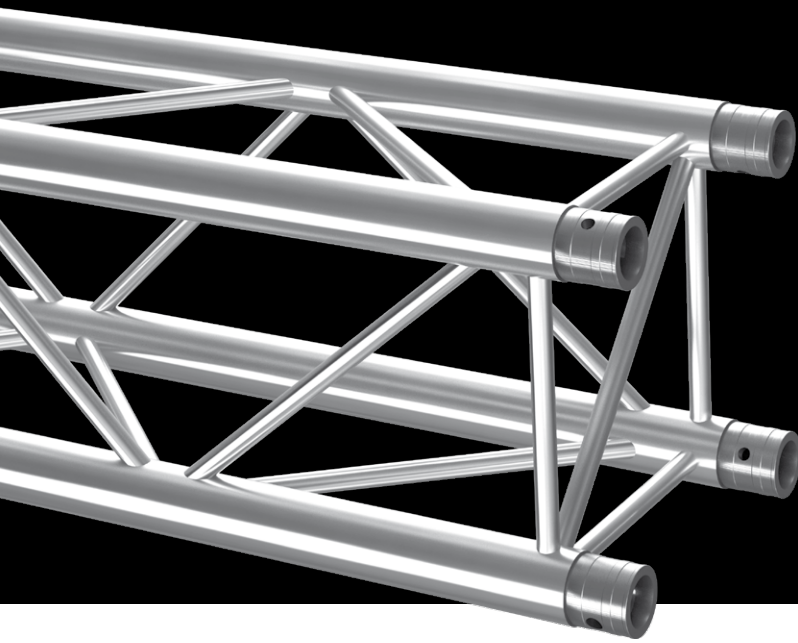
Powder coating is applied as a free-flowing dry powder through evaporating solvent to the product and then cured under the heat. It is necessary to remove all oil, dirt, grease, metal oxides etc. Prior to the application of the powder coat in order to ensure satisfying results of the complete proces.

The coated product is then cured at temperatures around 200°C for 10-15minutes depending on the used paint and thickness of the coating. We are working with highly professional powder coaters and that gives us great confidentiality in the final coated product.



QUICKLOCK LINE

PT34 / PTH34 box



SPECIFICATIONS PT34

TUBES	50x2mm (2 x 0.08inch)
BRACES	16x2mm (0.63 x 0.08inch)
ALLOY	EN-AW 6082 T6



SPECIFICATIONS PTH34

TUBES	48x3mm (1,89 x 0.12inch)
BRACES	16x2mm (0.63 x 0.08inch)
ALLOY	EN-AW 6082 T6

STRAIGHT SEGMENT LENGTHS PT34

CODE	LENGTH		WEIGHT	
PT34-50	0.5m	1.64ft	3.96kg	8.73lb
PT34-75	0.75	2.46ft	5.08kg	11.20lb
PT34-100	1m	3.28ft	6.17kg	13.60lb
PT34-150	1.5m	4.92ft	8.38kg	18.47lb
PT34-200	2m	6.56ft	10.58kg	23.32lb
PT34-250	2.5m	8.2ft	12.78kg	28.18lb
PT34-300	3m	9.84ft	14.98kg	33.03lb
PT34-350	3.5m	11.48ft	17.18kg	37.88lb
PT34-400	4m	13.12ft	19.38kg	42.73lb
PT34-450	4.5m	14.76ft	21.58kg	47.58lb
PT34-500	5m	16.4ft	23.78kg	52.43lb

STRAIGHT SEGMENT LENGTHS PTH34

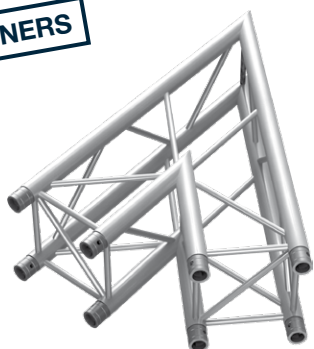
CODE	LENGTH		WEIGHT	
PTH34-50	0.5m	1.64ft	4.60kg	10.14lb
PTH34-75	0.75	2.46ft	6.23kg	13.73lb
PTH34-100	1m	3.28ft	7.66kg	16.90lb
PTH34-150	1.5m	4.92ft	10.48kg	23.10lb
PTH34-200	2m	6.56ft	13.38kg	29.50lb
PTH34-250	2.5	8.2ft	16.24kg	35.80lb
PTH34-300	3m	9.84ft	19.10kg	42.11lb
PTH34-350	3.5m	11.48ft	21.96kg	48.41lb
PTH34-400	4m	13.12ft	24.82kg	54.72lb
PTH34-450	4.5m	14.76ft	27.68kg	61.03lb
PTH34-500	5m	16.4ft	30.54kg	67.33lb

LOADING TABLES PT34 / PTH34

	2m		4m		6m		8m		10m		12m	
Distrib. Load [kg/m]	785	726	390	359	229	237	130	175	81	124	53	83
Deflection [mm]	1.4	0.9	10.8	7.2	32.5	24.2	59.3	57.5	92.5	101.1	130.3	144.9
Point load [kg]	1570	1452	961	1436	688	1096	520	802	406	618	321	496
Deflection [mm]	2.2	1.4	10.7	11.4	26.2	29.7	47.9	52.8	75.1	82.2	106.6	118.8
	6.56ft		13.12ft		19.68ft		26.24ft		32.81ft		39.37ft	
Distrib. Load [lb/ft]	527.6	487.8	262.1	241.2	153.9	159.3	87.4	117.6	54.4	83.3	35.6	55.8
Deflection [inch]	0.1	0.04	0.4	0.3	1.3	1.0	2.3	2.3	3.6	4.0	5.1	5.7
Point load [lb]	3461.9	3201.1	2119	3165.8	1517	2416.3	1146.6	1768.1	895.2	1362.5	707.8	1093.5
Deflection [inch]	0.1	0.1	0.4	0.5	1	1.2	1.9	2.1	3	3.2	4.2	4.7

Loading tables are valid for static loads and spans with two supporting points. Spans must be supported at each end. Contact structural engineer if there are more supporting points applied or dynamic and wind loads involved.

CORNERS



PT34-C19

7.3kg
(16.20lb)
 2-way 45° corner
 1m (3.28ft)

PTH34-C19

10.04kg
(22.13lb)

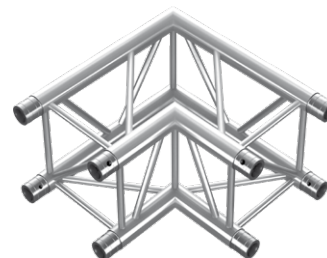


PT34-C20

8.2kg
(18.01lb)
 2-way 60° corner
 1m (3.28ft)

PTH34-C20

10.04kg
(22.13lb)

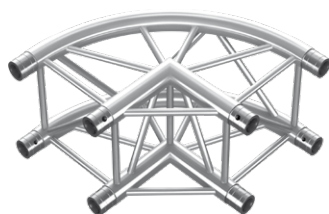


PT34-C21

4.7kg
(10.31lb)
 2-way 90° corner
 0.5m (1.64ft)

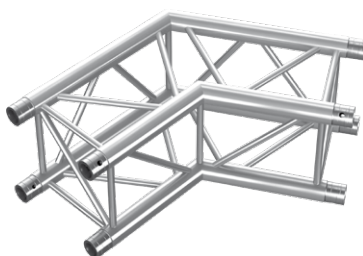
PTH34-C21

6.36kg
(14.02lb)



PT34-C21-R

4.4kg (9.71lb)
 2-way 90° corner rounded
 0.5m (1.64ft)

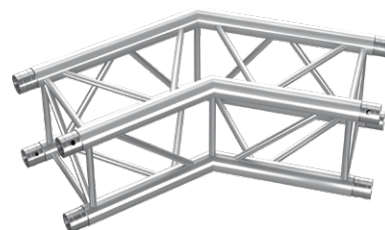


PT34-C22

5.3kg
(11.60lb)
 2-way 120° corner
 0.5m (1.64ft)

PTH34-C22

7.25kg
(15.98lb)

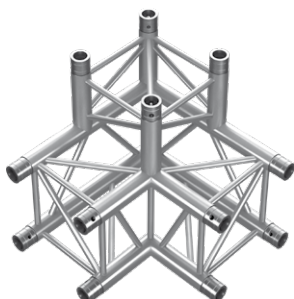


PT34-C23

5.4kg
(11.88lb)
 2-way 135° corner
 0.5m (1.64ft)

PTH34-C23

7.25kg
(15.98lb)

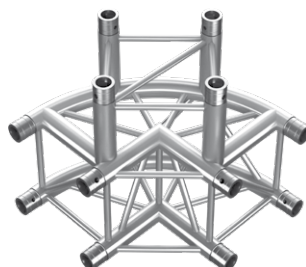


PT34-C30

6.4kg
(14.02lb)
 3-way 90° corner
 0.5m (1.64ft)

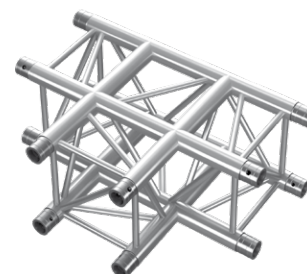
PTH34-C30

8.68kg
(19.14lb)



PT34-C30-R

6.3kg (13.80lb)
 3-way 90° corner rounded
 0.5m (1.64ft)

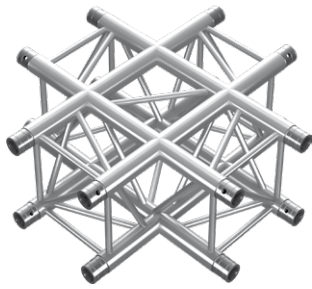


PT34-T35




7.0kg
(15.42lb)
 3-way T-junction
 0.71x0.5m (2.33x1.64ft)

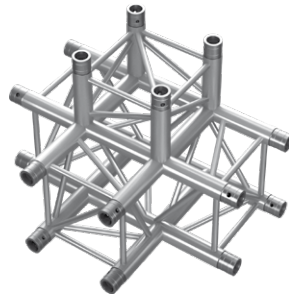
PTH34-T35

9.2kg
(20.28lb)




PT34-C41




 8.7kg
 (19.16lb)
 4-way cross junction
 0.71x0.71m (2.33x2.33ft)




PTH34-C41

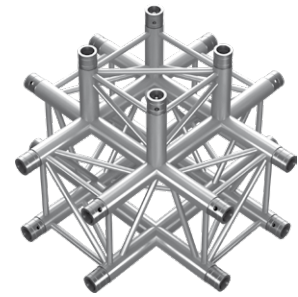
 11.44kg
 (25.22lb)

PT34-T42




 8.5kg
 (18.80lb)
 4-way T-junction
 0.71x0.5x0.5m
 (2.33x1.64x1.64ft)

PTH34-T42


 11.44kg
 (25.22lb)

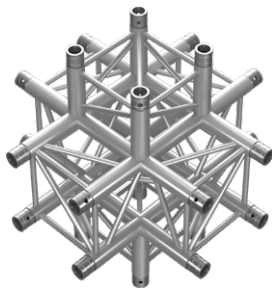


PT34-C55




 9.2kg
 (20.25lb)
 5-way T-junction
 0.71x0.71x0.5m
 (2.33x2.33x1.64ft)

PTH34-C55

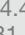
 12.7kg (28lb)

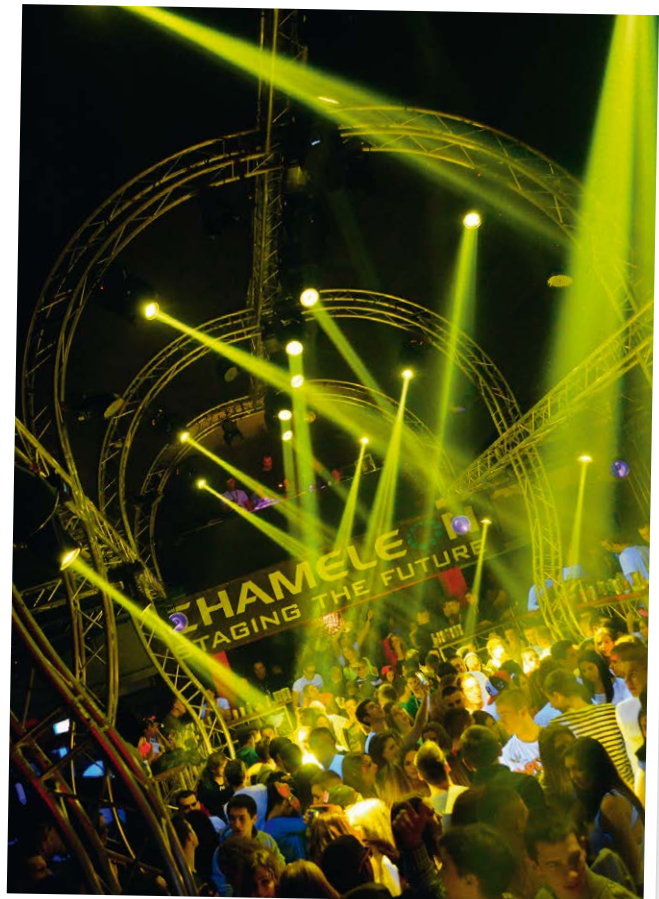


PT34-C60

 11.2kg
 (24.72lb)
 6-way T-junction
 0.71x0.71x0.71m
 (2.33x2.33x2.33ft)

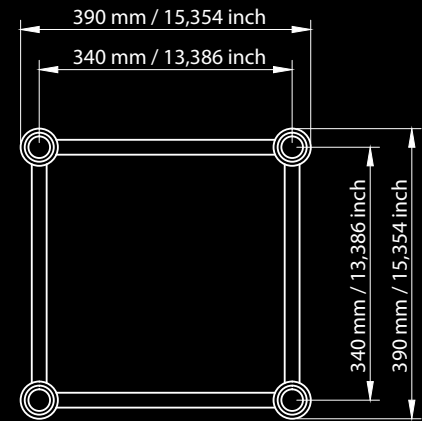
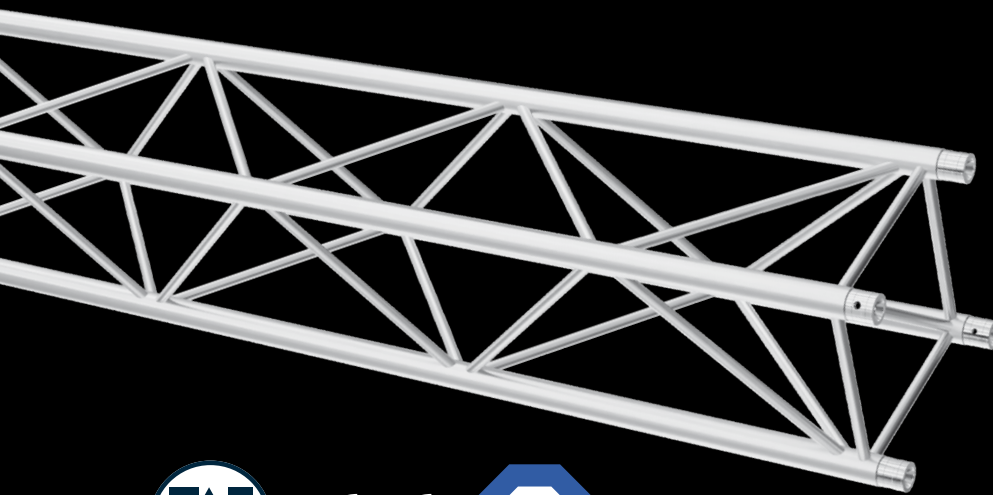
PTH34-C60

 14.42kg
 (31.79lb)





QUICKLOCK LINE PT44 / PTH44 box



SPECIFICATIONS PT44

TUBES	50x2mm (1.96 x 0,08 inch)
BRACES	20x2mm (0.78 x 0.08 inch)
ALLOY	EN-AW 6082 T6

**TECH
SPECS**

SPECIFICATIONS PTH44

TUBES	48x3mm (1.89 x 0.12 inch)
BRACES	20x2mm (0.78 x 0.08 inch)
ALLOY	EN-AW 6082 T6

STRAIGHT SEGMENT LENGTHS PT44

CODE	LENGTH		WEIGHT	
PT44-21	0.21m	0.69ft	3.19kg	7.03lbs
PT44-25	0.25m	0.82ft	3.30kg	7.34lbs
PT44-29	0.29m	0.95ft	3.50kg	7.7lbs
PT44-50	0.50m	1.64ft	4.70kg	10.3lbs
PT44-75	0.75m	2.46ft	5.90kg	13.01lbs
PT44-100	1m	3.28ft	7.30kg	16.0lbs
PT44-125	1.25m	4.10ft	8.20kg	18.08lbs
PT44-150	1.5m	4.92ft	9.60kg	21.1lbs
PT44-175	1.75m	5.74ft	10.80kg	23.81lbs
PT44-200	2m	6.56ft	11.90kg	26.1lbs
PT44-225	2.25m	7.38ft	13.00kg	28.7lbs
PT44-250	2.5m	8.20ft	14.40kg	31.7lbs
PT44-275	2.75m	9.02ft	15.60kg	34.39lbs
PT44-300	3m	9.84ft	16.70kg	36.8lbs
PT44-350	3.5m	11.48ft	19.20kg	42.33lbs
PT44-400	4m	13.12ft	21.00kg	47.6lbs
PT44-450	4.5m	14.76ft	24.20kg	53.35lbs
PT44-500	5m	16.40ft	26.40kg	58.2lbs

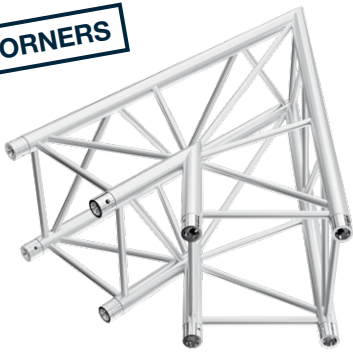
STRAIGHT SEGMENT LENGTHS PTH44

CODE	LENGTH		WEIGHT	
PTH44-21	0.21m	0.69ft	3.6kg	7.94lbs
PTH44-25	0.25m	0.82ft	3.8kg	8.38lbs
PTH44-29	0.29m	0.95ft	4.0kg	8.82lbs
PTH44-50	0.50m	1.64ft	5.5kg	12.13lbs
PTH44-75	0.75m	2.46ft	7.1kg	15.65lbs
PTH44-100	1m	3.28ft	8.7kg	19.18lbs
PTH44-125	1.25m	4.10ft	10.0kg	22.05lbs
PTH44-150	1.5m	4.92ft	11.6kg	25.57lbs
PTH44-175	1.75m	5.74ft	13.3kg	29.32lbs
PTH44-200	2m	6.56ft	14.7kg	32.41lbs
PTH44-225	2.25m	7.38ft	16.2kg	35.71lbs
PTH44-250	2.5m	8.20ft	17.9kg	39.46lbs
PTH44-275	2.75m	9.02ft	19.4kg	42.77lbs
PTH44-300	3m	9.84ft	20.8kg	45.86lbs
PTH44-350	3.5m	11.48ft	24.1kg	53.13lbs
PTH44-400	4m	13.12ft	27.0kg	59.52lbs
PTH44-450	4.5m	14.76ft	30.4kg	67.02lbs
PTH44-500	5m	16.40ft	33.2kg	73.19lbs

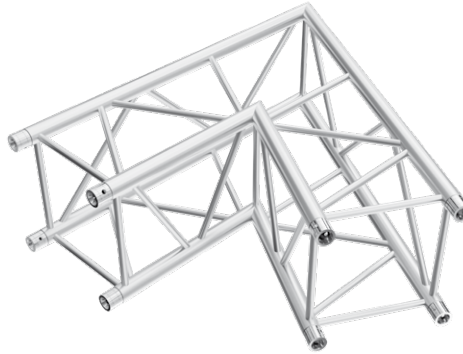
LOADING TABLES PT44 / PTH44

	2m		4m		6m		8m		10m		12m	
Distrib. Load [kg/m]	1045	835	519	414	344	274	204	204	130	162	89	126
Deflection [mm]	0.9	0.5	7.2	4.1	24.3	13.8	46.1	32.8	73.1	64.1	106.0	104.6
Point load [kg]	2090	1669	1670	1656	1090	1483	814	1138	649	913	531	755
Deflection [mm]	1.4	0.8	9.2	6.5	20.6	19.8	37.2	36.5	59.3	58.1	86.4	84.8
	6.56ft		13.12ft		19.68ft		26.24ft		32.81ft		39.37ft	
Distrib. Load [lb/ft]	702.2	561.1	348.8	278.2	231.2	184.1	137.1	137.1	87.4	108.9	59.8	84.7
Deflection [inch]	0.04	0.002	0.3	0.01	1.0	0.05	1.8	0.1	2.9	0.2	4.2	0.3
Point load [lb]	82.3	3679.5	65.7	3650.9	2.9	3269.5	32.0	2508.9	25.6	2012.8	20.9	1664.5
Deflection [inch]	0.1	0.03	0.4	0.3	0.8	0.8	1.5	1.4	2.3	2.3	3.4	3.3

Loading tables are valid for static loads and spans with two supporting points. Spans must be supported at each end. Contact structural engineer if there are more supporting points applied or dynamic and wind loads involved. High values of distributed loads are idealized. Loads must be applied to knot points!

CORNERS

PT44-C19

10.6kg
(23.37lb)
 2-way 45° corner
 1.2 m (3.94ft)


PTH44-C19

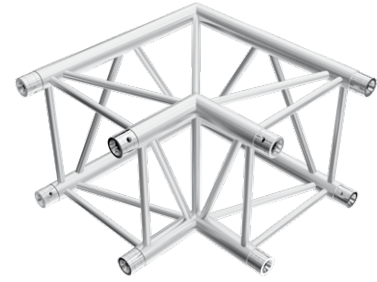
12.3kg
(27.12lb)

PT44-C20

10.9kg
(24.03lb)
 2-way 60° corner
 1.2 m (3.94ft)

PTH44-C20

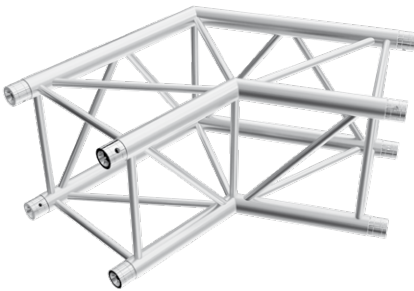
13.4kg
(29.54lb)


PT44-C21

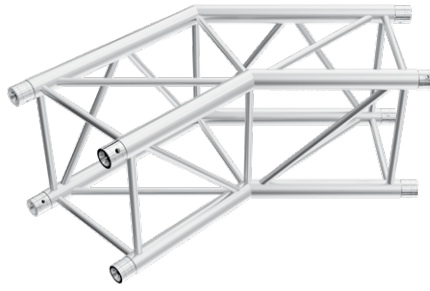
6.5kg
(14.33lb)
 2-way 90° corner
 0.6 m (1.97ft)

PTH44-C21

7.8kg
(17.2lb)


PT44-C22

6.9kg
(15.21lb)
 2-way 120° corner
 0.6 m (1.97ft)


PTH44-C22

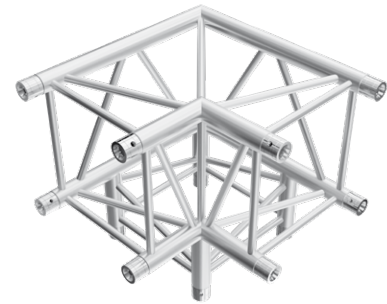
8.4kg
(18.52lb)

PT44-C23

7.3kg
(16.09lb)
 2-way 120° corner
 0.6 m (1.97ft)

PTH44-C23

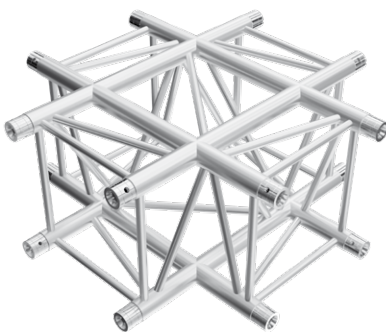
8.87kg
(19.56lb)


PT44-C30

8.7kg
(19.18lb)
 3 way 90° corner
 0.6 m (1.97ft)

PTH44-C30

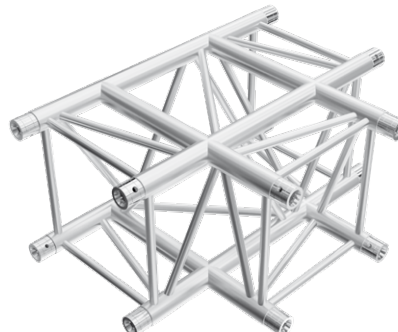
10.4kg
(22.93lb)


PT44-C41

11.9kg
(26.24lb)
 4 way cross junction
 0.81 m (2.66ft)

PTH44-C41

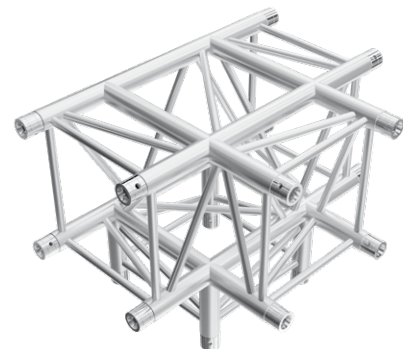
14.2kg
(31.31lb)


PT44-T35

9.6kg
(21.16lb)
 3-way T-junction
 0.81x0.6m (2.66x1.97ft)

PTH44-T35

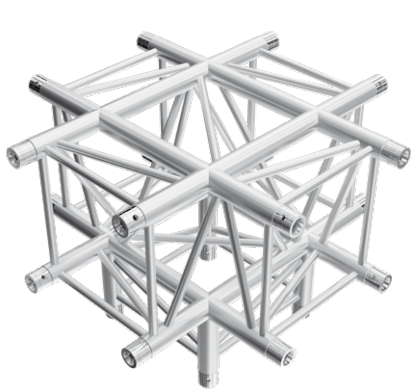
11.6kg
(25.57lb)


PT44-T42

11.8 kg
(26.01lb)
 4 way T-junction
 0.81x0.6m (2.66x1.97ft)

PTH44-T42

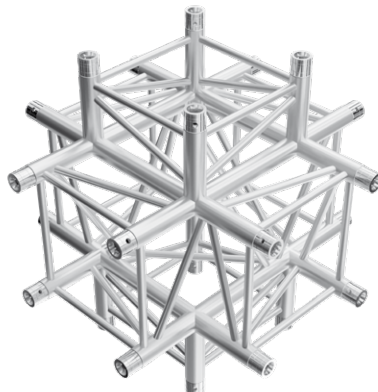
14.1kg
(31.09lb)



PT44-C51

14.1kg
(31.09lb)

5 way junction
0.81 m (2.66ft)



PTH44-C51

16.8kg
(37.04lb)

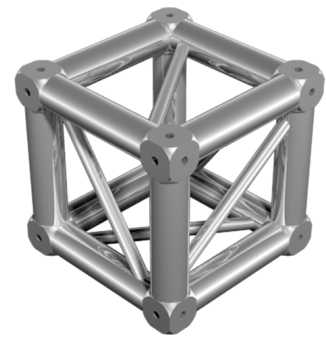
PT44-C61

16.33kg
(36lb)

6 way junction
0.81 m (2.66ft)

PTH44-C61

19.5kg
(42.99lb)



PT44-MCB

8kg
(17.64lb)

Multi connection box
0.39 m (1.28ft)

PTH44-MCB

8kg
(17.64lb)



PT44-C

9.6kg
(21.16lb)

Circle various diameters
0.39 m (1.28ft)

PTH44-C

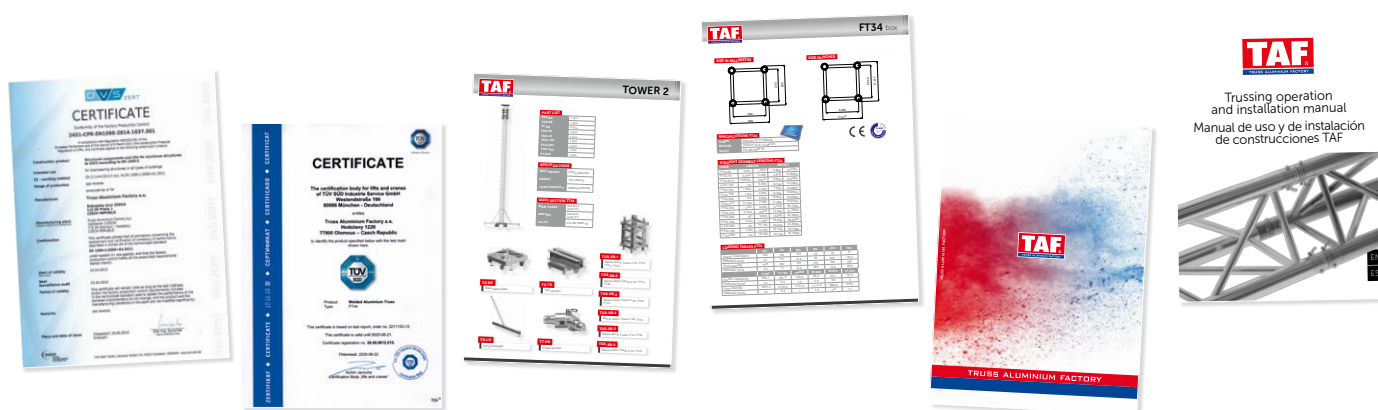
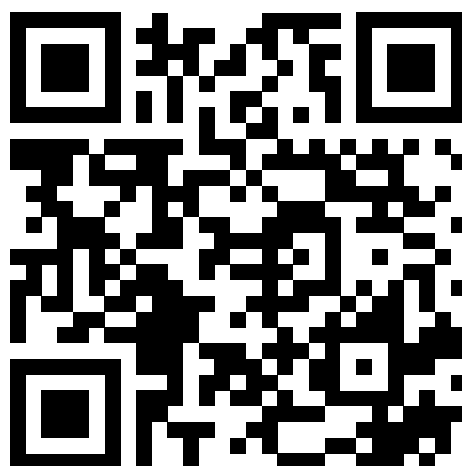
24.1 kg
(53.13lb)

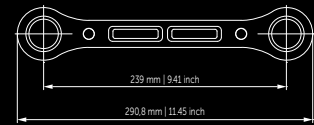
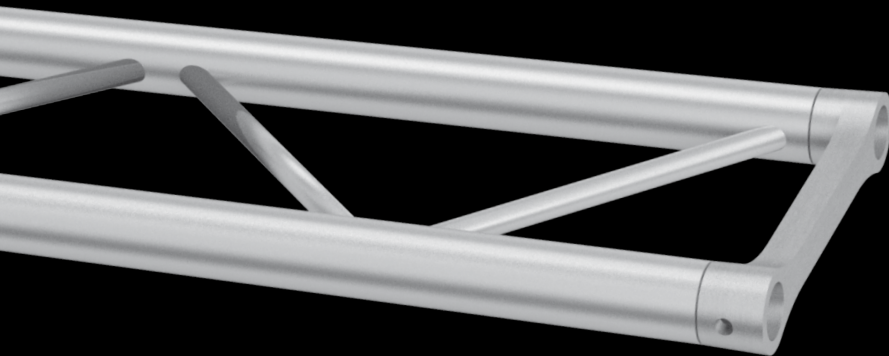


TAF DOCUMENTS DOWNLOAD CENTER

Online access to all TAF materials whenever you need them

- > Technical Specifications
 - > Certificates
 - > Manuals
 - > Catalogues
- etc





SPECIFICATIONS

**TECH
SPECS**

TUBES	50x2mm (2 x 0.08inch)
BRACES	20x2mm (0.8 x 0.08inch)
ALLOY	EN-AW 6082 T6

STRAIGHT SEGMENT LENGTHS

CODE	LENGTH		WEIGHT	
LT32-21	0.21m	0.69ft	1.3kg	2.84lb
LT32-50	0.5m	1.64ft	1.9kg	4.10lb
LT32-100	1m	3.28ft	2.9kg	6.35lb
LT32-150	1.5m	4.92ft	3.9kg	8.56lb
LT32-200	2m	6.56ft	4.9kg	10.78lb
LT32-250	2.5m	8.20ft	5.9kg	12.94lb
LT32-300	3m	9.84ft	6.6kg	14.49lb
LT32-400	4m	13.12ft	8.9kg	19.60lb
LT32-500	5m	16.40ft	10.9kg	24.02lb

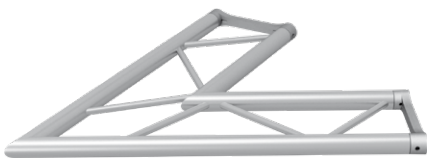
LOADING TABLES

	1m	2m	3m	4m	5m	6m
Distrib. Load [kg/m]	467	257	177	137	127	103
Deflection [mm]	0.8	1.7	4.3	11.2	24.3	31.1
Point load [kg]	467	467	467	433	347	300
Deflection [mm]	0.8	2.3	5.7	11.1	20.3	22.4
	3.28ft	6.56ft	9.84ft	13.12ft	16.40ft	19.69ft
Distrib. Load [lb/ft]	314	173	119	92	85	69
Deflection [inch]	0.03	0.07	0.17	0.45	0.96	1.23
Point load [lb]	1029.6	1029.6	1029.6	954.6	765	661
Deflection [inch]	0.03	0.09	0.22	0.44	0.8	0.88

Loading tables are valid for static loads and spans with two supporting points.
Spans must be supported at each end.
Contact structural engineer if there are more supporting points applied or dynamic and wind loads involved.

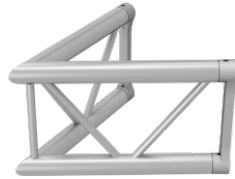
The listed loads are verified for simply supported beam.
The truss needs to be secured against horizontal movement every 1m for the loading tables to be valid.

CORNERS



LT32-C20H

3.8kg (8.4lb)
 2-way 60° corner horizontal
 1m (3.28ft)



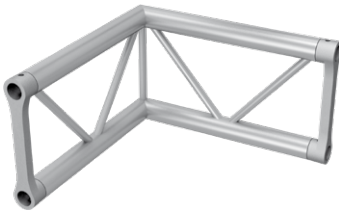
LT32-C20V

3kg (6.6lb)
 2-way 60° corner vertical
 0,5m (1.64ft)



LT32-C21H

2.5kg (5.5lb)
 2-way 90° corner horizontal
 0,5m (1.64ft)



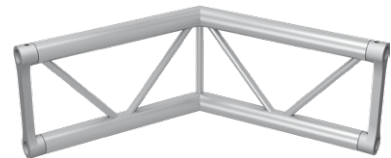
LT32-C21V

2.8kg (6.2lb)
 2-way 90° corner vertical
 0,5m (1.64ft)



LT32-C22-H

2.6kg (5.7lb)
 2-way 120° corner horizontal
 0.5m (1.64ft)



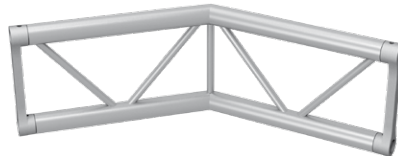
LT32-C22-V

2.9kg (6.4lb)
 2-way 120° corner vertical
 0.5m (1.64ft)



LT32-C23-H

2.7kg (6lb)
 2-way 135° corner horizontal
 0.5m (1.64ft)



LT32-C23-V

2.9kg (6.4lb)
 2-way 135° corner vertical
 0.5m (1.64ft)



LT32-C31-HL

3.8kg (8.4lb)
 3-way 90° corner horizontal left
 0.5m (1.64ft)



LT32-C31-HR



3.8kg (8.4lb)



3-way 90° corner horizontal right



0.5m (1.64ft)



LT32-C31-VL



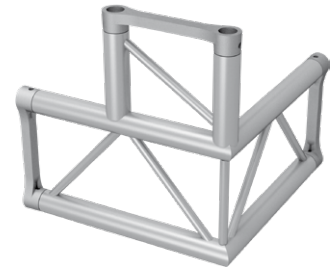
3.8kg (8.4lb)



3-way 90° corner vertical left



0.5m (1.64ft)



LT32-C31-VR



3.7kg (8.2lb)



3-way 90° corner vertical right



0.5m (1.64ft)



LT32-C35-H



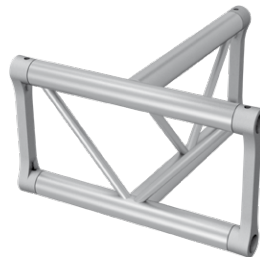
2.9kg (6.4lb)



3-way horizontal T-junction



0.5m (1.64ft)



LT32-C35-V



4.2kg (9.3lb)



3-way vertical T-junction



0.5m (1.64ft)



LT32-C41-H



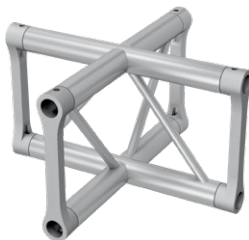
3.4kg (7.5lb)



4-way horizontal cross junction



0.5m (1.64ft)



LT32-C41-V



3.9kg (9lb)



4-way vertical cross junction



0.5m (1.64ft)



LT32-C42-H



4.4kg (9.2lb)



4-way horizontal T-junction



0.5m (1.64ft)



FT32-C42-V



4.4kg (9.2lb)



4-way vertical T-junction



0.5m (1.64ft)

TAFtool

by TRUSS ALUMINIUM FACTORY a.s.

BUILD YOUR STRUCTURE

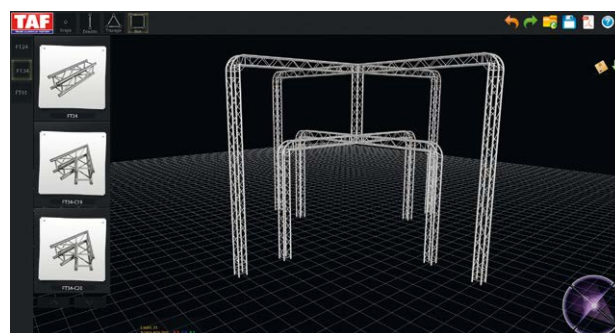
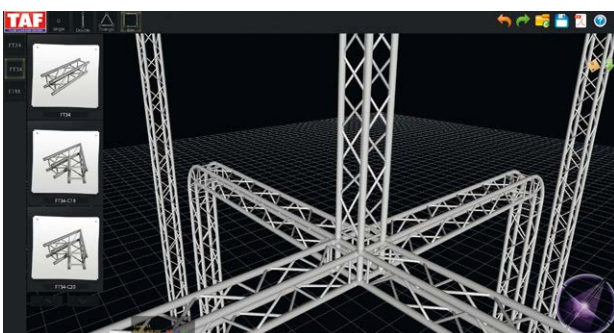
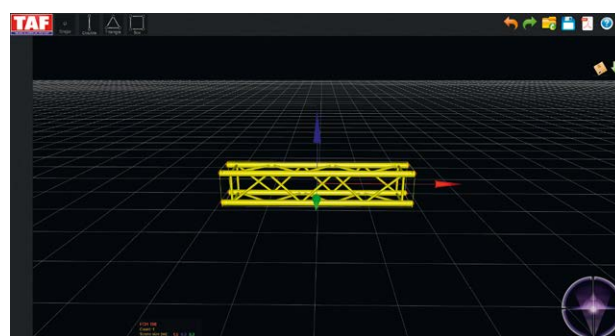
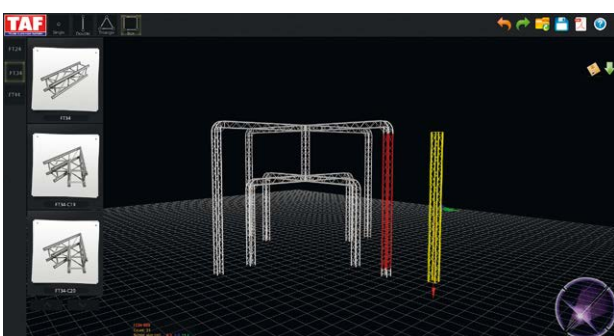
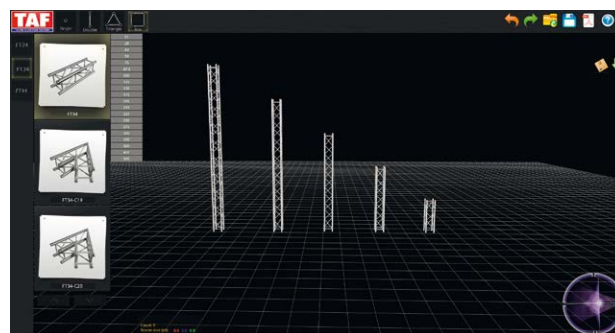
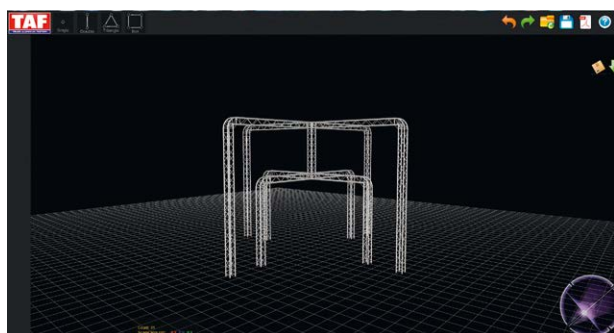
TAFtool unique software was created in order to help our clients to easily build up their own stands or designs from aluminum trusses.

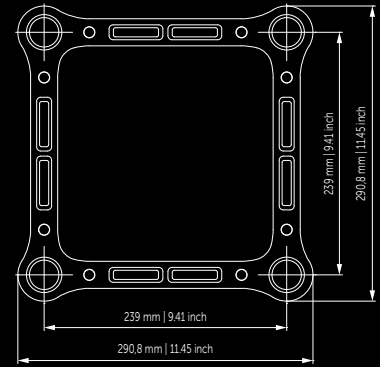
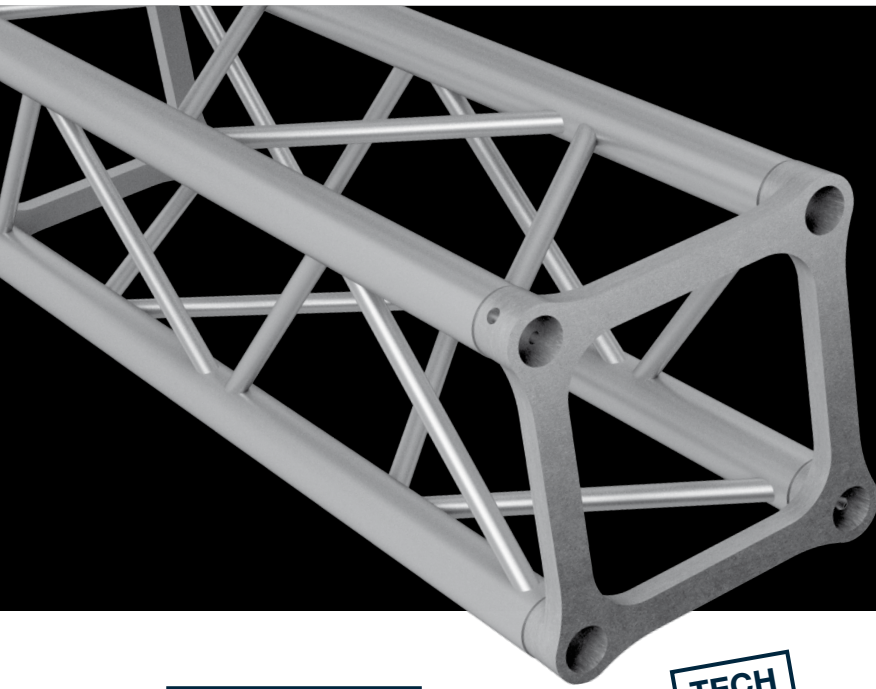
TAFtool software gives you realistic 3D working space. The trussing systems library includes the standard parts available in the chosen system copying truly the real dimensions of every trussing segment. It is possible to zoom in/out to view details or to get overall view of the design. You can rotate the camera to basically any point of view so you know how the structure is going to look like from various angles.

You can save the unfinished projects and work on them later. Once you are done with the design, there is a possibility to export your project to PDF file which shows the list of parts that were used, the design itself, and its real dimensions.

The TAFtool software can be downloaded on www.taftool.com and you can start getting your first experiences working with it right away. There are also videos of TAFtool applications on our youtube channel TRUSSALUMINIUM.

There is no tool like a TAFtool. Let's get started.





SPECIFICATIONS

TUBES	50x2mm (2 x 0.08inch)
BRACES	20x2mm (0.8 x 0.08inch)
ALLOY	EN-AW 6082 T6

**TECH
SPECS**

STRAIGHT SEGMENT LENGTHS

CODE	LENGTH		WEIGHT	
LT34-21	0.21m	0.69ft	3.6kg	7.98lb
LT34-50	0.5m	1.64ft	5.0kg	10.91lb
LT34-100	1m	3.28ft	7.4kg	16.27lb
LT34-150	1.5m	4.92ft	9.8kg	21.52lb
LT34-200	2m	6.56ft	12.1kg	26.75lb
LT34-250	2.5m	8.20ft	14.5kg	31.91lb
LT34-300	3m	9.84ft	17.9kg	39.49lb
LT34-400	4m	13.12ft	21.6kg	47.63lb
LT34-500	5m	16.40ft	26.3kg	58.08lb

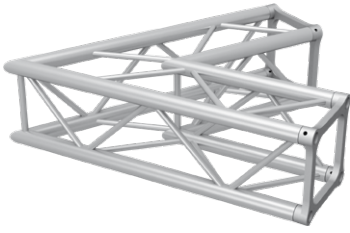
LOADING TABLES

	2m	4m	6m	8m	10m	12m	14m	16m
Distrib. Load [kg/m]	513	275	206	125	75	53	39	27
Deflection [mm]	1.7	9.3	33.1	63.6	99.8	132.6	180.0	221.1
Point load [kg]	933	867	600	427	360	293	253	227
Deflection [mm]	2.3	11.1	22.5	42.3	75.6	97.3	134.5	182.3
	6.56ft	13.12ft	19.68ft	26.24ft	32.81ft	39.37ft	45.9ft	52.49ft
Distrib. Load [lb/ft]	345	185	138	84	50	36	26	18
Deflection [inch]	0.06	0.37	1.3	2.5	3.93	5.22	7.09	8.7
Point load [lb]	2057	1911	1323	941	794	646	558	500
Deflection [inch]	0.09	0.44	0.89	1.67	2.98	3.83	5.3	7.18

Loading tables are valid for static loads and spans with two supporting points.
Spans must be supported at each end.
Contact structural engineer if there are more supporting points applied or dynamic and wind loads involved.

The values show in the tables are the characteristic loads by EN 1990 (variable load, $\gamma_f=1,5$)

CORNERS



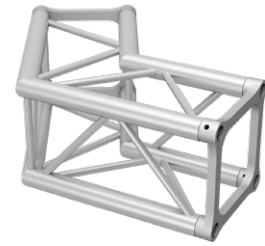
LT34-C20

8.5kg (18.7lb)
 2-way 60° corner
 1m (3.28ft)



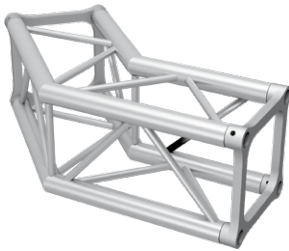
LT34-C21

6kg (13.2lb)
 2-way 90° corner
 0.5m (1.64ft)



LT34-C22

6.3kg (13.9lb)
 2-way 120° corner
 0.5m (1.64ft)



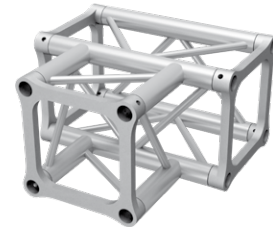
LT34-C23

6.9kg (15.2lb)
 2-way 135° corner
 0.5m (1.64ft)



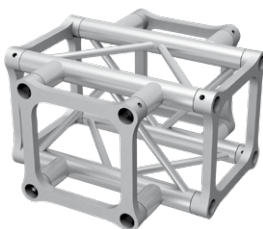
LT34-C30

8.2kg (18lb)
 3-way 90° corner
 0.5m (1.64ft)



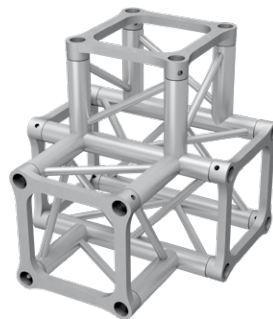
LT34-T35

7.3kg (16lb)
 3-way T-junction
 0.5m (1.64ft)



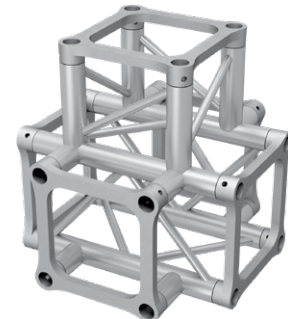
LT34-C41

8.2kg (18lb)
 4-way cross junction
 0.5m (1.64ft)



LT34-T42

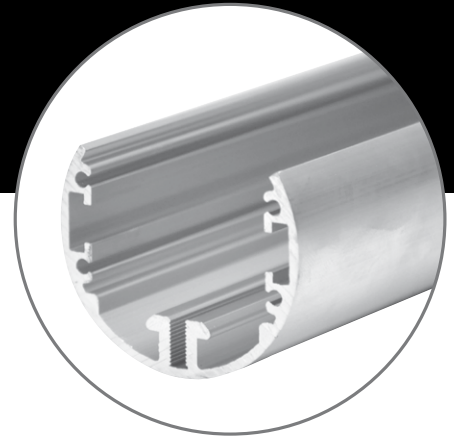
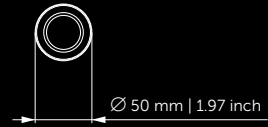
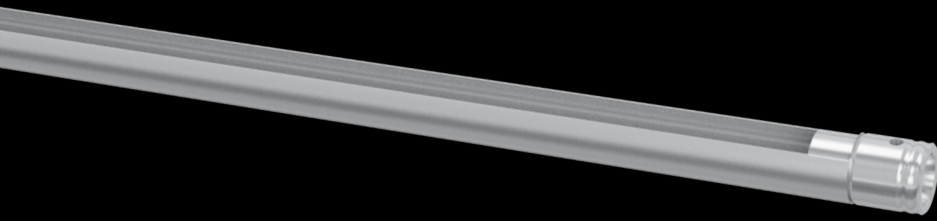
9.7kg (21.4lb)
 4-way T junction
 0.5m (1.64ft)



LT34-T55

9.9kg (21.8lb)
 5-way T-junction
 0.5m (1.64ft)

QUICKLOCK LINE lighting track **ET31** single



SPECIFICATIONS

TUBES	Ø 50mm (Ø 2inch)
ALLOY	EN-AW 6082 T6



STRAIGHT SEGMENT LENGTHS

CODE	LENGTH		WEIGHT	
ET31-50	0.5m	1.64ft	0.7kg	1.59lb
ET31-100	1m	3.28ft	1.2kg	2.55lb
ET31-150	1.5m	4.92ft	1.6kg	3.56lb
ET31-200	2m	6.56ft	2.0kg	4.47lb
ET31-250	2.5m	8.20ft	2.5kg	5.54lb
ET31-300	3m	9.84ft	2.9kg	6.39lb
ET31-400	4m	13.12ft	3.8kg	8.32lb
ET31-500	5m	16.40ft	4.4kg	9.79lb



CORNERS



ET31-C19

1.2kg (2.55lb)
 2-way 45° corner
 0.5m (1.64ft)



ET31-C20

1.2kg (2.55lb)
 2-way 60° corner
 0.5m (1.64ft)



ET31-C21

1.2kg (2.55lb)
 2-way 90° corner
 0.5m (1.64ft)



ET31-C22

1.2kg (2.55lb)
 2-way 120° corner
 0.5m (1.64ft)



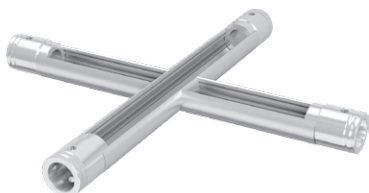
ET31-C23

1.2kg (2.55lb)
 2-way 135° corner
 0.5m (1.64ft)



ET31-T35

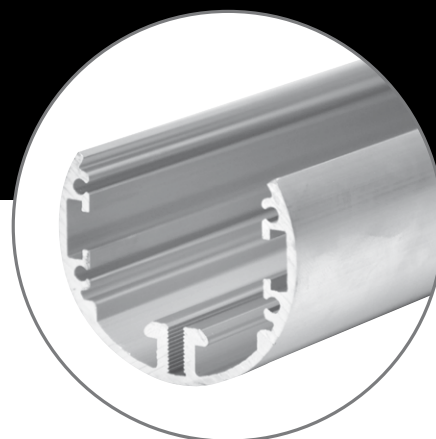
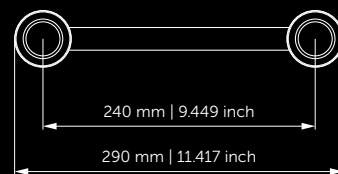
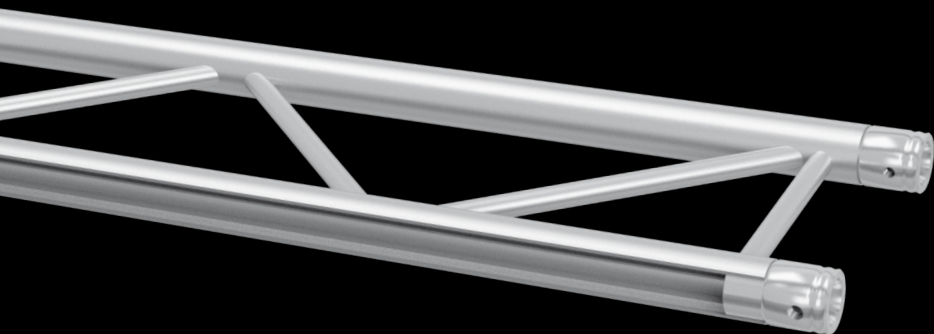
1.2kg (2.55lb)
 3-way T-junction
 0.5m (1.64ft)



ET31-C41

1.4kg (3.13lb)
 4-way cross junction
 0.5m (1.64ft)

QUICKLOCK LINE lighting track **ET32** double



SPECIFICATIONS

TUBES	Ø 50mm (Ø 2inch)
BRACES	20x2mm (0.8 x 0.08inch)
ALLOY	EN-AW 6082 T6

**TECH
SPECS**

STRAIGHT SEGMENT LENGTHS

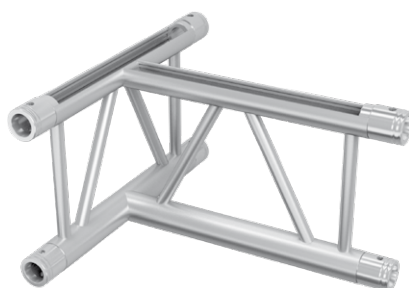
CODE	LENGTH		WEIGHT	
ET32-50	0.5m	1.64ft	1.7kg	3.71lb
ET32-100	1m	3.28ft	2.7kg	5.91lb
ET32-150	1.5m	4.92ft	3.7kg	8.23lb
ET32-200	2m	6.56ft	4.7kg	10.45lb
ET32-250	2.5m	8.20ft	5.8kg	12.83lb
ET32-300	3m	9.84ft	6.8kg	14.98lb
ET32-400	4m	13.12ft	8.7kg	19.18lb
ET32-500	5m	16.40ft	10.7kg	23.63lb

CORNERS



ET32-C21-V

- 2.6kg (5.79lb)
- 2-way 90° corner vertical
- 0.5m (1.64ft)



ET32-T35-V

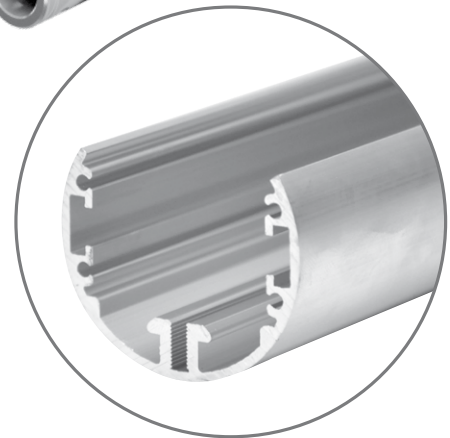
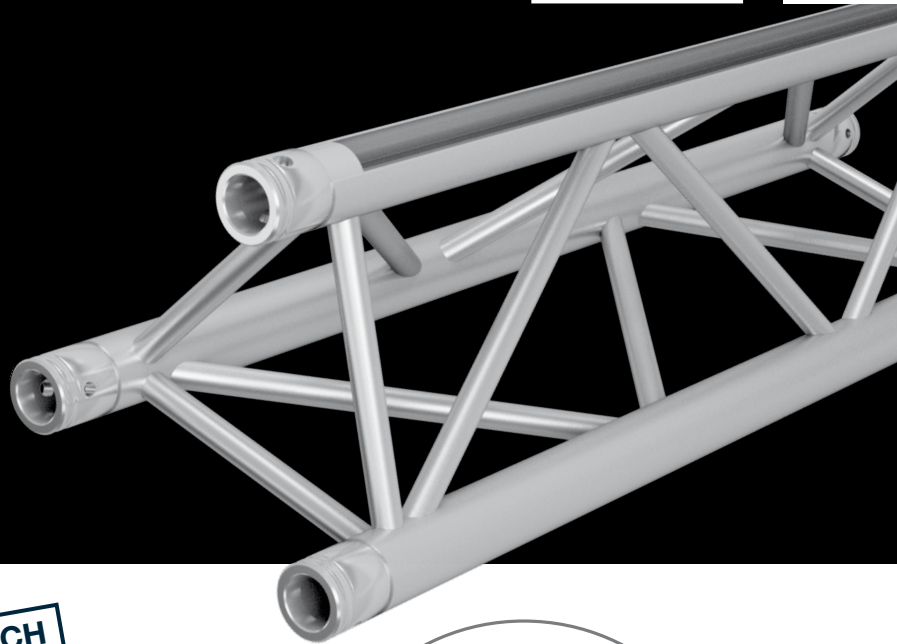
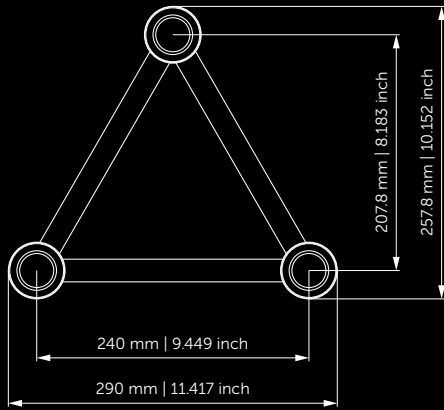
- 2.9kg (6.47lb)
- 3-way vertical T-junction
- 0.5m (1.64ft)



ET32-C41-V

- 3.3kg (7.31lb)
- 4-way vertical cross junction
- 0.5m (1.64ft)

lighting track **ET33** triangle



SPECIFICATIONS

TUBES	Ø 50mm (Ø 2inch)
BRACES	20x2mm (0.8 x 0.08inch)
ALLOY	EN-AW 6082 T6



STRAIGHT SEGMENT LENGTHS

CODE	LENGTH		WEIGHT	
ET33-50	0.5m	1.64ft	2.9kg	6.39lb
ET33-100	1m	3.28ft	4.6kg	10.17lb
ET33-150	1.5m	4.92ft	6.4kg	14.20lb
ET33-200	2m	6.56ft	8.2kg	18.14lb
ET33-250	2.5m	8.20ft	10.1kg	22.24lb
ET33-300	3m	9.84ft	11.8kg	26.10lb
ET33-400	4m	13.12ft	15.3kg	33.73lb
ET33-500	5m	16.40ft	18.9kg	41.61lb

CORNERS



ET33-C21

- 3.7kg (8.26lb)
- 2-way 90° corner
- 0.5m (1.64ft)



ET33-T36

- 4.4kg (9.62lb)
- 3-way vertical T-junction
- 0.5m (1.64ft)



ET33-C41

- 4.9kg (10.84lb)
- 4-way vertical cross junction
- 0.5m (1.64ft)

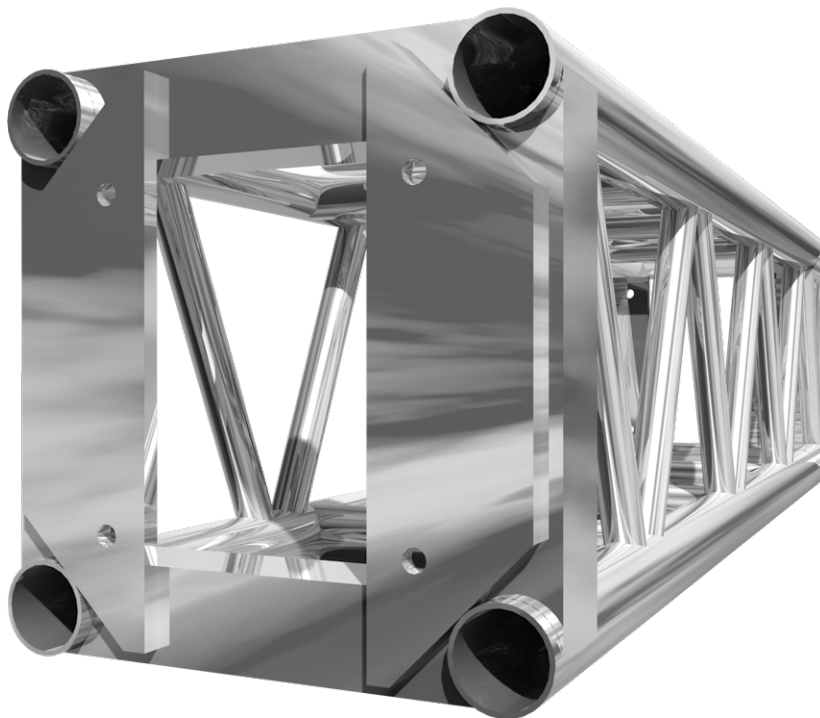


BOLTED TRUSS

TAF bolted truss includes three types of bolted trussing lines – light duty, medium duty and heavy duty. The connection is made by bolting two aluminium plates together in all four corners of the trussing segments.

Bolted truss represents a traditional type of connection. The trussing segments are connected by bolting the aluminium plates together.

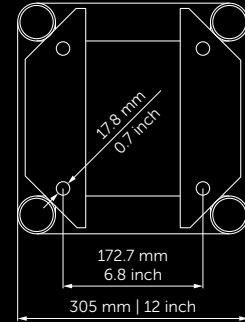
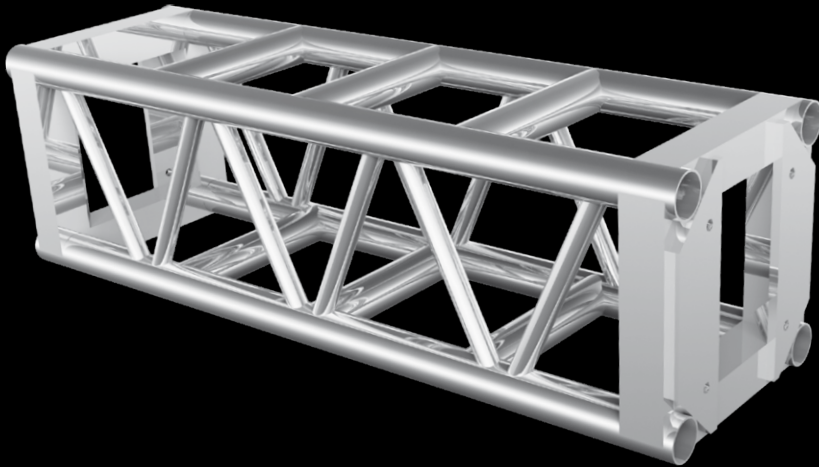
Custom lengths and shapes in metric and imperial sizes are available on request.



Bolted Truss Connection

BOLTED TRUSS

FTB-L



SPECIFICATIONS

TUBES	50x3mm (2 x 0.12inch)
BRACES	25x3mm (1 x 0.12inch)
ALLOY	EN-AW 6082 T6



STRAIGHT SEGMENT LENGTHS

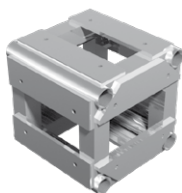
CODE	LENGTH		WEIGHT	
FTB-L-5	1.524m	5.00ft	15.4kg	34.01lb
FTB-L-8	2.438m	8.00ft	22.6kg	49.84lb
FTB-L-10	3.048m	10.00ft	26.9kg	59.32lb

LOADING TABLES

	1.52m	3.05m	4.57m	6.1m	7.6m	9.14m	12.2m
Distrib. Load [kg/m]	1512	605	342	187	116	77	38
Deflection [mm]	0.6	3.6	10.6	18.9	29.6	42.8	77
Point load [kg]	1149	922	782	571	442	353	234
Deflection [mm]	0.5	3.3	9.7	17.3	27.2	39.3	71.1
	5ft	10ft	15ft	20ft	25ft	30ft	40ft
Distrib. Load [lb/ft]	1016	407	230	126	78	52	26
Deflection [inch]	0.02	0.1	0.4	0.7	1.2	1.7	3
Point load [lb]	2534	2033	1724	1259	975	778	516
Deflection [inch]	0.02	0.1	0.4	0.7	1.1	1.5	2.8

Loading tables are valid for static loads and spans with two supporting points. Spans must be supported at each end.

Contact structural engineer if there are more supporting points applied or dynamic and wind loads involved.



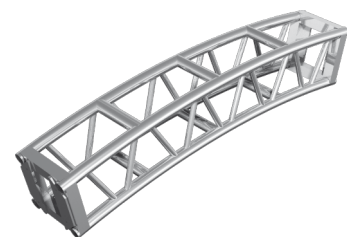
FTB-L-CB-6

- 11.6kg (25.49lb)
- Connection Box multiple ways



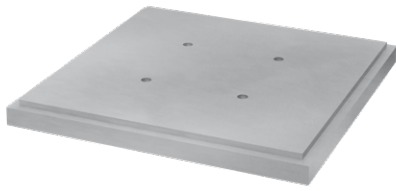
FTB-L-CH

- Circle horizontal various diameters



FTB-L-CV

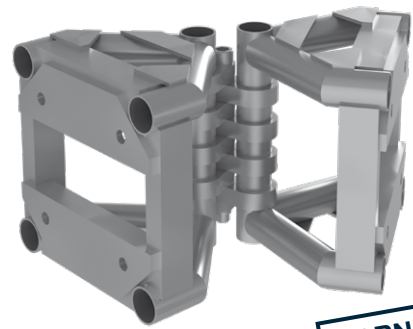
- Circle vertical various diameters



FTB-L-BP4
Base plate

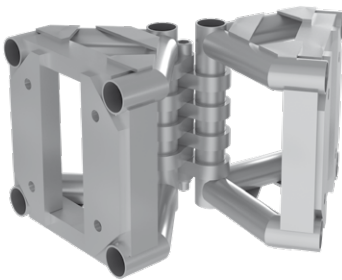


FTB-L-G
FTB-L Grapple for bolted truss attachment

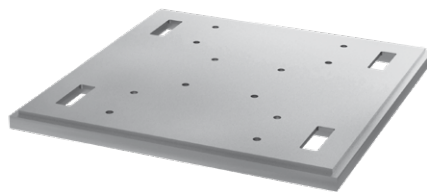


FTB-L-VC-H
Book corner

CORNERS



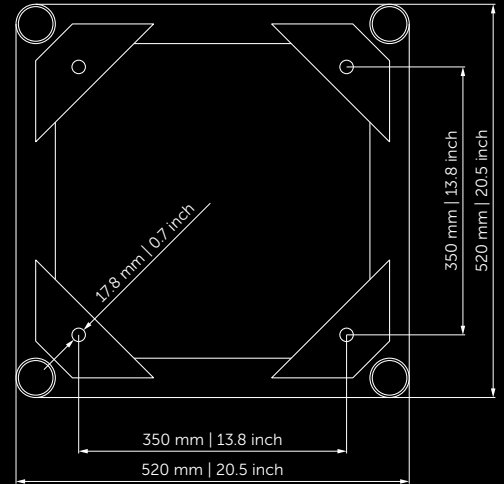
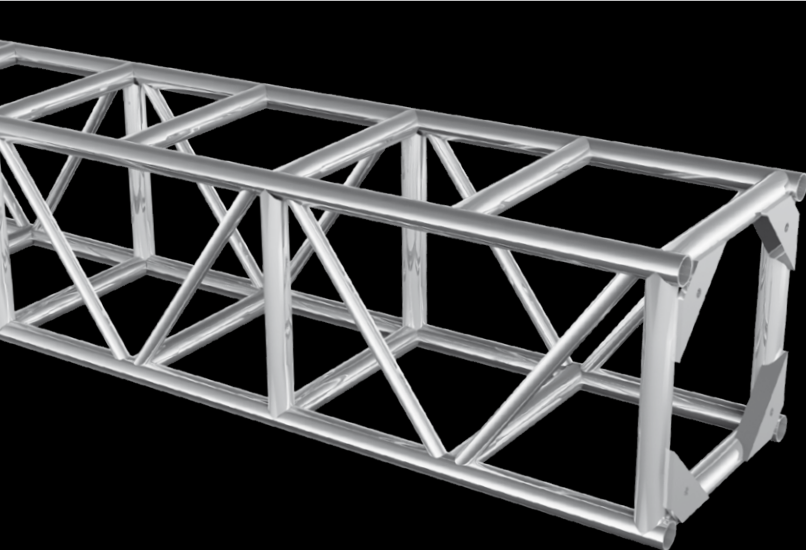
FTB-L-VC-V
Book corner



FTB-LMH
Base plate

BOLTED TRUSS

FTB-M



SPECIFICATIONS

TUBES	50x3mm (2 x 0.12inch)
BRACES	25x3mm (1 x 0.12inch)
ALLOY	EN-AW 6082 T6



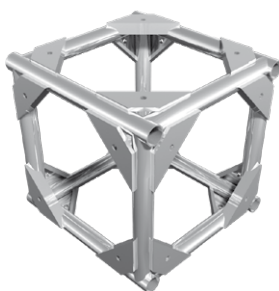
STRAIGHT SEGMENT LENGTHS

CODE	LENGTH		WEIGHT	
FTB-M-5	1.524m	5.00ft	30.8kg	67.76lb
FTB-M-8	2.438m	8.00ft	42kg	92.4lb
FTB-M-10	3.048m	10.00ft	51.4kg	113.08lb

LOADING TABLES

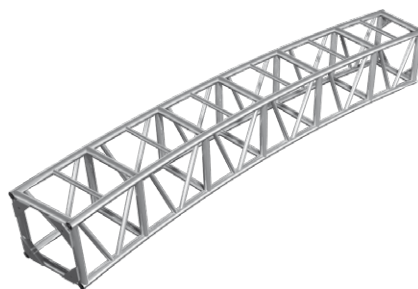
	1.52m	3.05m	4.57m	6.1m	7.6m	9.14m	12.2m
Distrib. Load [kg/m]	2324	1150	694	382	239	162	84
Deflection [mm]	0.2	2	6.2	11.1	17.3	24.9	44.8
Point load [kg]	2879	2251	1585	1166	912	739	512
Deflection [mm]	0.4	2.4	5.7	10.1	15.9	22.9	41.2
	5ft	10ft	15ft	20ft	25ft	30ft	40ft
Distrib. Load [lb/ft]	1562	773	466	257	161	109	57
Deflection [inch]	0.01	0.1	0.2	0.4	0.7	1	1.8
Point load [lb]	6348	4964	3495	2571	2011	1630	1129
Deflection [inch]	0.02	0.1	0.2	0.4	0.6	0.9	1.6

Loading tables are valid for static loads and spans with two supporting points. Spans must be supported at each end. Contact structural engineer if there are more supporting points applied or dynamic and wind loads involved.



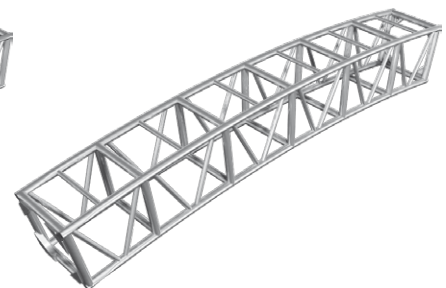
FTB-M-CB-6

- 18.16kg (40lb)
- Connection Box multiple ways



FTB-M-CH

- Circle horizontal various diameters



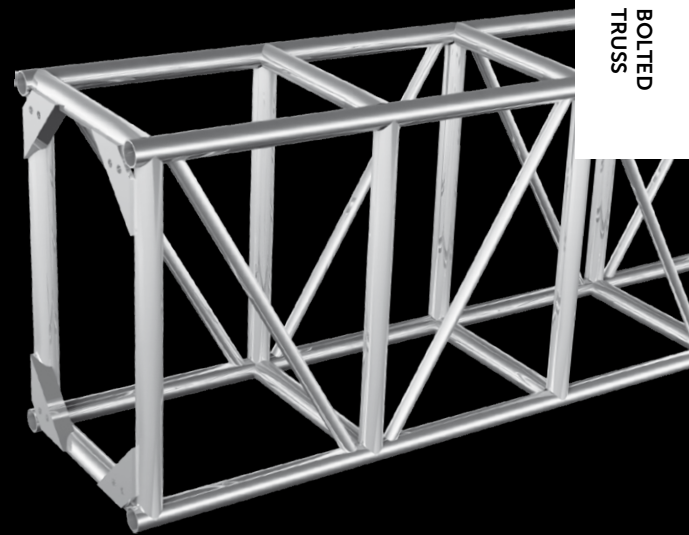
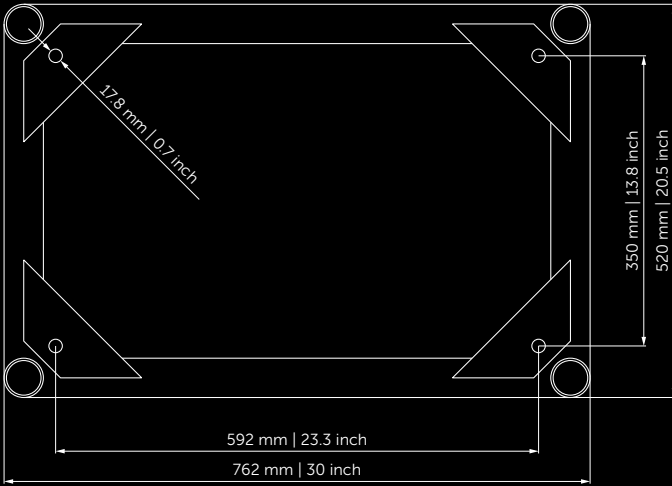
FTB-M-CV

- Circle vertical various diameters

FTB-H



BOLTED TRUSS



SPECIFICATIONS

TUBES	50x3mm (2 x 0.12inch)
BRACES	25x3mm (1 x 0.12inch)
ALLOY	EN-AW 6082 T6



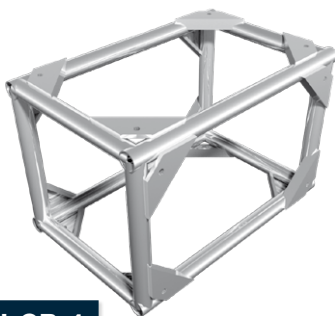
STRAIGHT SEGMENT LENGTHS

CODE	LENGTH		WEIGHT	
FTB-H-5	1.524m	5.00ft	30.5kg	67.1lb
FTB-H-8	2.438m	8.00ft	40.2kg	88.44lb
FTB-H-10	3.048m	10.00ft	48.7kg	107.4lb

LOADING TABLES

	1.52m	3.05m	4.57m	6.1m	7.6m	9.14m	12.2m
Distrib. Load [kg/m]	1982	980	649	482	382	272	145
Deflection [mm]	0.1	0.8	2.5	6	11.8	17.6	31.5
Point load [kg]	3013	2989	2594	1922	1516	1241	887
Deflection [mm]	0.2	1.4	4	7.2	11.2	16.2	29
	5ft	10ft	15ft	20ft	25ft	30ft	40ft
Distrib. Load [lb/ft]	1332	659	436	324	257	183	97
Deflection [inch]	0.01	0.03	0.1	0.2	0.5	0.7	1.2
Point load [lb]	6644	6591	5720	4238	3343	2736	1956
Deflection [inch]	0.01	0.1	0.2	0.3	0.4	0.6	1.1

Loading tables are valid for static loads and spans with two supporting points. Spans must be supported at each end. Contact structural engineer if there are more supporting points applied or dynamic and wind loads involved.



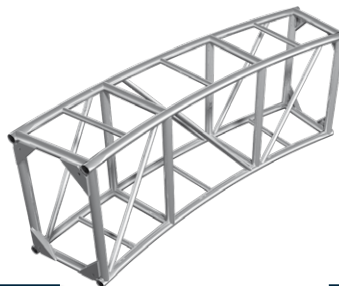
FTB-H-CB-4



15.8kg (35lb)



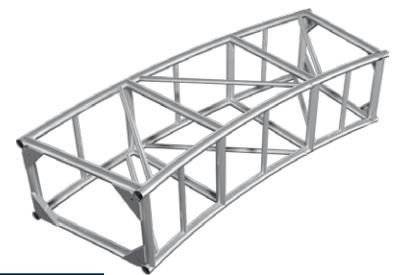
Connection Box multiple ways



FTB-H-CH



Circle horizontal various diameters



FTB-H-CV



Circle vertical various diameters



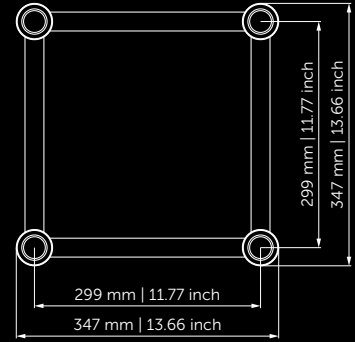
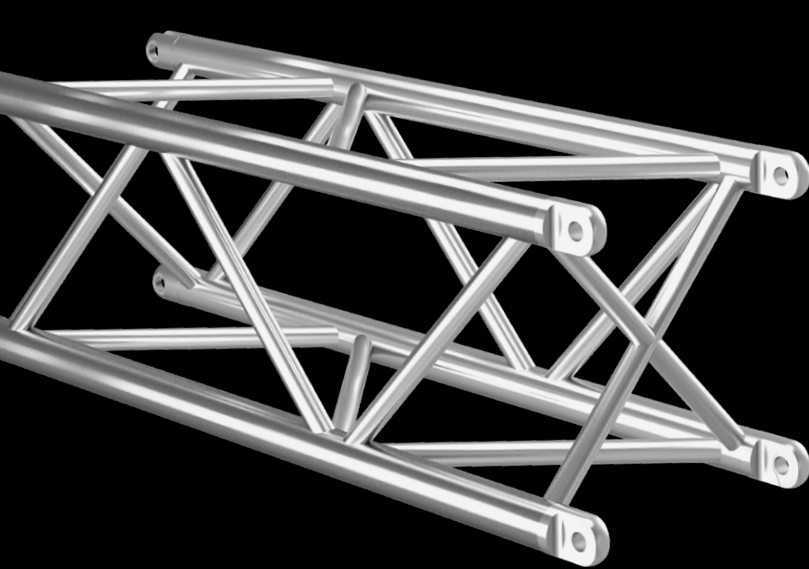
FORK TRUSS

Fork truss system connection of the trussing segments is made by fork connectors. There is always a female set of fork connectors on one side of the truss and a male set on the other in order to put the segments together easily. The connection is secured by special fork truss pin and safety clip.

Custom lengths and shapes in metric and imperial sizes are available on request.



Fork Truss Connection



SPECIFICATIONS

TUBES	48x4.5mm (1.89 x 0.18inch)
BRACES	25x3mm (1 x 0.12inch)
ALLOY	EN-AW 6082 T6

**TECH
SPECS**

STRAIGHT SEGMENT LENGTHS

CODE	LENGTH		WEIGHT	
GS350-2FT	0.609m	2.00ft	8.4kg	18.42lb
GS350-4FT	1.219m	4.00ft	15.2kg	33.44lb
GS350-6FT	1.828m	6.00ft	21.0kg	46.21lb
GS350-8FT	2.438m	8.00ft	26.3kg	58.02lb
GS350-10FT	3.048m	10.00ft	32.4kg	71.55lb
GS350-12FT	3.657m	12.00ft	38.1kg	84.03lb
GS350-14FT	4.267m	14.00ft	43.3kg	95.55lb

LOADING TABLES

	4m	6m	8m	10m	12m	14m	16m
Distrib. Load [kg/m]	995	436	240	150	100	71	52
Deflection [mm]	9.2	20.7	36.8	57.7	83.3	113.9	149.4
Point load [kg]	1991	1308	961	748	603	495	412
Deflection [mm]	8.4	18.9	33.7	52.9	76.5	104.8	137.8
	13.12ft	19.68ft	26.24ft	32.81ft	39.37ft	45.93ft	52.49ft
Distrib. Load [lb/ft]	669	293	161	101	67	48	35
Deflection [inch]	0.4	0.8	1.4	2.3	3.3	4.5	5.9
Point load [lb]	4390	2884	2119	1649	1330	1092	909
Deflection [inch]	0.3	0.7	1.3	2.1	3	4.1	5.4

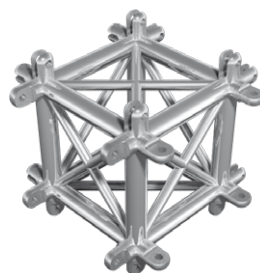
Loading tables are valid for static loads and spans with two supporting points. Spans must be supported at each end.

Contact structural engineer if there are more supporting points applied or dynamic and wind loads involved.

GS350-MCB

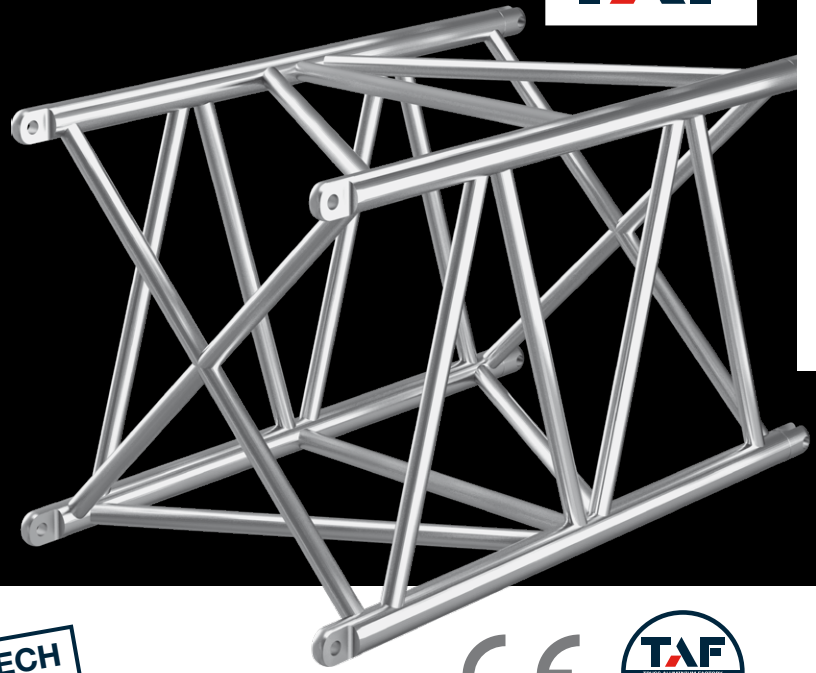
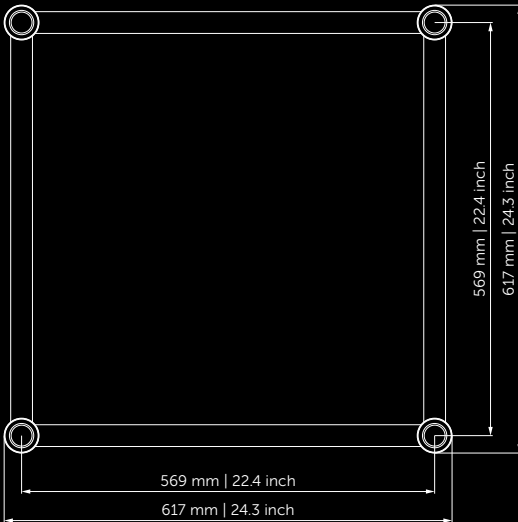


Multiconnection Box



All other corner variants are available on request.

GS620



FORK
TRUSS

SPECIFICATIONS

TUBES	48x4.5mm (1.89 x 0.18inch)
BRACES	30x3mm (1.2 x 0.12inch)
ALLOY	EN-AW 6082 T6



STRAIGHT SEGMENT LENGTHS

CODE	LENGTH		WEIGHT	
GS620-2FT	0.609m	2.00ft	9.8kg	21.60lb
GS620-4FT	1.219m	4.00ft	19.1kg	42.11lb
GS620-6FT	1.828m	6.00ft	26.3kg	57.99lb
GS620-8FT	2.438m	8.00ft	33.6kg	74.08lb
GS620-10FT	3.048m	10.00ft	40.7kg	89.82lb

LOADING TABLES

	4m	6m	8m	10m	12m	14m	16m
Distrib. Load [kg/m]	1657	837	464	292	198	142	105
Deflection [mm]	4.2	10.8	19.3	30.2	43.6	59.6	78
Point load [kg]	3802	2510	1856	1458	1188	991	839
Deflection [mm]	4.4	9.9	17.7	27.7	40	54.7	71.8
	13.12ft	19.68ft	26.24ft	32.81ft	39.37ft	45.93ft	52.49ft
Distrib. Load [lb/ft]	1114	563	312	196	133	95	71
Deflection [inch]	0.2	0.4	0.8	1.2	1.7	2.3	3.1
Point load [lb]	8383	5535	4093	3215	2620	2185	1850
Deflection [inch]	0.2	0.4	0.7	1.1	1.6	2.2	2.8

Loading tables are valid for static loads and spans with two supporting points.

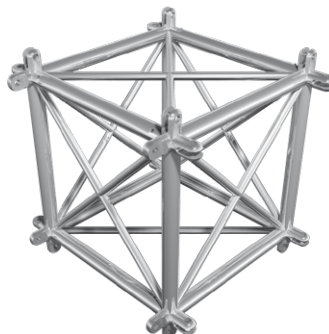
Spans must be supported at each end.

Contact structural engineer if there are more supporting points applied or dynamic and wind loads involved.

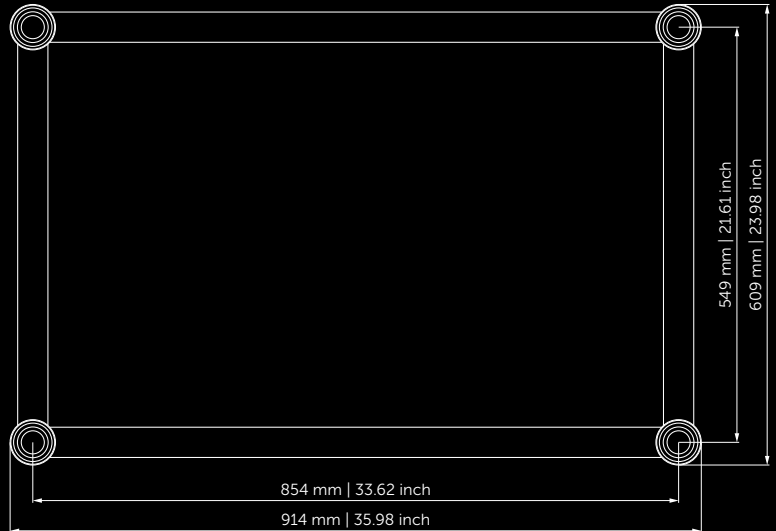
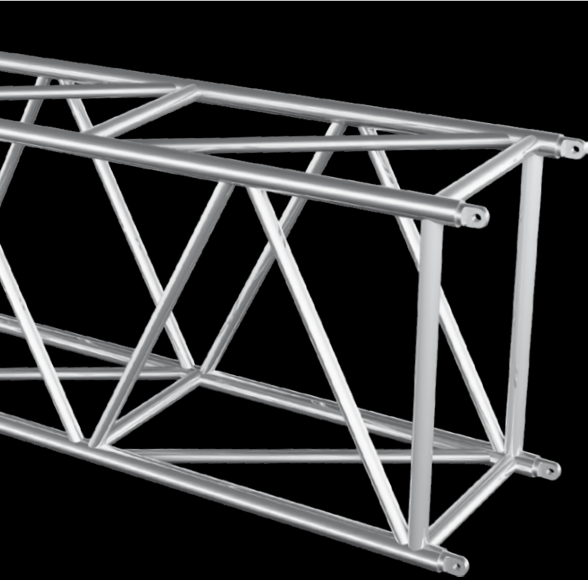
GS620-MCB



Multiconnection Box



All other corner variants are available on request.



SPECIFICATIONS

TUBES	60x5mm (2.4 x 0.2inch)
BRACES	40x3mm (1.6 x 0.12inch)
ALLOY	EN-AW 6082 T6



STRAIGHT SEGMENT LENGTHS

CODE	LENGTH		WEIGHT	
GS910-100	1m	3.28ft	25.6kg	56.48lb
GS910-200	2m	6.56ft	43.1kg	95.07lb
GS910-240	2.4m	7.87ft	51.0kg	112.42lb
GS910-300	3m	9.84ft	59.6kg	131.32lb

LOADING TABLES

	6m	8m	10m	12m	14m	16m	18m	20m
Distrib. Load [kg/m]	1241	927	738	544	395	299	232	185
Deflection [mm]	5.1	12	23.5	36.2	49.3	64.5	81.7	101.1
Point load [kg]	6679	4980	3953	3263	2766	2388	2091	1850
Deflection [mm]	8.2	14.7	23	33.1	45.1	59.1	74.9	92.8
	19.68ft	26.24ft	32.81ft	39.37ft	45.93ft	52.49ft	59.1ft	65.6ft
Distrib. Load [lb/ft]	834	623	496	366	265	201	156	124
Deflection [inch]	0.2	0.5	0.9	1.4	1.9	2.5	3.2	4
Point load [lb]	14727	10981	8716	7195	6099	5266	4611	4079
Deflection [inch]	0.3	0.6	0.9	1.3	1.8	2.3	2.9	3.7

Loading tables are valid for static loads and spans with two supporting points.

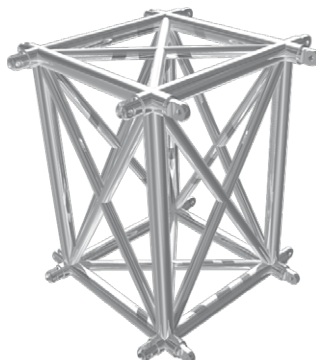
Spans must be supported at each end.

Contact structural engineer if there are more supporting points applied or dynamic and wind loads involved.

GS910-MCB



Multiconnection rectangular cube



All other corner variants are available on request.

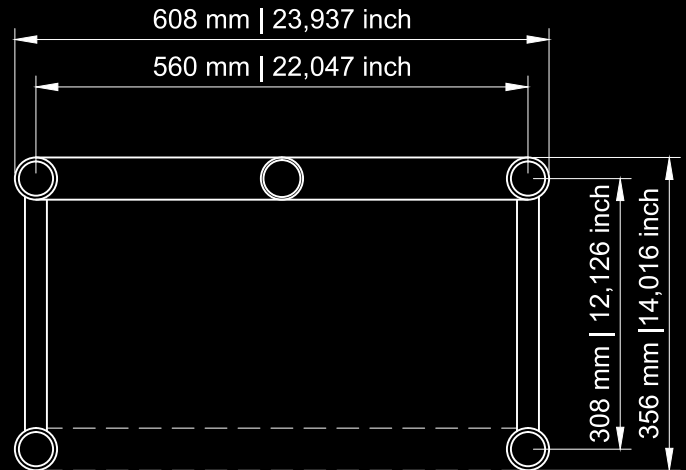
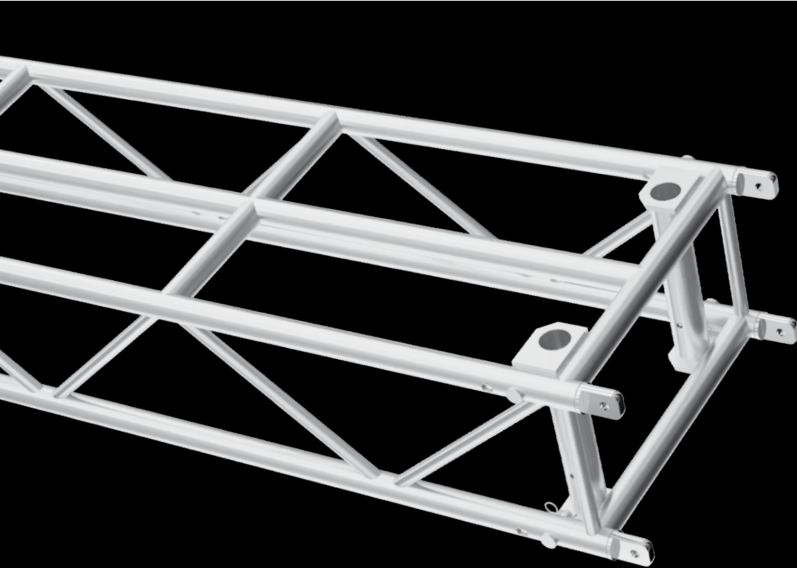


FORK
TRUSS



FORK TRUSS

PR1 Pre-Rig Truss



SPECIFICATIONS

TUBES	48x4.5mm (1.89x0.18 inch)
BRACES	25x3 mm (0.98x0.12 inch)
ALLOY	EN-AW 6082 T6



STRAIGHT SEGMENT LENGTHS

CODE	LENGTH		WEIGHT	
PR1-120	1.20m	3.94ft	36kg	79.37lbs
PR1-240	2.40m	7.87ft	40kg	88.18lbs

Pre-Rig Truss features two-positioned end fork connectors. With male/female connector it allows vertical/horizontal connection. Dollies are stackable.

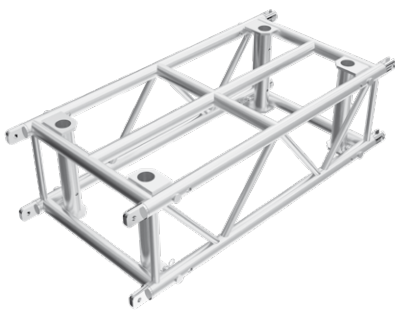
LOADING TABLES LC1 - LOADING OF THE TRUSS

	6m	8m	10m	12m	14m	16m	18m	20m
Distrib. Load [kg/m]	589	325	204	137	97	72	54	41
Deflection [mm]	24.9	44.4	69.5	100.4	137.2	179.9	228.7	283.7
Point load [kg]	1766	1302	1018	824	682	573	484	411
Deflection [mm]	20.1	35.9	56.6	82.3	113.3	150.0	192.6	241.8
	19.68ft	26.24ft	32.81ft	39.37ft	45.93ft	52.49ft	59.1ft	65.6ft
Distrib. Load [lb/ft]	395.79	218.39	137.08	92.06	65.18	48.38	36.29	27.55
Deflection [inch]	0.08	0.15	0.23	0.33	0.45	0.59	0.75	0.93
Point load [lb]	3893.4	2870.4	2244.3	1816.6	1503.6	1263.2	1067.0	906.1
Deflection [inch]	0.8	1.4	2.2	3.2	4.5	5.9	7.6	9.5

LOADING TABLES LC2 - LOADING AT CENTER TUBE

	6m	8m	10m	12m	14m	16m	18m	20m
Distrib. Load [kg/m]	450	325	203	137	97	72	54	41
Deflection [mm]	19.2	44.4	69.5	100.4	137.1	179.8	228.5	283.5
Point load [kg]	420	420	420	420	420	420	420	411
Deflection [mm]	5.2	12.9	26.0	46.6	76.5	118.0	173.5	241.6
	19.68ft	26.24ft	32.81ft	39.37ft	45.93ft	52.49ft	59.1ft	65.6ft
Distrib. Load [lb/ft]	302.39	218.39	136.41	92.06	65.18	48.38	36.29	27.55
Deflection [inch]	0.76	1.75	2.74	3.95	5.40	7.08	9.00	11.16
Point load [lb]	925.94	925.94	925.94	925.94	925.94	925.94	925.94	906.10
Deflection [inch]	0.20	0.51	1.02	1.83	3.01	4.65	6.83	9.51

Loading tables are valid for static loads and spans with two supporting points. Spans must be supported at each end. Contact structural engineer if there are more supporting points applied or dynamic and wind loads involved.



PR1-120

1.2 m in length



PR1-240

2.4m in length



PR1-120B

1.2 m in length,
black coating



PR1-240B

2.4m in length,
black coating



PR1-D-120

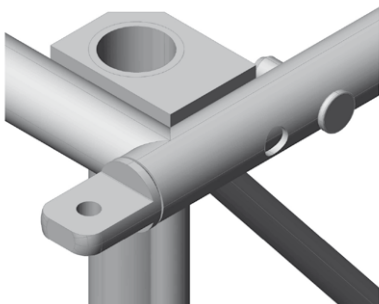
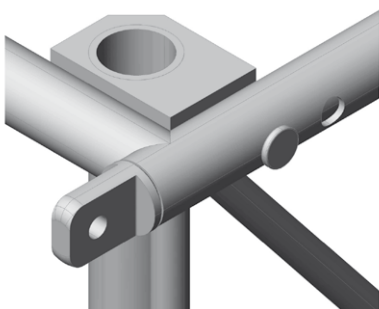
dolly, 1.2 m in length



PR1-D-240

dolly, 2.4 m in length

End fork connectors



PR1-D-120B

dolly, 1.2 m in length,
black coating

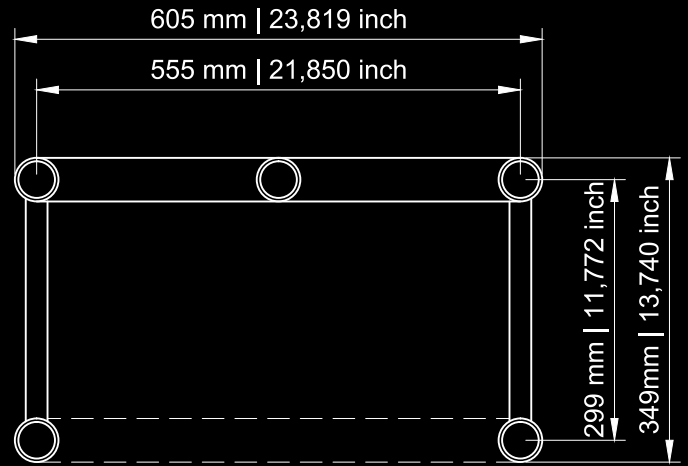
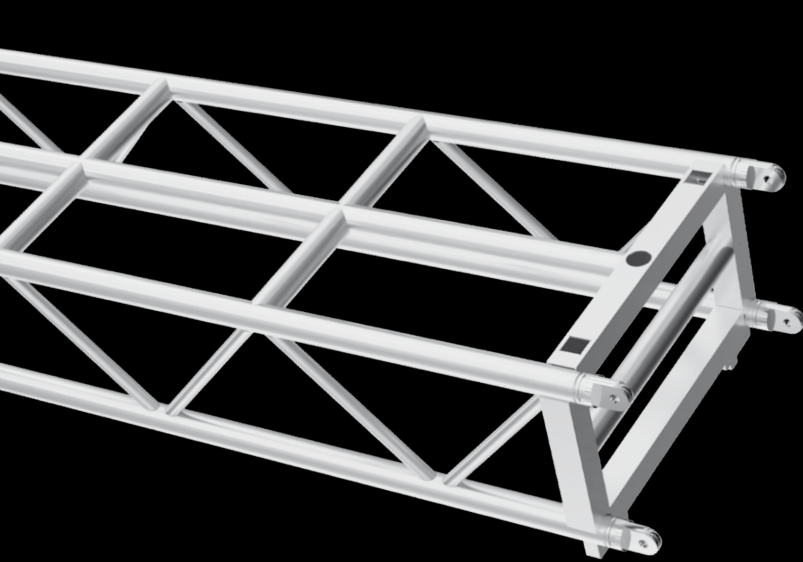


PR1-D-240B

dolly, 2.4 m in length,
black coating

FORK TRUSS

PR2 Pre-Rig Truss



SPECIFICATIONS

TUBES	50x4 mm (1.97x0.16 inch)
BRACES	25x3 mm (0.98x0.12 inch)
ALLOY	EN-AW 6082 T6



This model has profound threading that enables to pull out each connector up to 65 mm from the tube and secure it with safety ring. It allows to create angles 0°-12° with no additional corners or other accessories.

STRAIGHT SEGMENT LENGTHS

CODE	LENGTH		WEIGHT	
PR2-122	1.22m	4.00ft	32kg	70.55lbs
PR2-244	2.44m	8.01ft	45kg	99.21lbs

LOADING TABLES LC1 - LOADING OF THE TRUSS

	6m	8m	10m	12m	14m	16m	18m	20m
Distrib. Load [kg/m]	568	319	206	139	99	71	53	39
Deflection [mm]	27.2	49.2	79.1	114.3	155.9	201.1	253.1	305.2
Point load [kg]	1704	1278	1028	834	690	569	475	388
Deflection [mm]	21.9	39.8	64.3	93.6	128.6	167.6	213.2	260.5
	19.68ft	26.24ft	32.81ft	39.37ft	45.93ft	52.49ft	59.1ft	65.6ft
Distrib. Load [lb/ft]	381.68	214.36	138.43	93.40	66.52	47.71	35.61	26.21
Deflection [inch]	0.09	0.16	0.26	0.38	0.51	0.66	0.83	1.00
Point load [lb]	3756.68	2817.51	2266.35	1838.66	1521.19	1254.43	1047.20	855.40
Deflection [inch]	0.86	1.57	2.53	3.69	5.06	6.60	8.39	10.26

LOADING TABLES LC2 - LOADING AT CENTER TUBE

	6m	8m	10m	12m	14m	16m	18m	20m
Distrib. Load [kg/m]	568	319	206	139	99	71	53	39
Deflection [mm]	27.2	49.2	79.1	114.3	155.9	201.1	253.1	305.2
Point load [kg]	520	520	520	520	520	520	475	388
Deflection [mm]	7.1	17.4	35.0	62.3	101.8	156.1	213.2	260.5
	19.68ft	26.24ft	32.81ft	39.37ft	45.93ft	52.49ft	59.1ft	65.6ft
Distrib. Load [lb/ft]	381.68	214.36	138.43	93.40	0.51	47.71	35.61	26.21
Deflection [inch]	0.09	0.16	0.26	0.38	5.40	0.66	0.83	1.00
Point load [lb]	1146.40	1146.40	1146.40	1146.40	1146.40	1146.40	1047.20	855.39
Deflection [inch]	0.28	0.69	1.38	2.45	4.01	6.15	8.39	10.26

Loading tables are valid for static loads and spans with two supporting points.

Spans must be supported at each end.

Contact structural engineer if there are more supporting points applied or dynamic and wind loads involved.



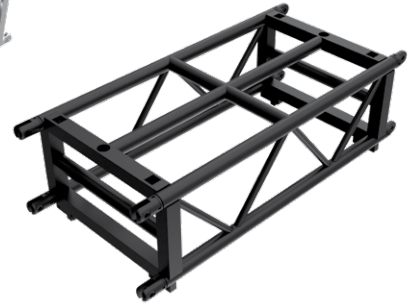
PR2-122

1.22 m in length



PR2-244

2.44m in length



PR2-122B

1.22 m in length,
black coating



PR2-244B

2.4m in length,
black coating



PR2-D-122

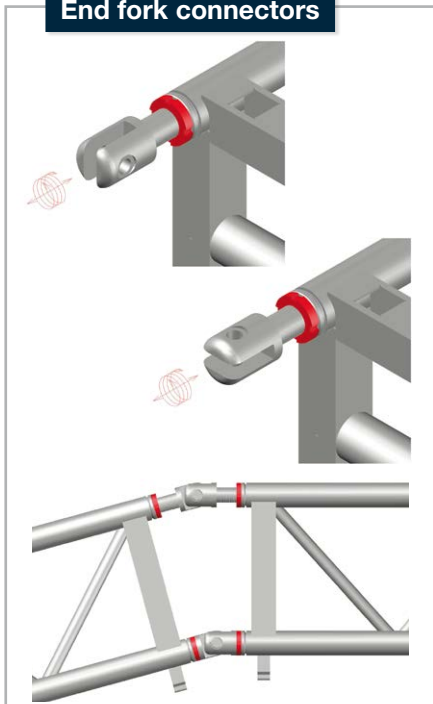
dolly, 1.2 m in length



PR2-D-244

dolly, 2.4 m in length

End fork connectors



PR2-D-122B

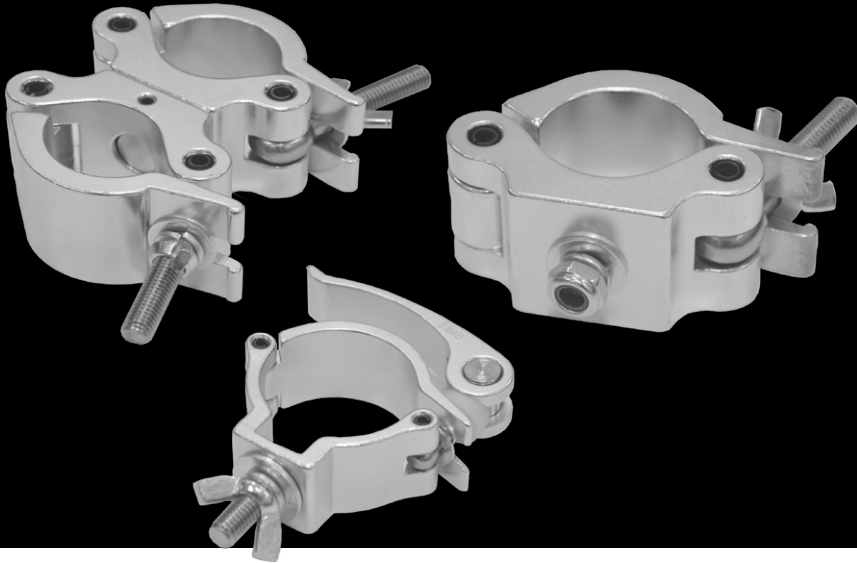
dolly, 1.2 m in length,
black coating



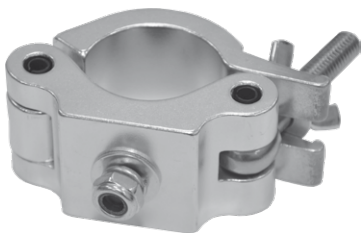
PR2-D-244B

dolly, 2.4 m in length,
black coating

CLAMPS



We offer wide range of clamps for lighting and pipe fixture to the truss. TAF clamps have great design, good looking finish and are TÜV certified. These products belong to must-have accessories for any successful rigger, truss designer or lighting professional. Clamps are standardly available in aluminium finish and black powder coating.



#8001

Halfcoupler M10, 500kg (1100lb), 48–51mm (1.9–2.0"), FT31-TT74



#8001-B

Halfcoupler M10 Black, 500kg (1100lb), 48–51mm (1.9–2.0") FT31-TT74



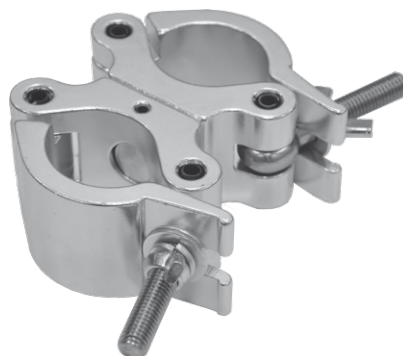
#8002

Halfcoupler M10, 200kg (440lb), 48–51mm (1.9–2.0"), FT31-TT74



#8002-B

Halfcoupler M10 Black, 200kg (440lb), 48–51mm (1.9–2.0") FT31-TT74



#8003

Swivel Coupler, 500kg (1100lb), 48–51mm (1.9–2.0"), FT31-TT74



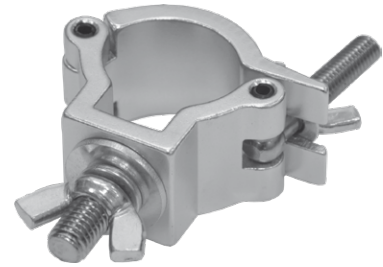
#8003-B

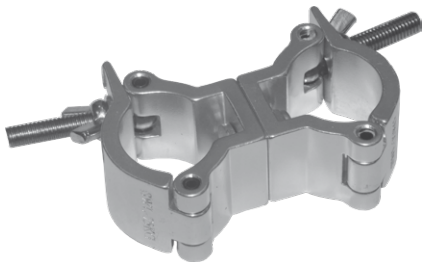
Swivel Coupler Black, 500kg (1100lb), 48–51mm (1.9–2.0") FT31-TT74

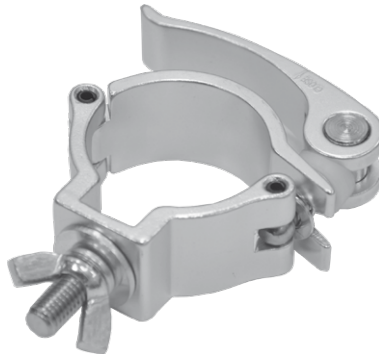

#8004

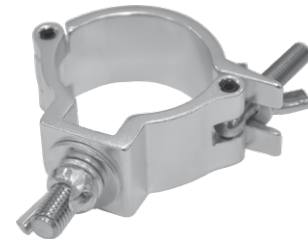
 C-clamp M10, 250kg (551lb),
48-51mm (1.9-2.0\"/>

#8004-B

 C-clamp M10 Black, 250kg
(551lb), 48-51mm (1.9-2.0\"/>

#8005

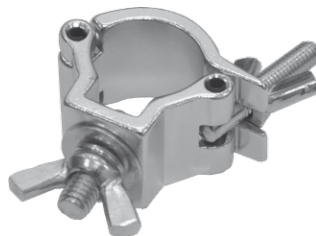
 Halfcoupler M10, 75kg (165lb),
32-35mm (1.3-1.4\"/>

#8006

 Swivel Coupler, 50kg (110lb),
32-35mm (1.3-1.4\"/>

#8007

 Quick Halfcoupler, 100kg (220lb),
48-51mm (1.9-2.0\"/>

#8011

 Halfcoupler Slim, 100kg (220lb),
48-51mm (1.9-2.0\"/>

#8011-B

 Halfcoupler Slim Black, 100kg
(220lb), 48-51mm (1.9-2.0\"/>

#8014

 Halfcoupler, 10kg (22lb),
18-20mm (0.8\"/>

#8015

 Swivel Coupler Slim, 100kg
(220lb), 48-51mm (1.9-2.0\"/>

CLAMPS



#8016

Quick Selflock Coupler, 250kg (551lb), 48-51mm (1.9-2.0\"/>



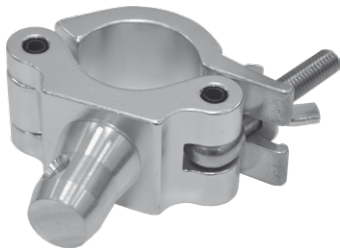
#8016-B

Quick Selflock Coupler Black, 250kg (551lb), 48-51mm (1.9-2.0\"/>



#8017

Halfcoupler M10 + Eye Bolt, 200kg (440lb), 48-51mm (1.9-2.0\"/>



#8018

Halfcoupler M10 + Halfconnector



#8019

Stabiliser Clamp 48-51mm (1.9-2.0\"/>



#8020

Side Clamp, 48-51mm (1.9-2.0\"/>



#8022

Key for clamps



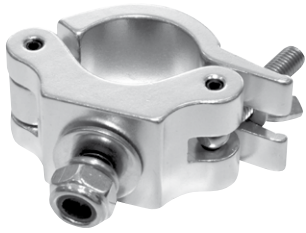
#8026

Swivel Coupler, 10kg (22lb), 18-20mm (0.8\"/>



#8027

C-clamp M8, 75kg (165lb), 32-35mm (1.3-1.4\"/>


#8028

 Halfcoupler 200kg (440lb),
32-35mm (1.3-1.4") FT21-FT24

#8029

 Light Hook Coupler, 75kg
(165lb), 32-35mm (1.3-1.4")
FT21-FT24

#8031

 Side Clamp Slim+halfcon. 300kg
(660lb), 48-51mm (1.9-2.0")
FT31-TT74

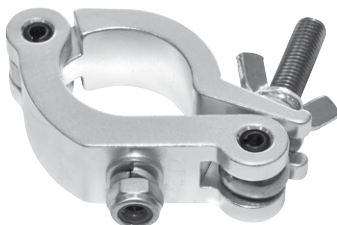
#8032

 Light Hook Coupler, 250kg
(551lb), 48-51mm (1.9-2.0")
FT31-TT74

#8033

 Swivel Coupler Slim 200kg
(440lb), 48-51mm (1.9-2.0")
FT31-TT74

#8034

 Halfcoupler M12, 750kg (1650lb),
48-51mm (1.9-2.0") FT31-TT74

#8037

 Side Clamp Slim 300kg (660lb),
48-51mm (1.9-2.0") FT31-TT74

#8102

 Snap Clamp
black
48-51mm
(1.9-2.0")
FT31-TT74

#8103

 Snap Clamp
silver
48-51mm
(1.9-2.0")
FT31-TT74

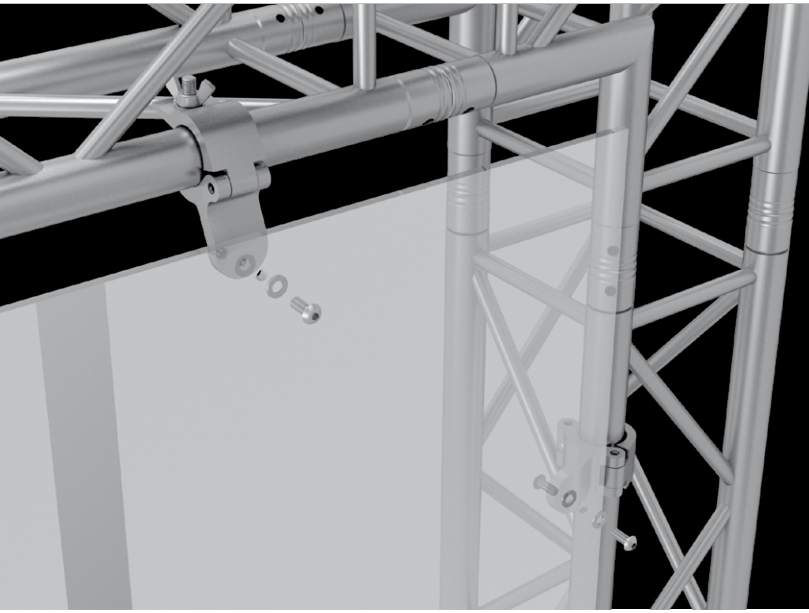
#8104

 Snap Clamp
black
48-51mm
(1.9-2.0")
FT31-TT74

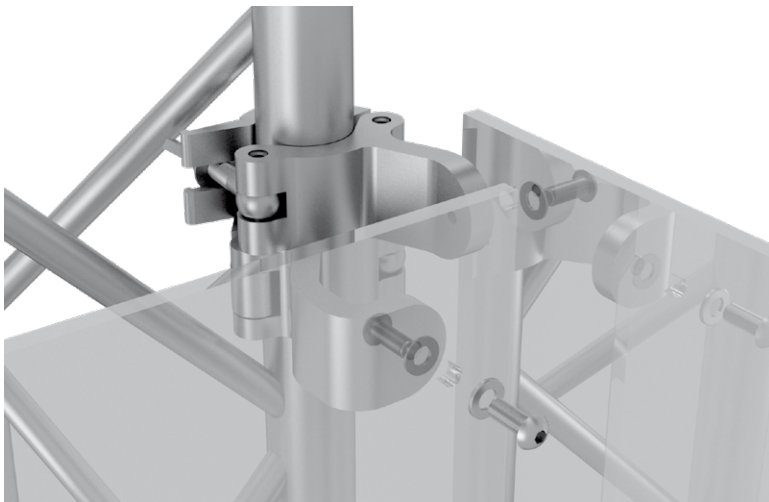
#8105

 Snap Clamp
silver
48-51mm
(1.9-2.0")
FT31-TT74

EXHIBIT CLAMPS



TAF exhibit clamps are designed to accommodate your various needs when building up the exhibition booths with different types of walls. Exhibition clamps come out in two sizes one for 50mm tubes and one for 35mm tubes. This brings yet another variety to your planned designs. Exhibit clamps are made to be able to fix walls from different materials to the aluminium truss stands in order to create the proper exhibit or show design of your booth.



#8021

Exhibit clamp straight M8, 500kg (1100lb), 48–51mm (1.9–2.0"), FT31-TT74



#8023

Exhibit clamp bent M8, 500kg (1100lb), 48–51mm (1.9–2.0"), FT31-TT74



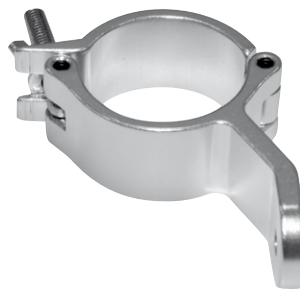
#8024

Exhibit clamp straight M8, 32–35mm (1.3–1.4")



#8025

Exhibit clamp bent M8, 32–35mm (1.3–1.4")



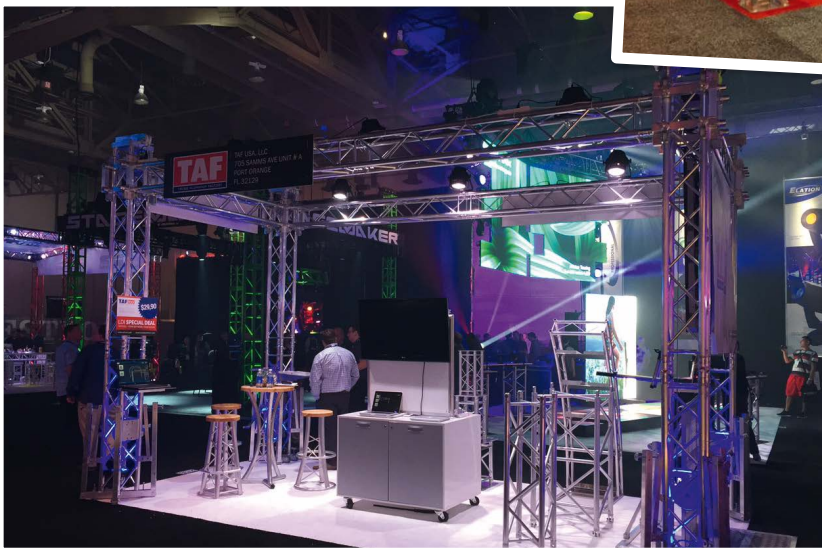
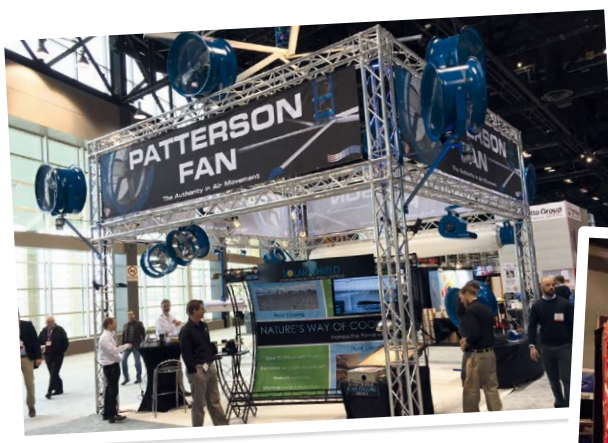
#8035

Exhibit clamp bent M8, 100kg
(220lb), 48-51mm (1.9-2.0")
FT31-TT74

#8036

Exhibit clamp straight, 100kg
(220lb), 48-51mm (1.9-2.0")
FT31-TT74

CLAMPS





TOWERS

TAF towers have wide range of applications. There are two basic kinds of TAF tower systems. The towers used as supportive stands for various grids (e.g. in roof systems or large span structures) and PA towers used as a support of the speakers.

TOWER 05

It is a light duty tower version built up from standard HT34 trussing. Tower 05 is great tool for smaller set ups with lesser loads to carry. It is easy to transport and use. It comes equipped with everything that is necessary for its successful installation.

TOWER 1

Tower 1 has many various applications and is used mostly in TAF Roof 1 and Roof 2 systems. However, there are no limits to its other applications such as are stands for LED screens, roof wings or speaker holders etc.

TOWER 2

Tower 2 is a stronger version of the roof tower and can go up to 12m in height. It is very suitable option for larger roof systems used at big concerts or festivals.

BOLTED TOWER TFTB-L

Bolted light duty tower is a great structure to be used with standard 12" bolted truss in order to create various ground supports including roof systems, LED supports and other structures.

PA TOWER 05

PA Tower 05 is a great looking design PA Tower for smaller events. It supports speakers up to 300kg (661lb) with the total height 6.3m (21ft). The PA Tower consists of standard FT34 trussing segments. It can be adjusted to accommodate various types of rigging motors

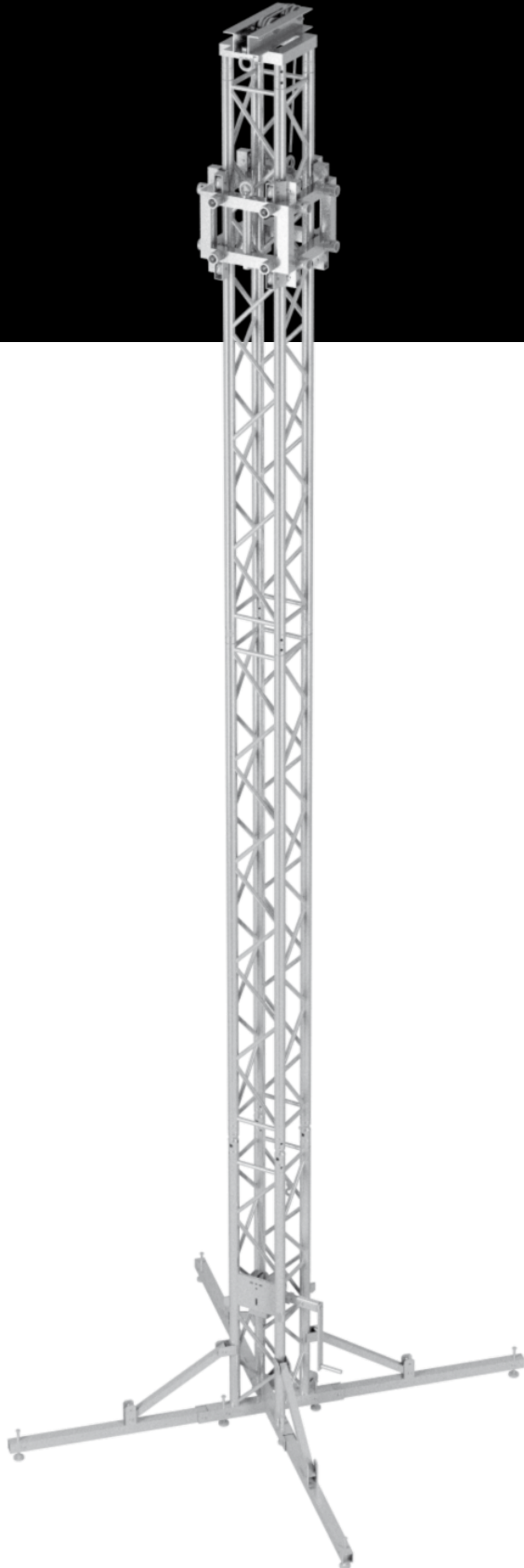
PA TOWER 1

PA Tower 1 with its relatively small dimensions is perfect for various kinds of application, e.g. outdoor events, concerts, shopping malls, entrance halls, exhibitions, displays, theme parks and corporate events.

PA TOWER 2

PA Tower 2 is a stronger version of the PA Tower fit for the medium size events such as concert and entertainment shows, festivals, theme parks, corporate events and many others.

TOWER 05



TOWER 05

Light duty tower version for smaller set ups. It is made of quicklock line HT34 trussing and it is equipped with handwinch, steel rope and outriggers. Max. lifting height 6.5m (21.33ft) with the possibility to lift loads of 500kg (1100lb). It is a great tool for building up smaller roof systems, LED supports, strong lighting supports, DJ booths etc.

PART LIST

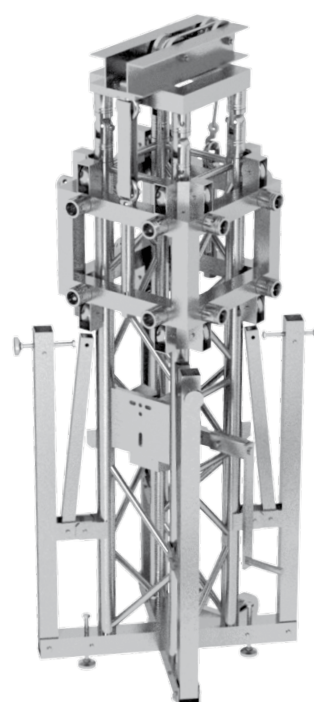
TOWER SET 05	1 pcs
	- tower 05 base plate - tower 05 sleeve block - tower 05 top section - tower 05 handwinch - TT HS
HT34-250	2 pcs
TT SH	1 pcs

SPECIFICATIONS

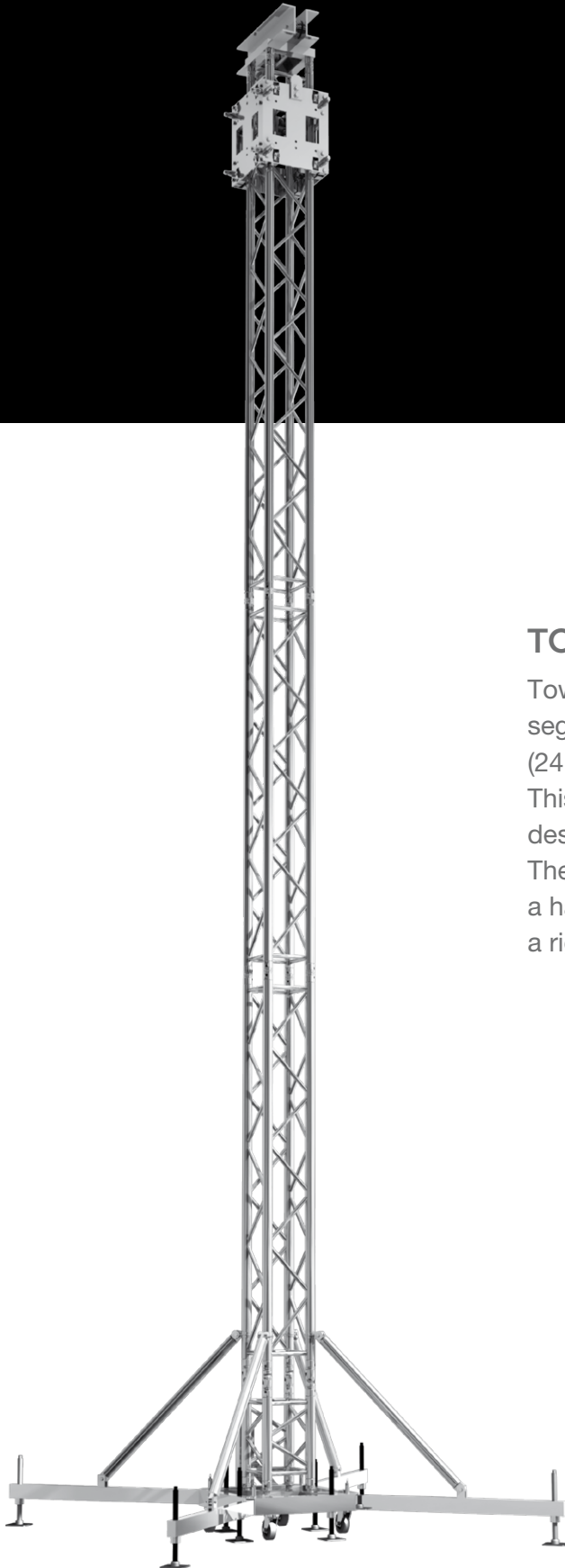
SELF WEIGHT	100 kg (220,5lb)
HEIGHT	6,5m (21,3ft)
LOAD CAPACITY	500 kg (1100lb)

MAST SECTION HT34

MAIN TUBES	50x3mm (2x0,12")
BRACES	20x2mm (0,8x0,08")
ALLOY	EN-AW 6082 T6

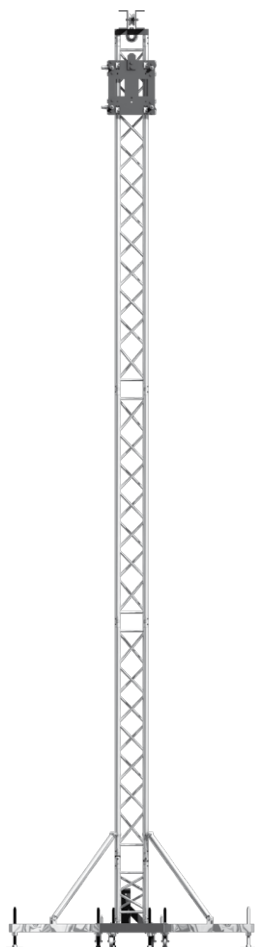


TOWER 1



TOWER 1

Tower 1 is made from quick-lock line segments and it can go up to 7.5m (24.6ft). Its loading capacity is 1000kg. This tower system is very useful in roof designs and big LED screens set ups. The tower can be equipped either by a hand winch, a manual chain hoist or a rigging motor.



PART LIST

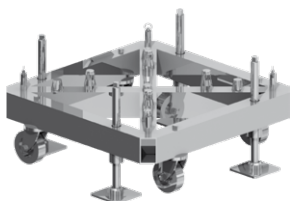
TT BP	1 pcs
TT SB	1 pcs
TT HS	4 pcs
TT TS	1 pcs
TT LO	4 pcs
TT34-50	1 pcs
TT34-200	2 pcs
TT34-300	1 pcs
TT SH	1 pcs

SPECIFICATIONS

SELF WEIGHT	120kg (264,6lb)
HEIGHT	7,5m (24,6ft)
LOAD CAPACITY	1000kg (2205lb)

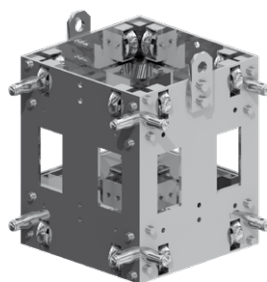
MAST SECTION TT34

MAIN TUBES	50x4mm (2x0,16")
BRACES	20x2mm (0,8x0,08")
ALLOY	EN-AW 6082 T6



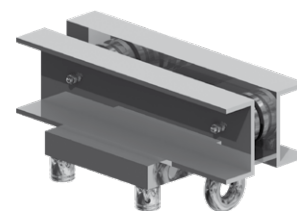
TT BP

Steel base plate



TT SB

Sleeve block



TT TS

Top section



TT LO

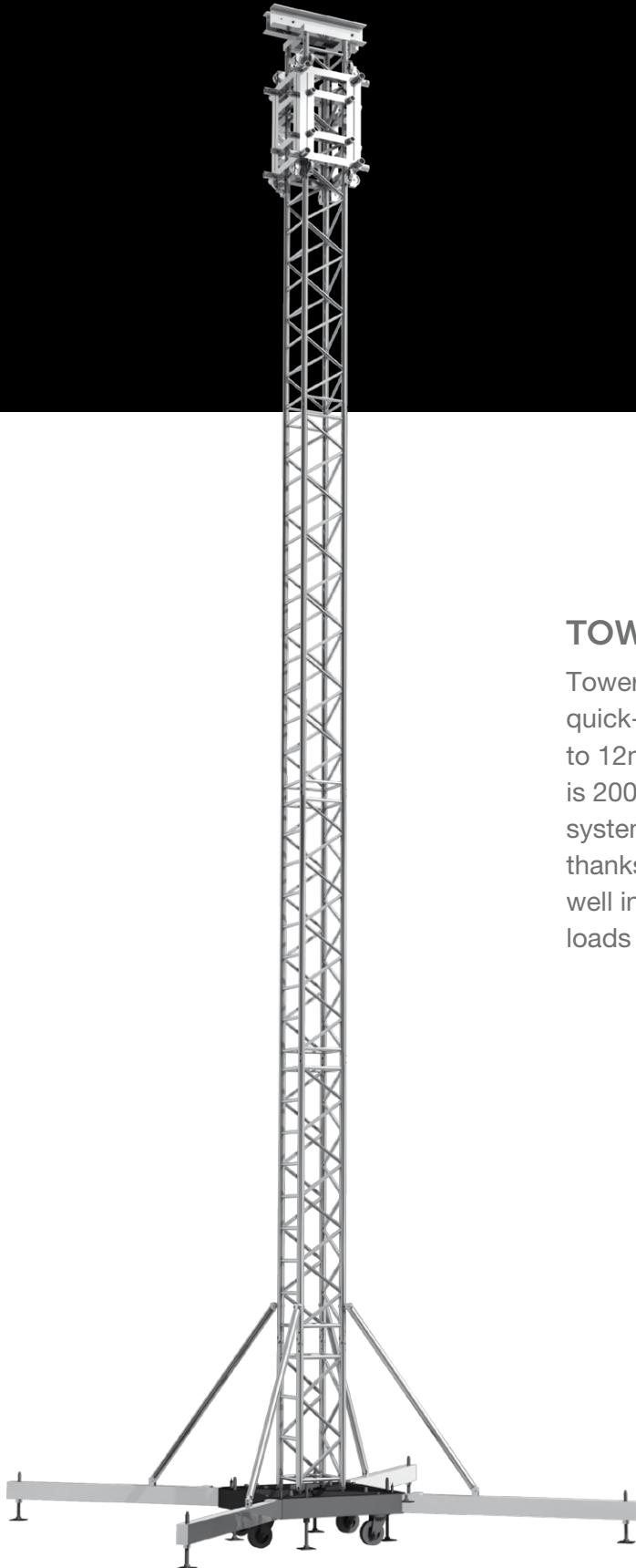
Long outrigger



TT HS

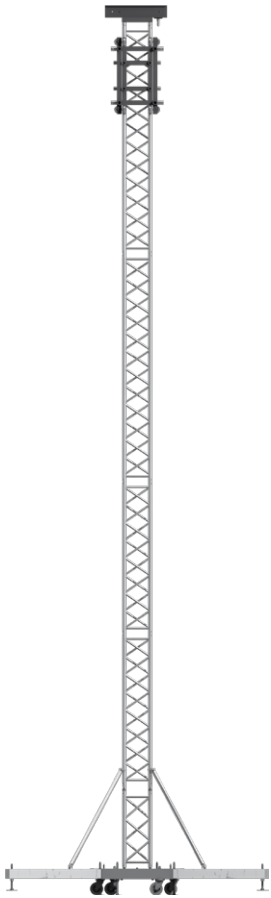
Hinge section

TOWER 2



TOWER 2

Tower 2 is a heavy duty tower from quick-lock line segments that can go up to 12m (39ft) and its loading capacity is 2000kg (4410lb). This type of tower system is also used in TAF Roof 3 and thanks to its characteristics works very well in large scale structures with high loads and longer spans.


PART LIST

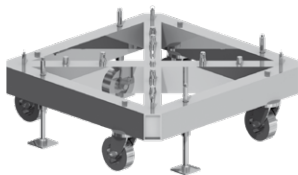
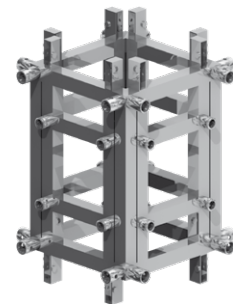
TGS BP	1 pcs
TGS SB	1 pcs
TT HS	4 pcs
TGS TS	1 pcs
TGS LO	4 pcs
TT44-100	1 pcs
TT44-200	4 pcs
TT44-300	1 pcs
TT SH2	1 pcs

SPECIFICATIONS

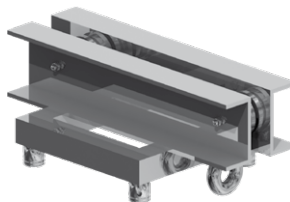
SELF WEIGHT	315kg (694,5lb)
HEIGHT	12m (39,4ft)
LOAD CAPACITY	2000kg (4409,2lb)

MAST SECTION TT44

MAIN TUBES	50x4mm (2x0,16")
BRACES	25x3mm (1x0,12")
ALLOY	EN-AW 6082 T6


TGS BP

Steel base plate


TGS TS

Top section

TGS-SB-1

 Sleeve block Tower 2 for TT74,
TT54, FT44

TGS-SB-2

 Sleeve block Tower 2 for TT74,
TT54

TGS-SB-3

 Sleeve block Tower 2 for TT54,
FT44

TGS-SB-4

Sleeve block Tower 2 for TT74

TGS-SB-5

Sleeve block Tower 2 for TT54

TGS-SB-6

Sleeve block Tower 2 for TT44

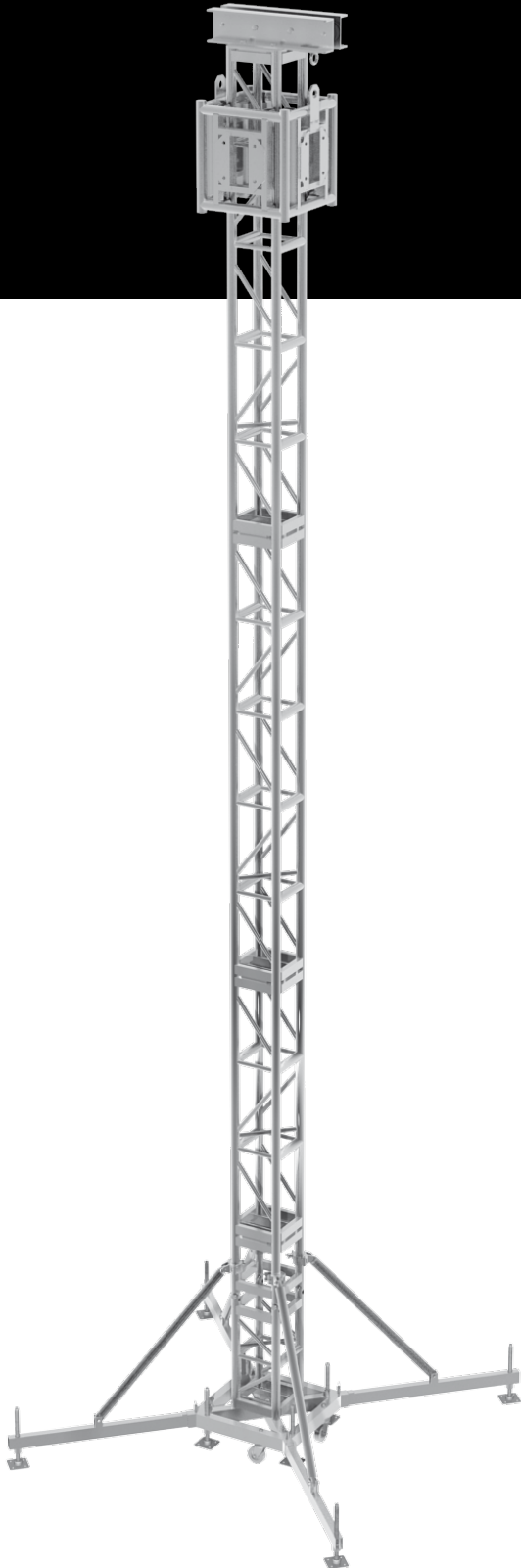

TGS LO

Long outrigger


TT HS

Hinge section

BOLTED TOWER TFTB-L



TFTB-L

Bolted truss tower system TFTB-L is designed in order to create ground supports from the standard 12" bolted truss FTB-L. It can reach 7m (23ft) in height and its maximum loading capacity is 1000kg (2205lb). The tower can be equipped either by manual chainhoist or rigging motor.

PART LIST

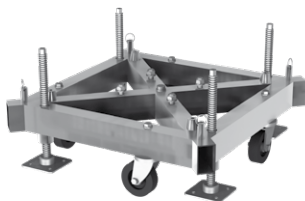
TFTB-L-BP	1 pcs
TFTB-L-SB L	1 pcs
TFTB-L-HS	1 pcs
TFTB-L-TS	1 pcs
TFTB-L-LO	4 pcs
FTB-L-SB L ZO	2 pcs
FTB-L-5	1 pcs
FTB-L-8	2 pcs

SPECIFICATIONS

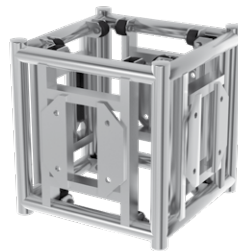
SELF WEIGHT	145kg (320lb)
HEIGHT	7.5m (24.6ft)
LOAD CAPACITY	1000kg (2205lb)

MAST SECTION FTB-L

MAIN TUBE	50x3mm (2x0.12")
BRACES	25x3mm (1x0.12")
ALLOY	EN-AW 6082 T6


TFTB-L-BP TT BP

Steel base plate for TFTB-L


TFTB-L-SB L

Bolted tower sleeve block for FTB-L connection


TFTB-L-TS

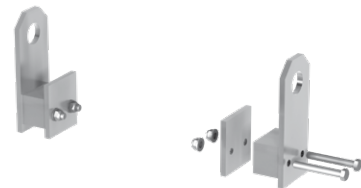
Top section for bolted tower


TFTB-L-LO

Bolted tower long outrigger stabilize

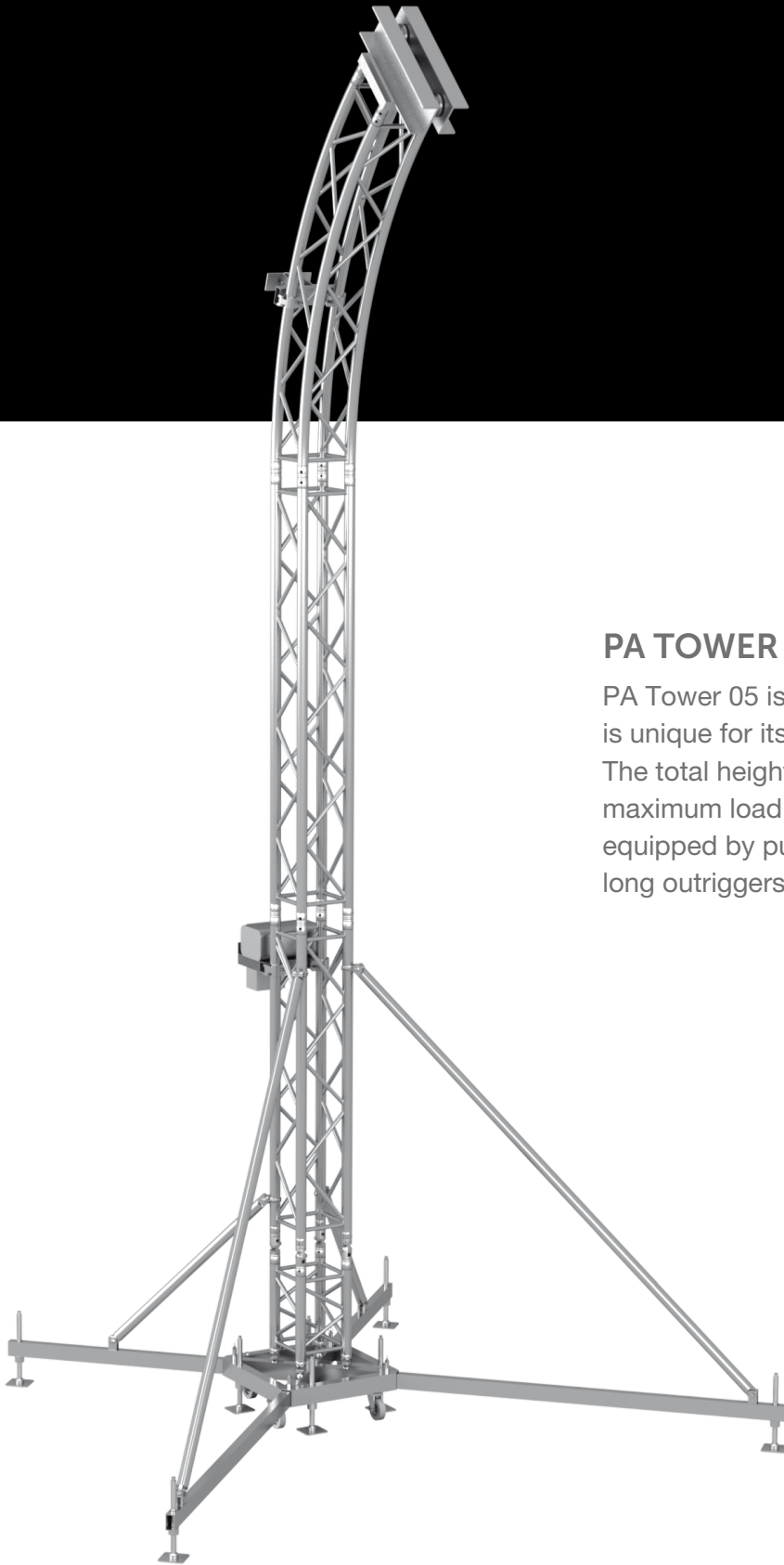

TFTB-L-HS

Hinge section for bolted tower 3.5ft (1.07m)


TFTB-L-SB L ZO

Removable rigging eye for the bolted tower sleeve bloc

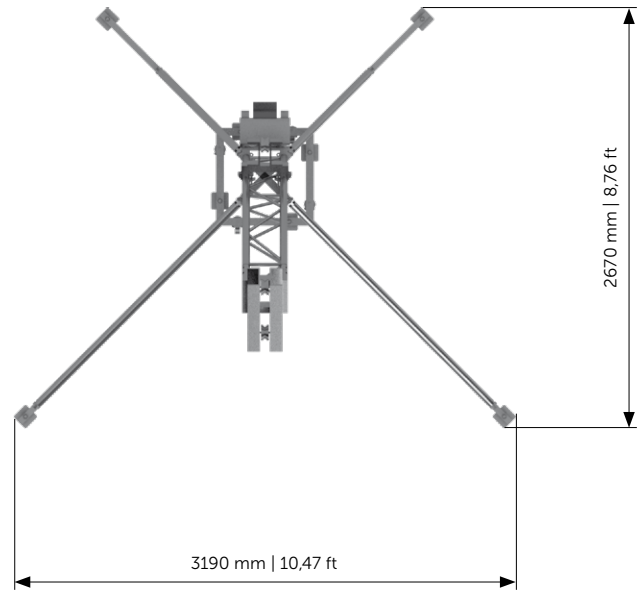
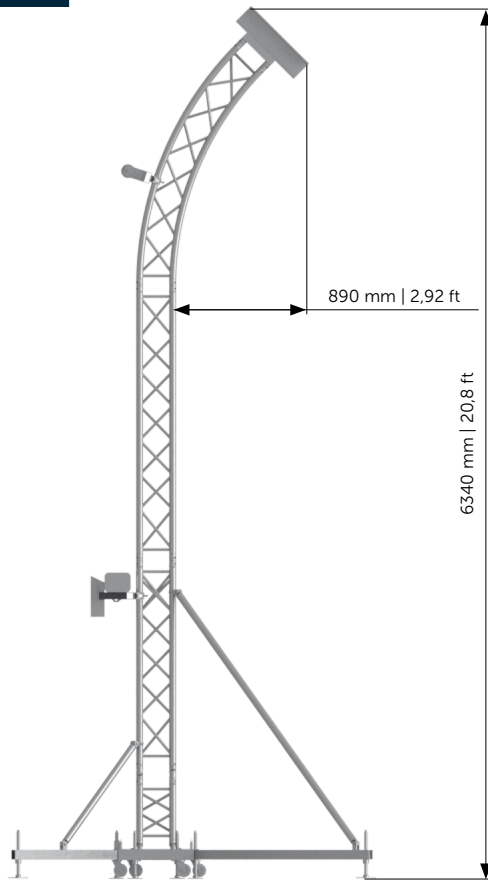
PA TOWER 05



PA TOWER 05

PA Tower 05 is a smaller load tower that is unique for its design and functionality. The total height is 6.3m (21ft) and the maximum load is 300kg (660lb). It is equipped by pulley, motor holder and long outriggers.

SIZE



TOWERS

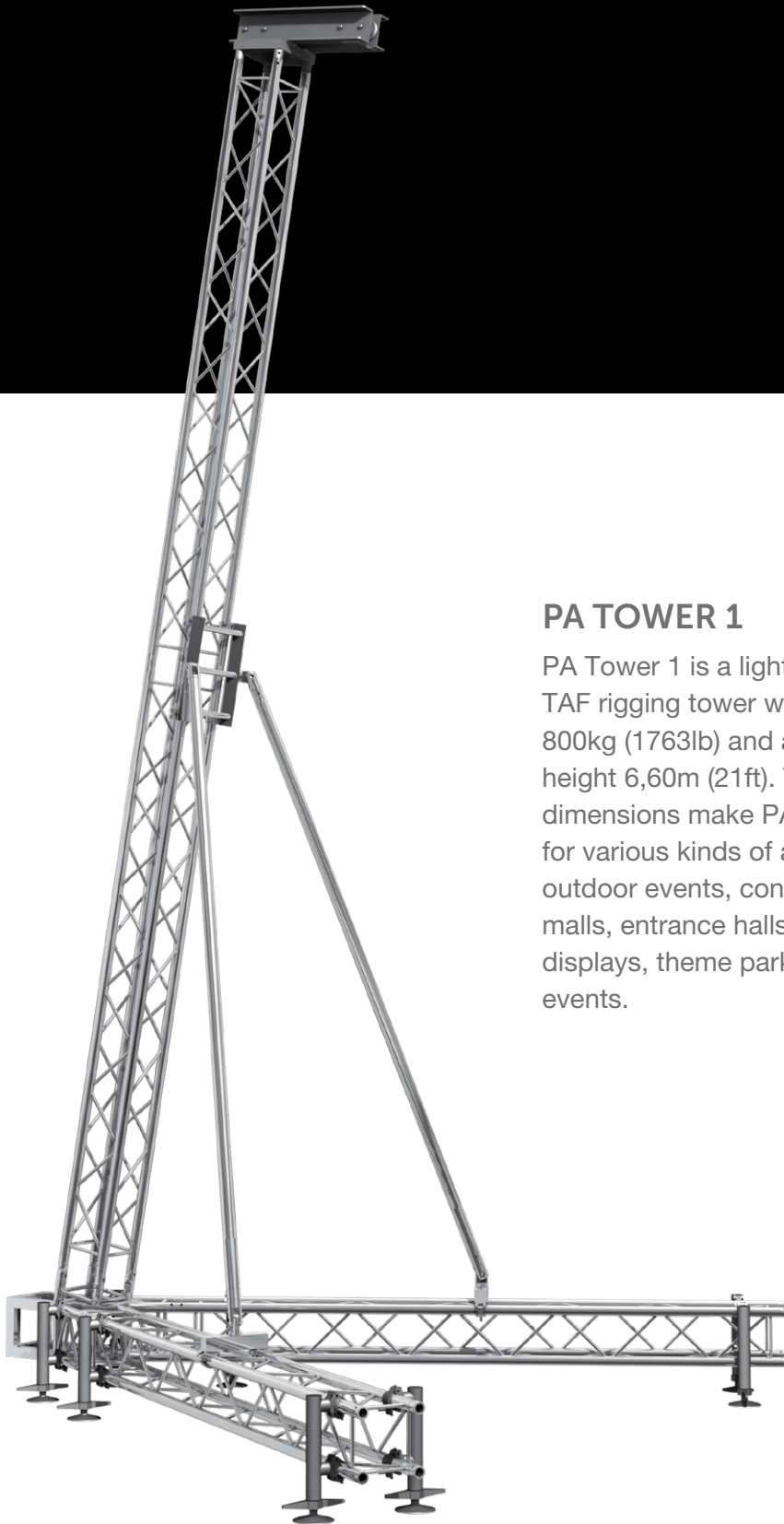
PART LIST

Type	Quantity
FT34-50	1
FT34-150	1
FT34-200	1
FT34-C-5m	1/8
TT HS	4
TT TS	1
TT BP	1
TT LO	2
TT LO PA05	2
Pulley	1
Motor holder	1

SPECIFICATIONS

MAX. LIFTING HEIGHT	6m (19,7ft)
MAX. LOADING CAPACITY	350 kg (771,6lb)
MAIN TUBES	50x2mm (2x0,08")
BRACES	20x2mm (0,8x0,08")
ALLOY	EN-AW 6082 T6

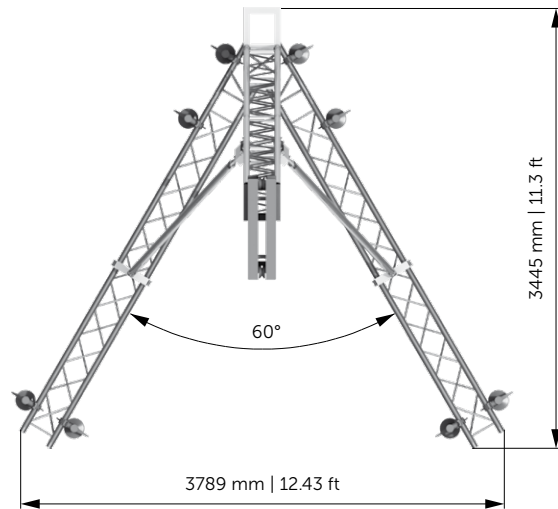
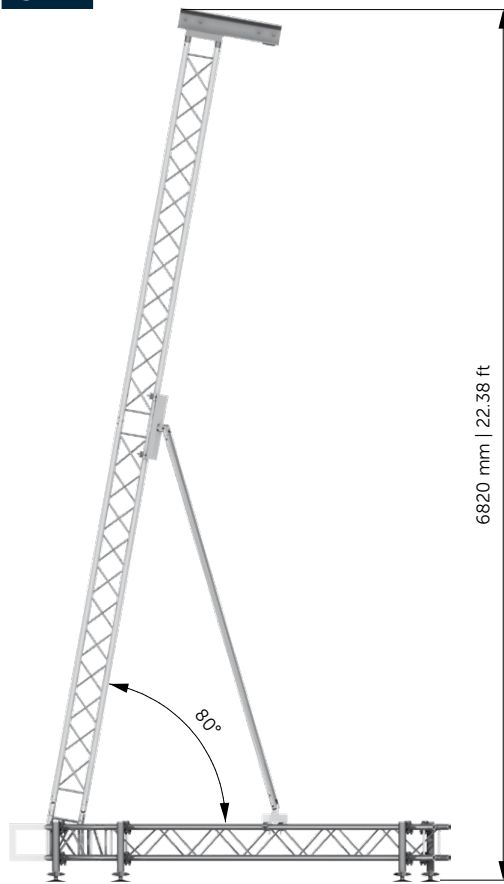
PA TOWER 1



PA TOWER 1

PA Tower 1 is a light duty version of TAF rigging tower with loading capacity 800kg (1763lb) and a maximum lifting height 6,60m (21ft). The relatively small dimensions make PA Tower 1 suitable for various kinds of application, e.g. outdoor events, concerts, shopping malls, entrance halls, exhibitions, displays, theme parks and corporate events.

SIZE



TOWERS

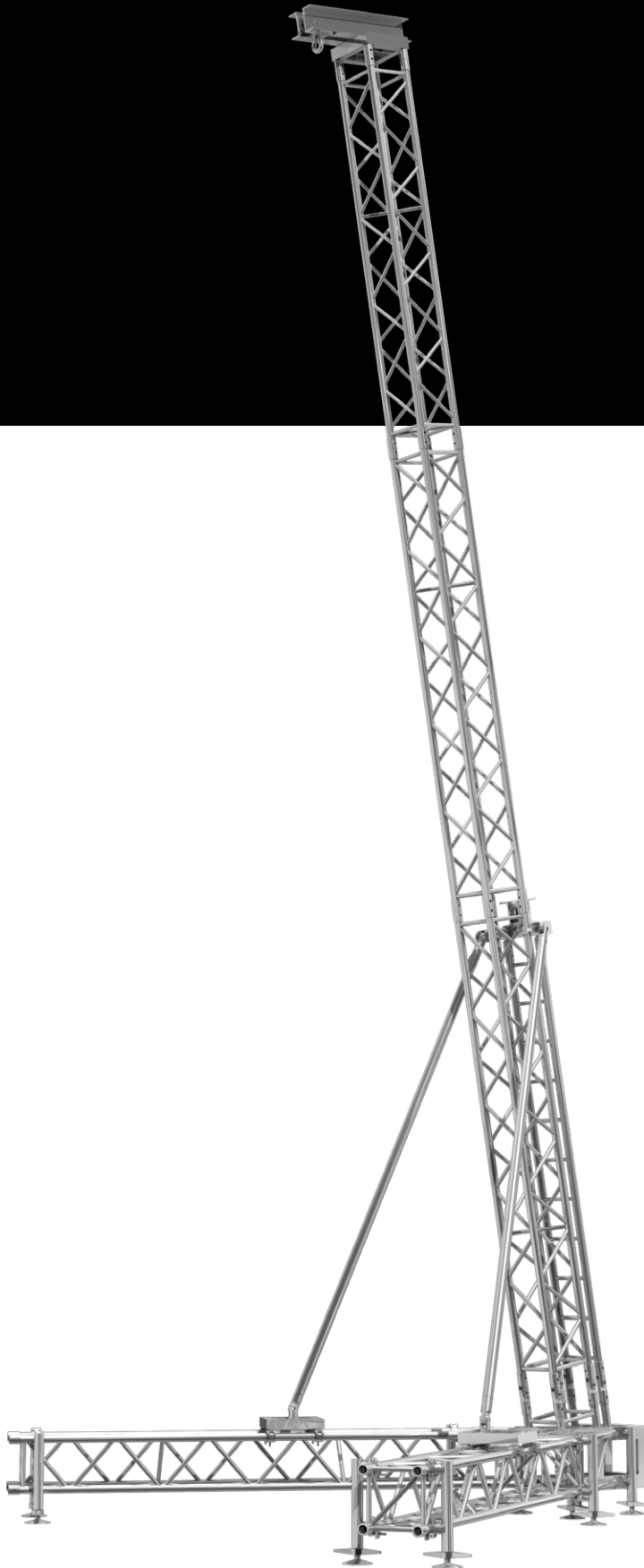
PART LIST

Type	Quantity
TT34-300	4
BASE CORNER 60°	1
REAR STABILISER	1
CONNECTION STAB	2
TOP SECTION	1
STABILIZER PIPES 60x5	2
SCREW JACK ATTACHMENT	8
SCREW JACK	8

SPECIFICATIONS

MAX.LIFTING HEIGHT	6.6m (21.65ft)
MAX.LOADING CAPACITY	800kg (1764lb)
MAIN TUBE	50x4mm (2x0,16")
BRACES	20x2mm (0,8x0,08")
ALLOY	EN-AW 6082 T6

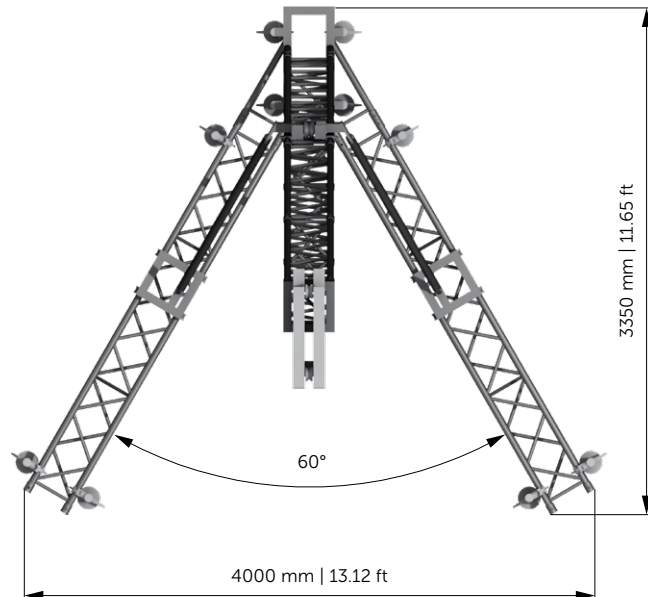
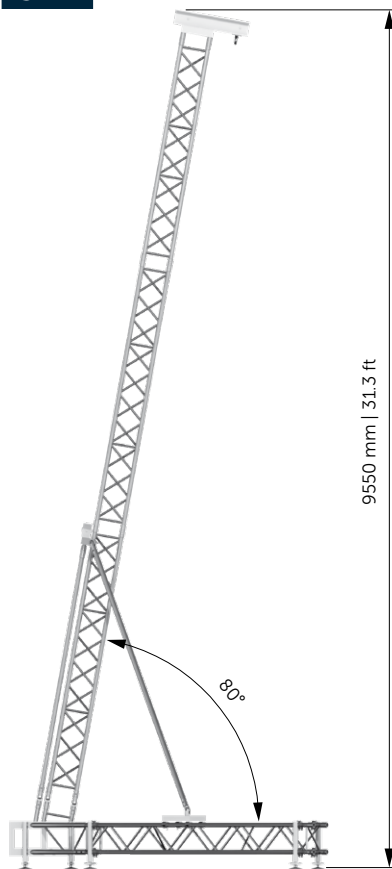
PA TOWER 2



PA TOWER 2

The medium duty PA Tower 2 with loading capacity 1000kg (2204lb) and a maximum lifting height of 9,25m (30ft). The stronger structure and higher loading capacity make the PA Tower 2 fit for medium size events such as concert and entertainment shows, festivals, theme parks, corporate events and many others.

SIZE



TOWERS

PART LIST

Type	Quantity
TQ4-36-3000	4
TQ4-36-2500	1
BASE CORNER 60°	1
REAR STABILISER	1
CONNECTION STAB.LEFT	1
CONNECTION STAB.RIGHT	1
TOP SECTION	1
STABILIZER PIPES 60x5	2
SCREW JACK ATTACHMENT	6
SCREW JACK	10

SPECIFICATIONS

MAX.LIFTING HEIGHT	9.25m (30.35ft)
MAX.LOADING CAPACITY	1000kg (2205lb)
SYSTEM WEIGHT	425kg (937lb)
BALAST	500kg (1102lb)
ALLOY	EN-AW 6082 T6

TAF RIGGING MOTORS

supported by **CHAIN-MASTER**

ChainMaster is a world leader in the development and production of chain hoists adapted to the rigors of day-to-day stage use.

ChainMaster range includes drives for daily use in the many fields of modern events technology.

All demands – from installation work to complex scene changes and customer-specific applications for theatres, opera houses, TV studios, multi-function halls and the touring sector – are met with solutions designed and implemented in close cooperation with users.

Through the use of a wide range of auxiliary equipment offering optimal performance, it is possible to assemble the basic components for every conceivable case, and use them in accordance with a very wide range of national and international guidelines and safety standards.

BGV-D8

Basic Features

- Capacity 250 kg - 5000 kg
- Climbing or Standard Suspension
- Direct or Contactor Control
- Light and compact Housing
- Precise Chain Guide
- 5-Pocket Chain Wheel
- Textile Chain Bag
- DC Brake
- Patented Friction Clutch for Overload Protection



BGV-D8 ELECTRIC CHAIN HOISTS

Chain with 1 fall

Capacity	Speed	Falls	Load chain in mm DIN-5684-8	Weight w.o. chain	Data/ Sheets
250 kg	4 m/min	1	4 x 12 mm	15 kg	on request
250 kg	6 m/min	1	4 x 12 mm	15 kg	on request
320 kg	4 m/min	1	4 x 12 mm	15 kg	on request
500 kg	4 m/min	1	5,2 x 15 mm	20 kg	on request
500 kg	10 m/min	1	7 x 22 mm	27 kg	on request
1000 kg	4 m/min	1	7 x 22 mm	27 kg	on request
1000 kg	5 m/min	1	7 x 22 mm	27 kg	on request
1000 kg	8 m/min	1	7 x 22 mm	27 kg	on request
1000 kg	10 m/min	1	7 x 22 mm	27 kg	on request
1600 kg	5 m/min	1	9 x 27 mm	58 kg	on request
1600 kg	10 m/min	1	9 x 27 mm	58 kg	on request
2500 kg	4 m/min	1	11 x 31 mm	74 kg	on request
2500 kg	8 m/min	1	11 x 31 mm	74 kg	on request

BGV-D8 ELECTRIC CHAIN HOISTS

Chain with 2 falls

Capacity	Speed	Falls	Load chain in mm DIN-5684-8	Weight w.o. chain	Data/ Sheets
500 kg	2 m/min	2	4 x 12 mm	15 kg	on request
500 kg	3 m/min	2	4 x 12 mm	15 kg	on request
1000 kg	2 m/min	2	5,2 x 15 mm	21 kg	on request
1000 kg	5 m/min	2	7 x 22 mm	27 kg	on request
2000 kg	2 m/min	2	7 x 22 mm	27 kg	on request
2000 kg	2,5 m/min	2	7 x 22 mm	27 kg	on request
2000 kg	4 m/min	2	7 x 22 mm	27 kg	on request
2000 kg	5 m/min	2	7 x 22 mm	27 kg	on request
3200 kg	2,5 m/min	2	9 x 27 mm	58 kg	on request
3200 kg	5 m/min	2	9 x 27 mm	58 kg	on request
5000 kg	2 m/min	2	11 x 31 mm	74 kg	on request
5000 kg	4 m/min	2	11 x 31 mm	74 kg	on request
2500 kg	8 m/min	1	11 x 31 mm	74 kg	on request

(All data is approximate; we cannot accept any liability for errors and omissions, and we reserve the right to make changes.)

BGV-D8+

Basic Features

- Capacity 125 - 2500 kg
- Climbing or Standard Suspension
- Direct or Contactor Control
- Light and compact Housing
- Precise Chain Guide
- 5-Pocket Chain Wheel
- Textile Chain Bag
- 2 DC Brakes
- Patented Friction Clutch for Overload Protection



D8 PLUS ELECTRIC CHAIN HOISTS

Chain with 1 fall

Capacity	Speed	Falls	Load chain in mm DIN-5684-8	Weight w.o. chain	Data/ Sheets
125 kg	4 m/min	1	4 x 12 mm	15 kg	on request
125 kg	6 m/min	1	4 x 12 mm	15 kg	on request
160 kg	4 m/min	1	4 x 12 mm	15 kg	on request
160 kg	6 m/min	1	4 x 12 mm	15 kg	on request
250 kg	4 m/min	1	5,2 x 15 mm	21 kg	on request
250 kg	8 m/min	1	5 x 15 mm	27 kg	on request
250 kg	10 m/min	1	7 x 22 mm	27 kg	on request
320 kg	4 m/min	1	5,2 x 15 mm	21 kg	on request
500 kg	4 m/min	1	7 x 22 mm	27 kg	on request
500 kg	5 m/min	1	7 x 22 mm	27 kg	on request
500 kg	10 m/min	1	7 x 22 mm	30 kg	on request
800 kg	4 m/min	1	9 x 27 mm	58 kg	on request
800 kg	5 m/min	1	9 x 27 mm	58 kg	on request
800 kg	10 m/min	1	9 x 27 mm	58 kg	on request
1000 kg	4 m/min	1	9 x 27 mm	58 kg	on request
1250 kg	4 m/min	1	11 x 31 mm	80 kg	on request
1250 kg	8 m/min	1	11 x 31 mm	80 kg	on request

D8 PLUS ELECTRIC CHAIN HOISTS

Chain with 2 falls

Capacity	Speed	Falls	Load chain in mm DIN-5684-8	Weight w.o. chain	Data/ Sheets
250 kg	2 m/min	2	4 x 12 mm	15 kg	on request
250 kg	3 m/min	2	4 x 12 mm	15 kg	on request
500 kg	4 m/min	2	5 x 12 mm	27 kg	on request
500 kg	5 m/min	2	7 x 22 mm	27 kg	on request
1000 kg	2 m/min	2	7 x 22 mm	27 kg	on request
1000 kg	2,5 m/min	2	7 x 22 mm	27 kg	on request
1000 kg	5 m/min	2	7 x 22 mm	30 kg	on request
1600 kg	2,5 m/min	2	9 x 27 mm	58 kg	on request
1600 kg	5 m/min	2	9 x 27 mm	58 kg	on request
2500 kg	2 m/min	2	11 x 31 mm	80 kg	on request
2500 kg	4 m/min	2	11 x 31 mm	80 kg	on request
5000 kg	4 m/min	2	11 x 31 mm	74 kg	on request
2500 kg	8 m/min	1	11 x 31 mm	74 kg	on request

(All data is approximate; we cannot accept any liability for errors and omissions, and we reserve the right to make changes.)



LED FRAMES

LED frame 5x3m

LED frame 5x3m is an easy and fast assembly system that can equip LED screen of 5x3m (16,4x9,8ft) with maximum weight of 1200kg (2645lb). The LED frame is built up from FT44 and FT34 trussing segments.

LED frame 6x4m

LED frame 6x4m is an easy and fast assembly system that can equip LED screen of 6x4m (19,7x13,1ft) with maximum weight of 2000kg (4410lb). The LED frame is built up from FT44 and TT54 trussing segments.

LED frame 8x6m

LED frame 8x6m is an easy and fast assembly system that can equip LED screen of 8x6m (26,2x19,7ft) with maximum weight of 3000kg (6615lb). The LED frame is built up from FT44 and TT74 trussing segments and the max. lifting height is ca. 8,6m (28ft)

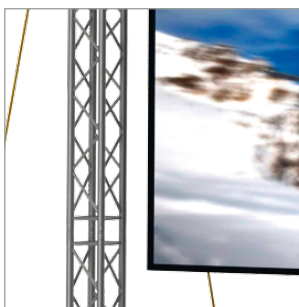
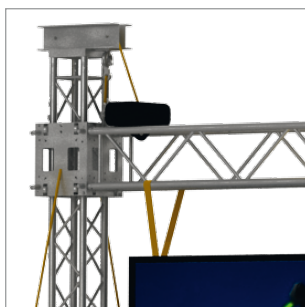


LED frame 5x3m

LED frame 5x3m is an easy and fast assembly system that can equip LED screen of 5x3m (16,4x9,8ft) with maximum weight of 1200kg (2645lb). The LED frame is built up from FT44 and FT34 trussing segments.

SPECIFICATIONS

Max. dimension	6.35x4.62m (20.8x15.2ft)
Max. LED size	5x3m (16.4x9.8ft)
Max. Height	8.49m (27.9ft)
Max. load capacity	1200kg (2645lb)
Total weight of construction	650kg (1433lb)



LED frame 6x4m



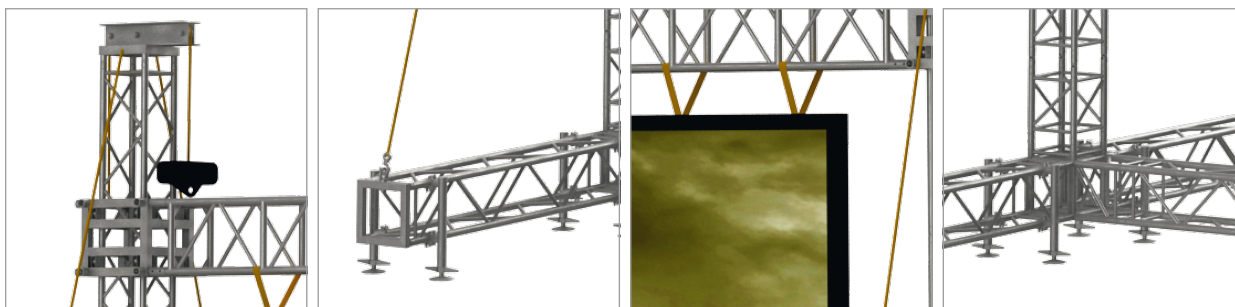
LED
FRAMES

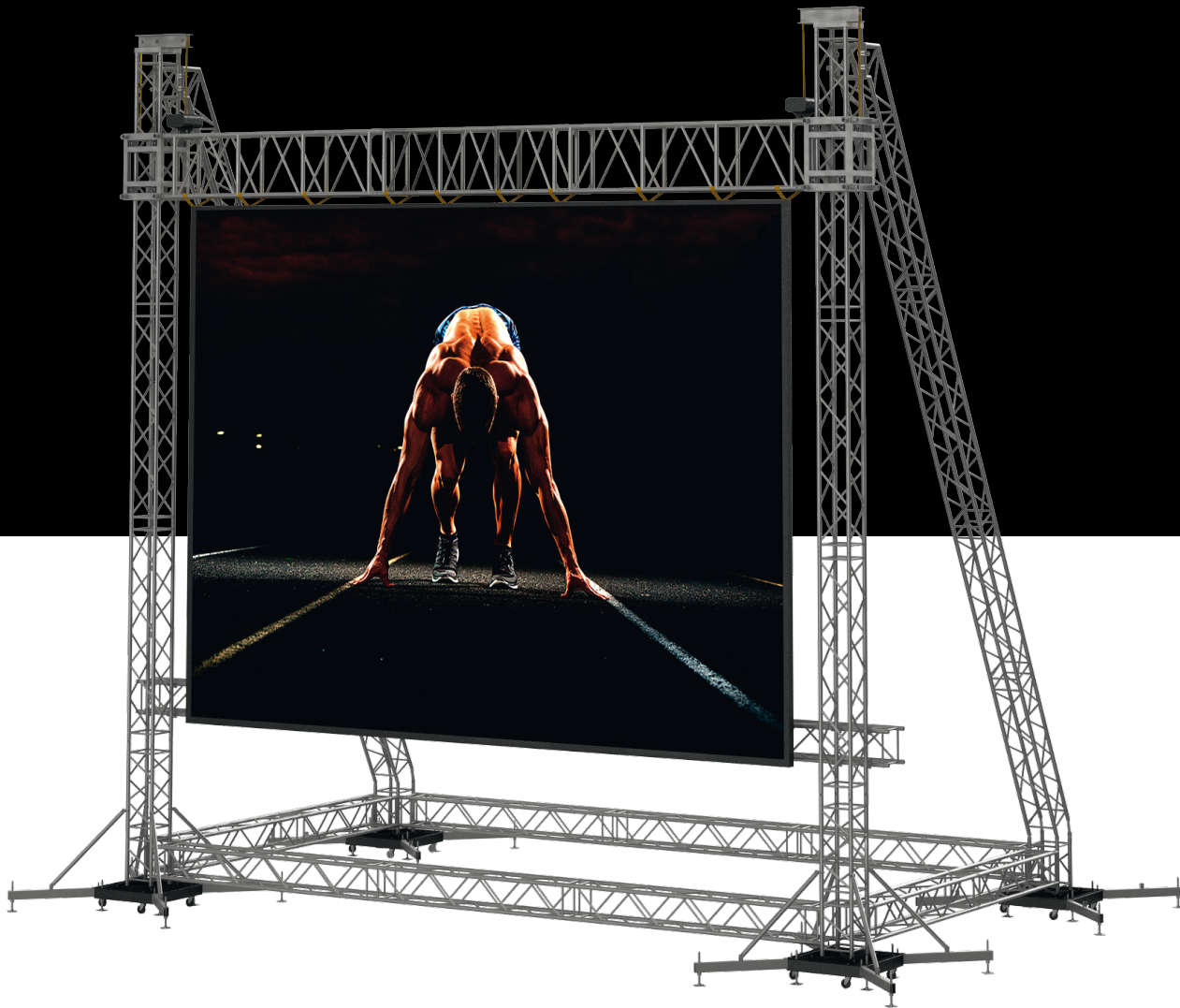
LED frame 6x4m

LED frame 6x4m is an easy and fast assembly system that can equip LED screen of 6x4m (19,7x13,1ft) with maximum weight of 2000kg (4410lb). The LED frame is built up from FT44 and TT54 trussing segments.

SPECIFICATIONS

Max. dimension	8.25x5.72m (27.1x18.8ft)
Max. LED size	6x4m (19.7x13.1ft)
Max. Height	9m (29.5ft)
Max. load capacity	2000kg (4410lb)
Total weight of construction	850kg (1874lb)



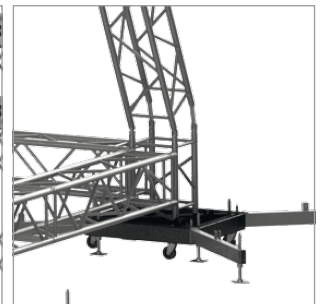
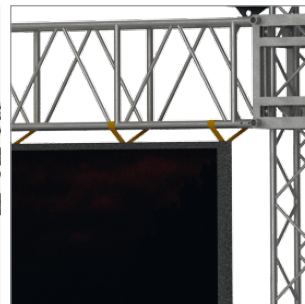
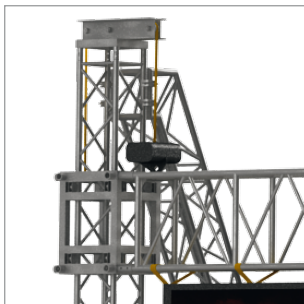


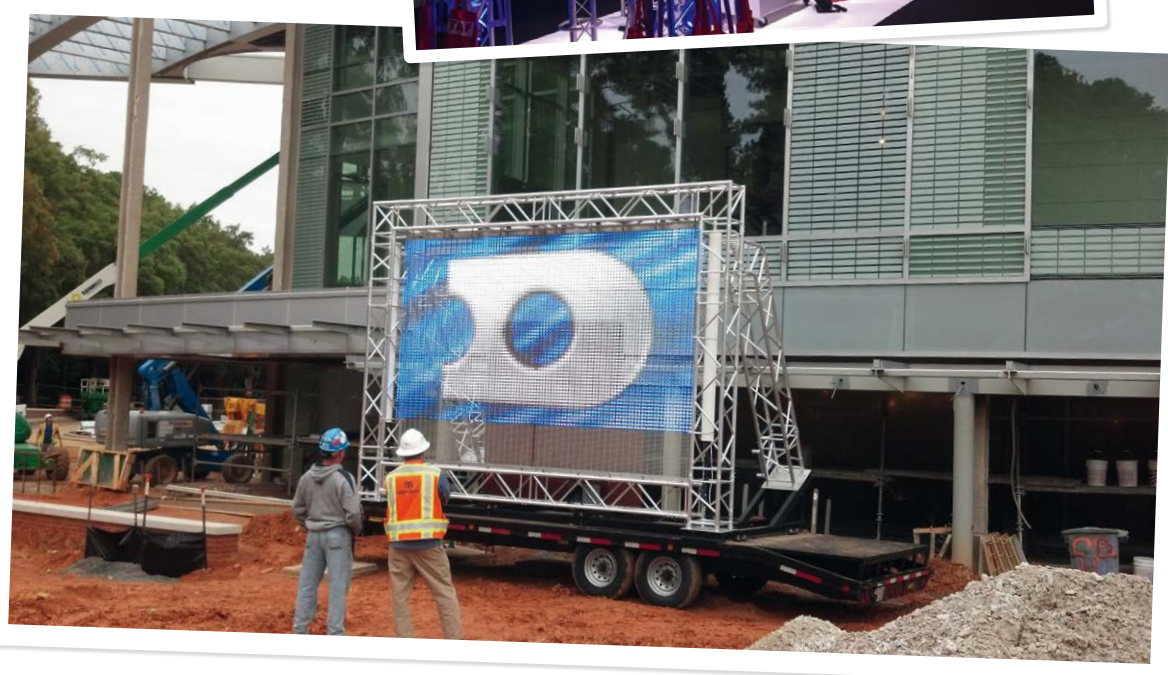
LED frame 8x6m

LED frame 6x4m is an easy and fast assembly system that can equip LED screen of 8x6m (26,2x19,7ft) with maximum weight of 3000kg (6615lb). The LED frame is built up from FT44 and TT74 trussing segments and the max.lifting hewight is ca. 8,6m (28ft)

SPECIFICATIONS

Max. dimension	12,3x8,2m (40,4x26,9ft)
Max. LED size	8x6m (26,2x19,7ft)
Max. Height	10,2m (33,5ft)
Max. load capacity	3000kg (6615lb)
Total weight of construction	1200kg (2645lb)





LED
FRAMES

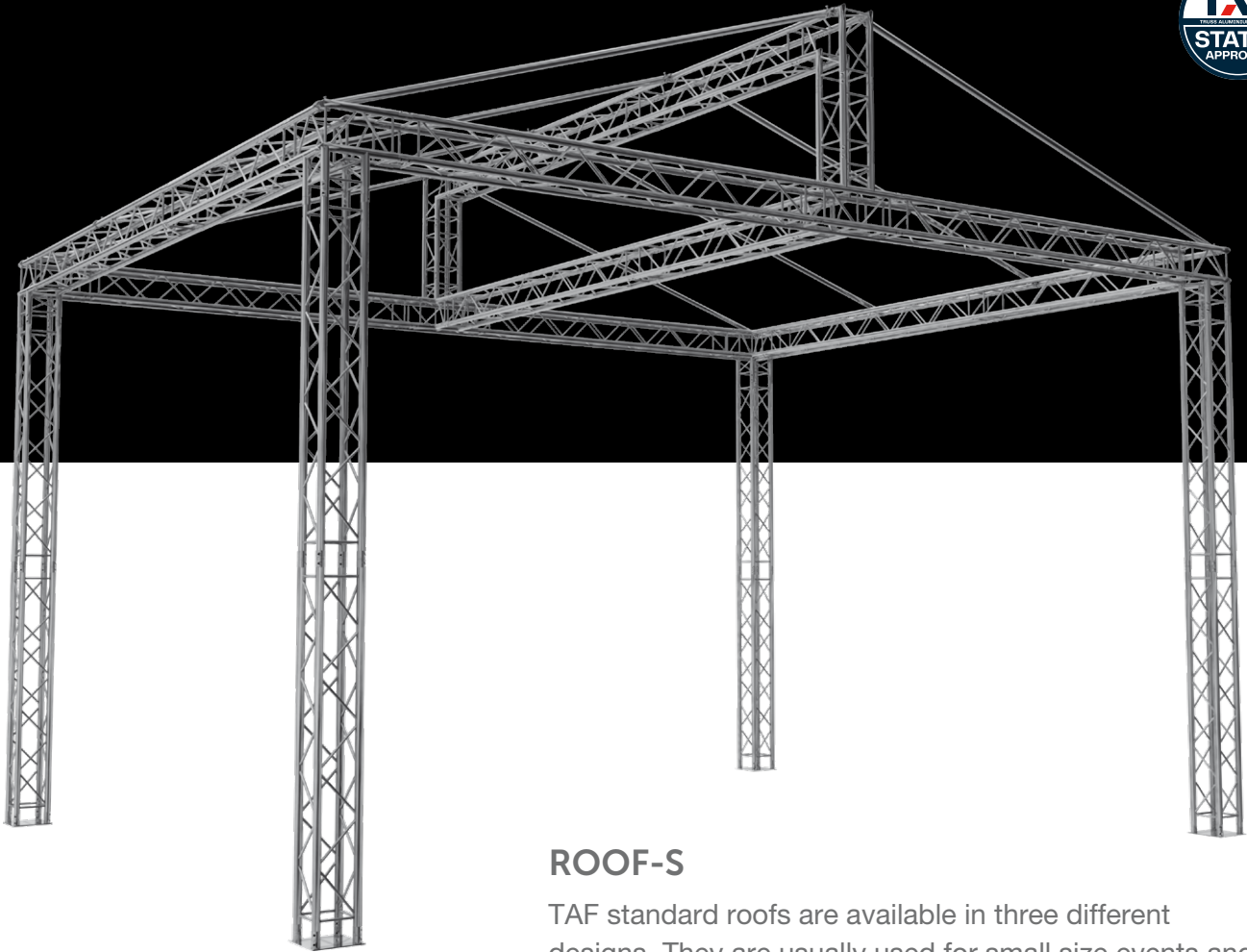


ROOFS

TAF offers wide range of roofing systems designed to fit events of basically any size. The great variety of roof systems dimensions and designs grants you a freedom of choice.

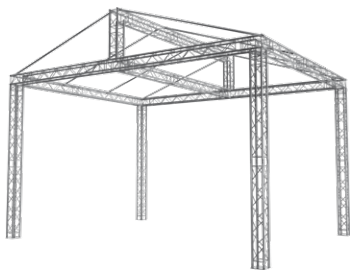


ROOF STANDARD



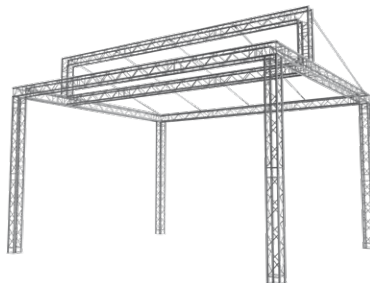
ROOF-S

TAF standard roofs are available in three different designs. They are usually used for small size events and their greatest advantages are fast and easy assembly together with the fact that they are built from standard quicklock line pieces which can be later on used to build up any other design.



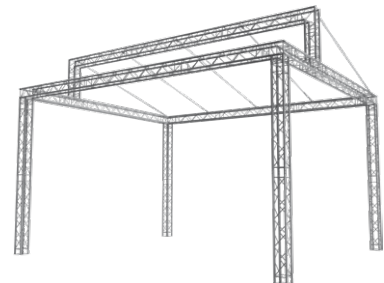
RST1

Roof standard 7x5m
(22.5x17.5ft)



RST2

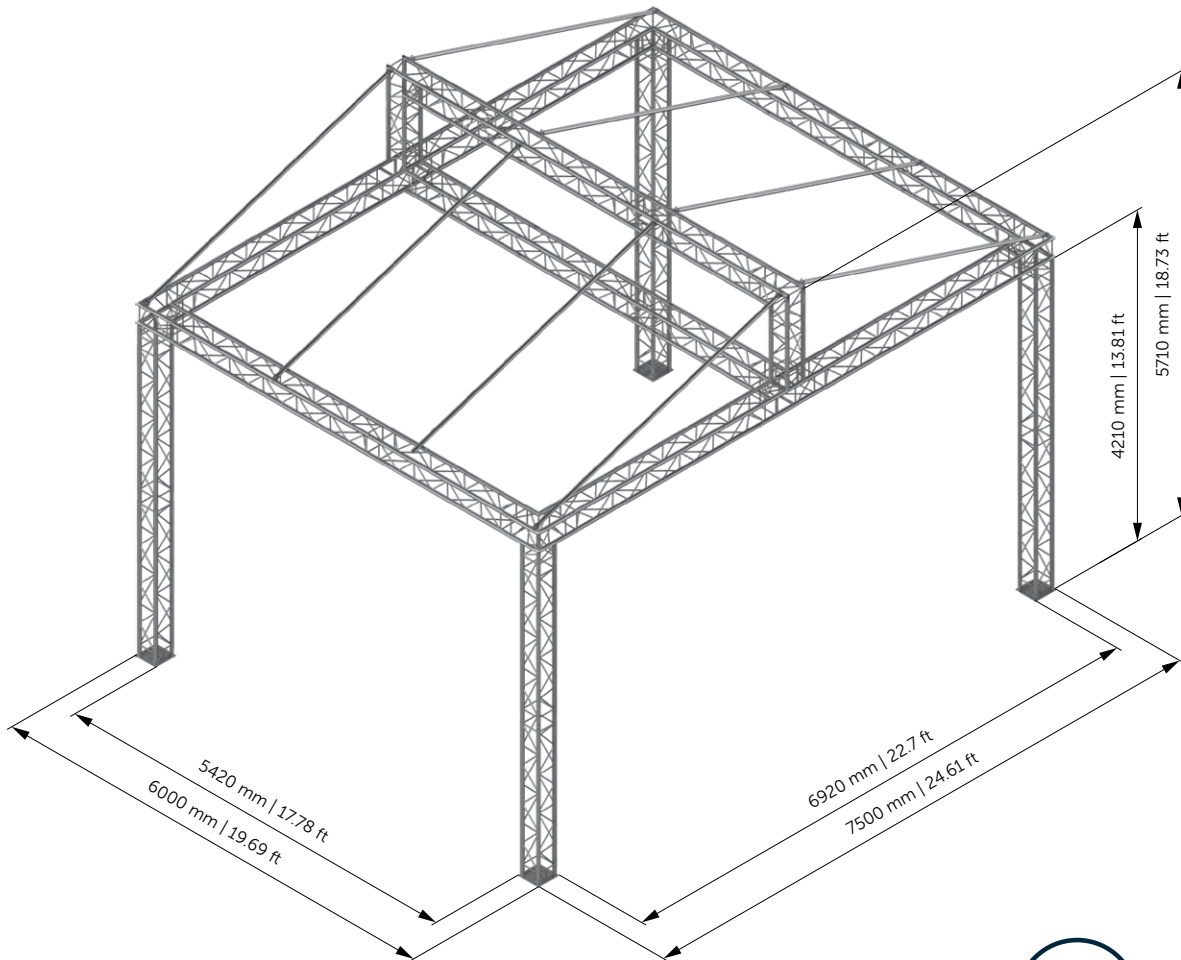
Roof standard 7x6m (22.5x20ft)



RST3

Roof standard 7x6m (22.5x20ft)

SIZE



ROOFS



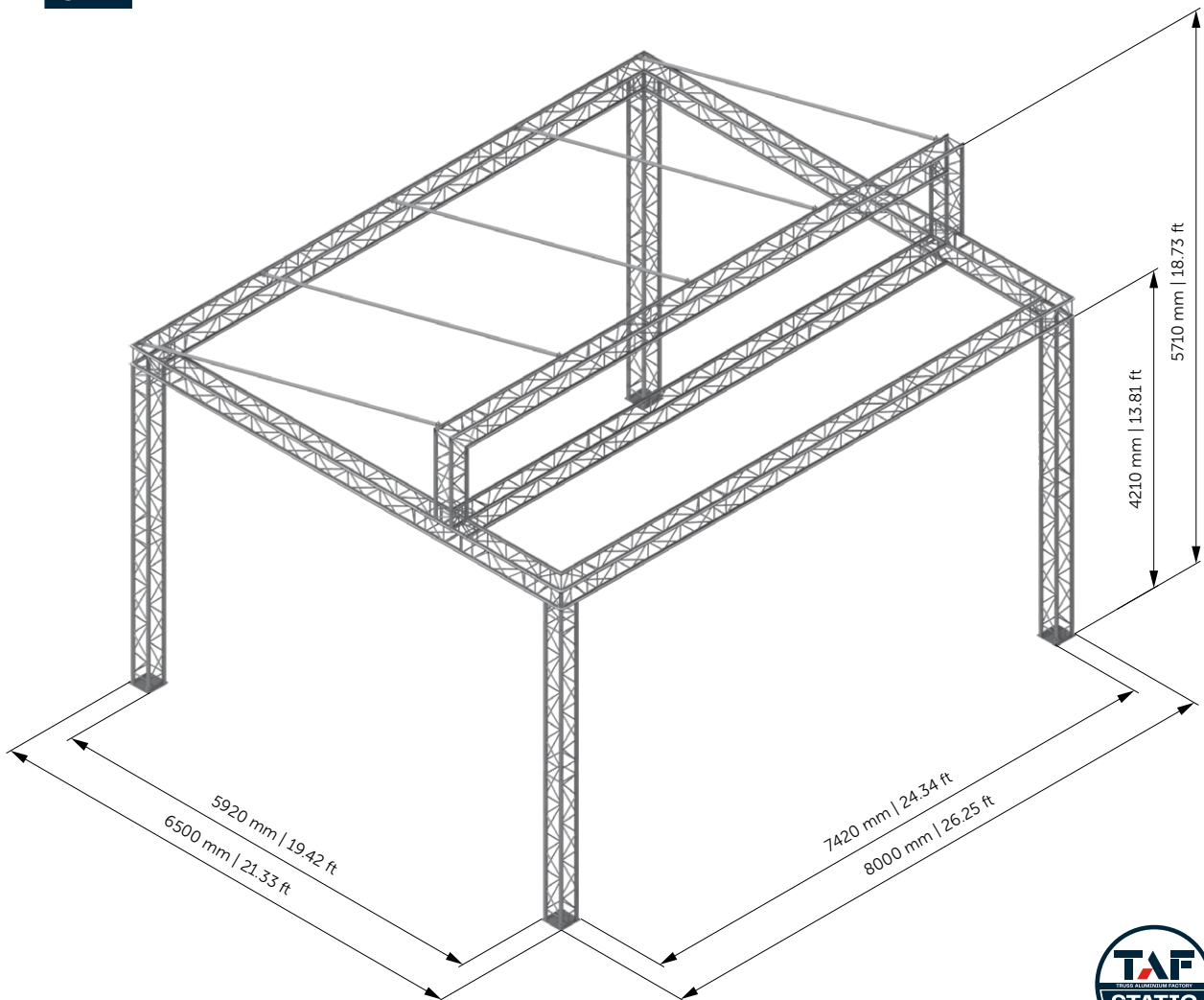
PART LIST

Type	Quantity
FT34-50	2
FT34-100	8
FT34-200	8
FT34-300	8
FT34-C21	2
FT34-C30	4
FT34-T42	2
#3004 (Base plate)	4
Roof bar RST	8

RST1

Roof standard 1 size – 7.5x5.7x6m (24.61x18.73x19.69ft). The most popular set up from our standard roof portfolio. It is a perfect option for small bands, smaller and middle size local events and various shows. Canopy is available on request.

SIZE



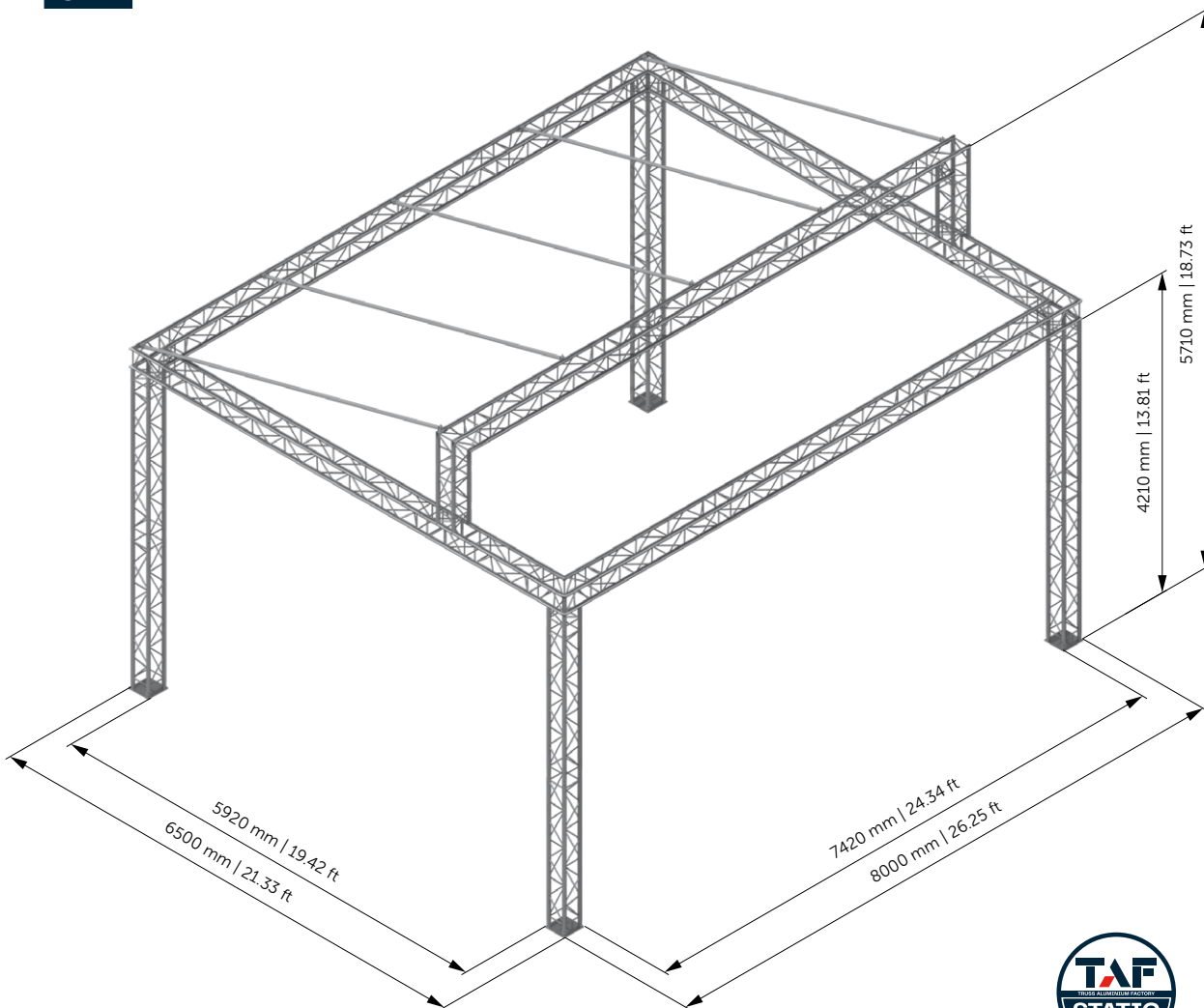
PART LIST

Type	Quantity
FT34-50	2
FT34-100	10
FT34-200	16
FT34-300	4
FT34-C21	2
FT34-C30	4
FT34-T42	2
#3004 (Base plate)	4
Roof bar RST	5

RST2

Roof standard 2 size – 8x5.7x6.5m (26.25x18.73x21.33ft). Lighter version of TAF standard roof is very popular by smaller production groups focusing on small to medium size events including concerts, fashion shows and various performances. Canopy is available on request.

SIZE



ROOFS



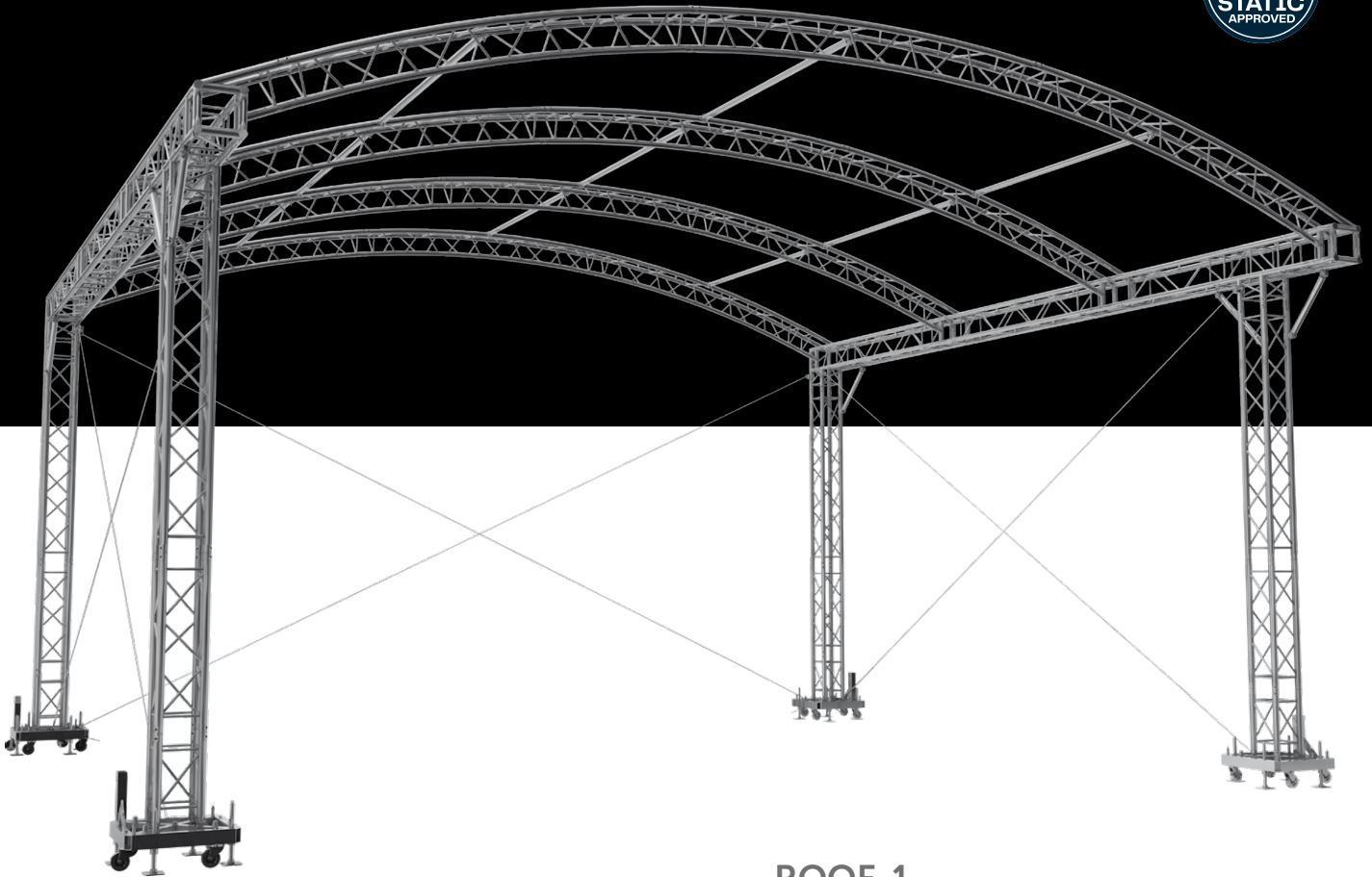
PART LIST

Type	Quantity
FT34-50	2
FT34-100	10
FT34-200	14
FT34-300	3
FT34-C21	2
FT34-C30	4
FT34-T35	2
#3004 (Base plate)	4
Roof bar RST	5

RST3

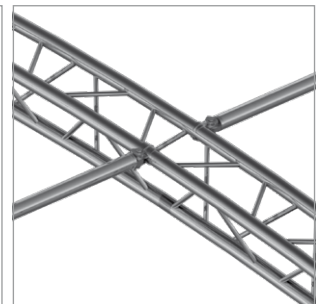
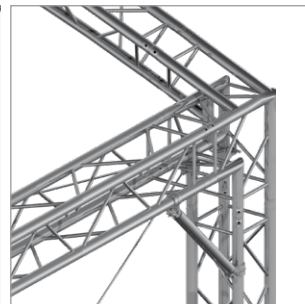
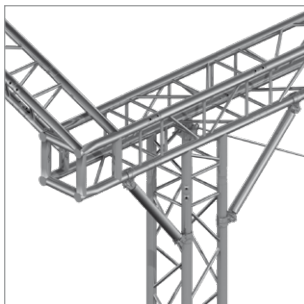
Roof standard 3 size – 8x5.7x6.5m (26.25x18.73x21.33ft). This standard roof has a very similar design to RST2 but there is no lower cross traverse, which makes this set up the most available one for low-cost events. Canopy is available on request.

ROOF 1

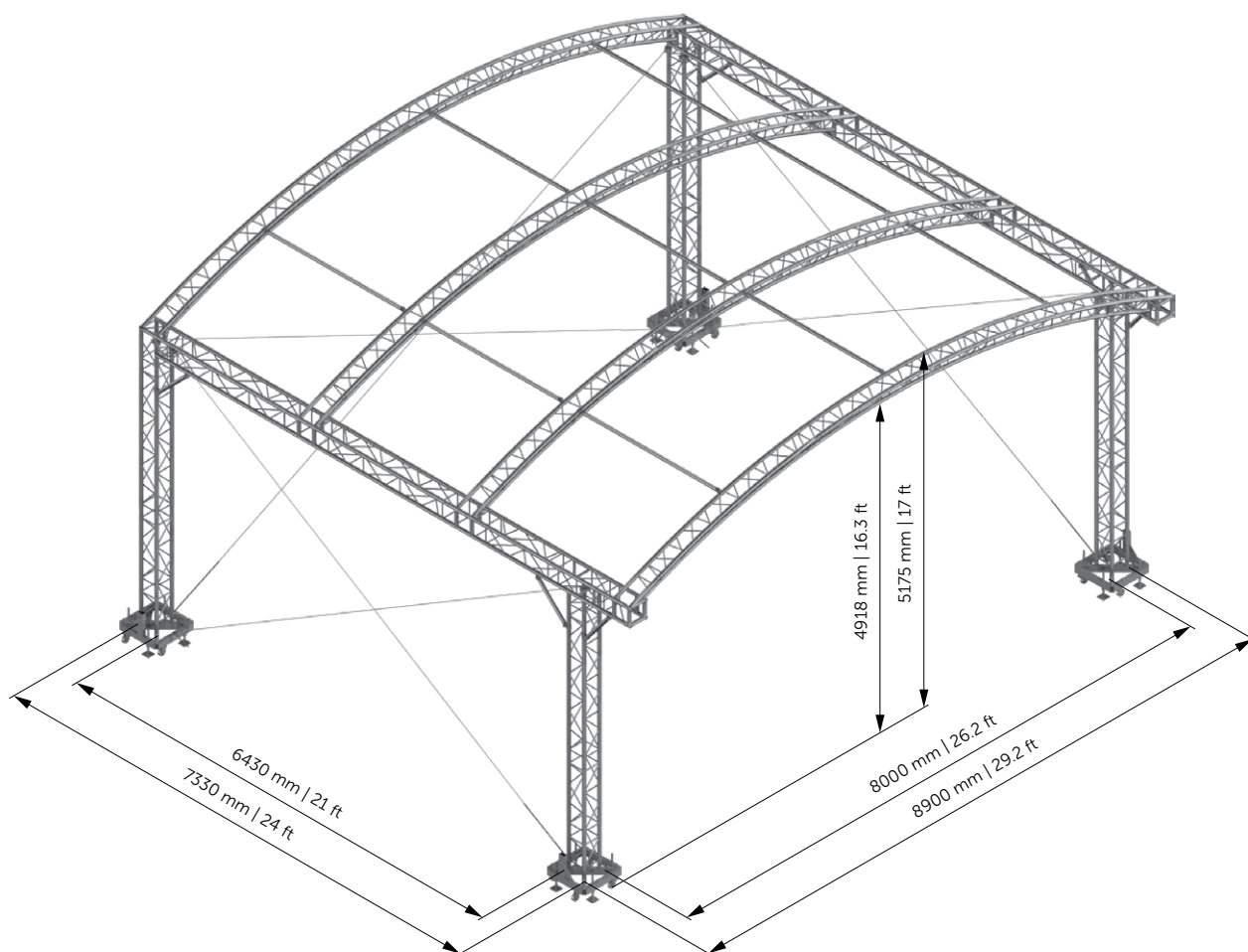


ROOF-1

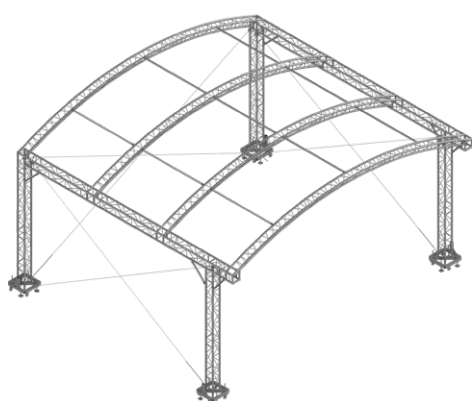
Roof 1 is an arch roof system designed to cover stage 8x6m (26x19.5ft). Its attractive look is great for small to middle size events such as concerts, fashion and entertainment shows, theatrical performances and many others. However, its design does not allow big loads to be placed on the structure.



SIZE



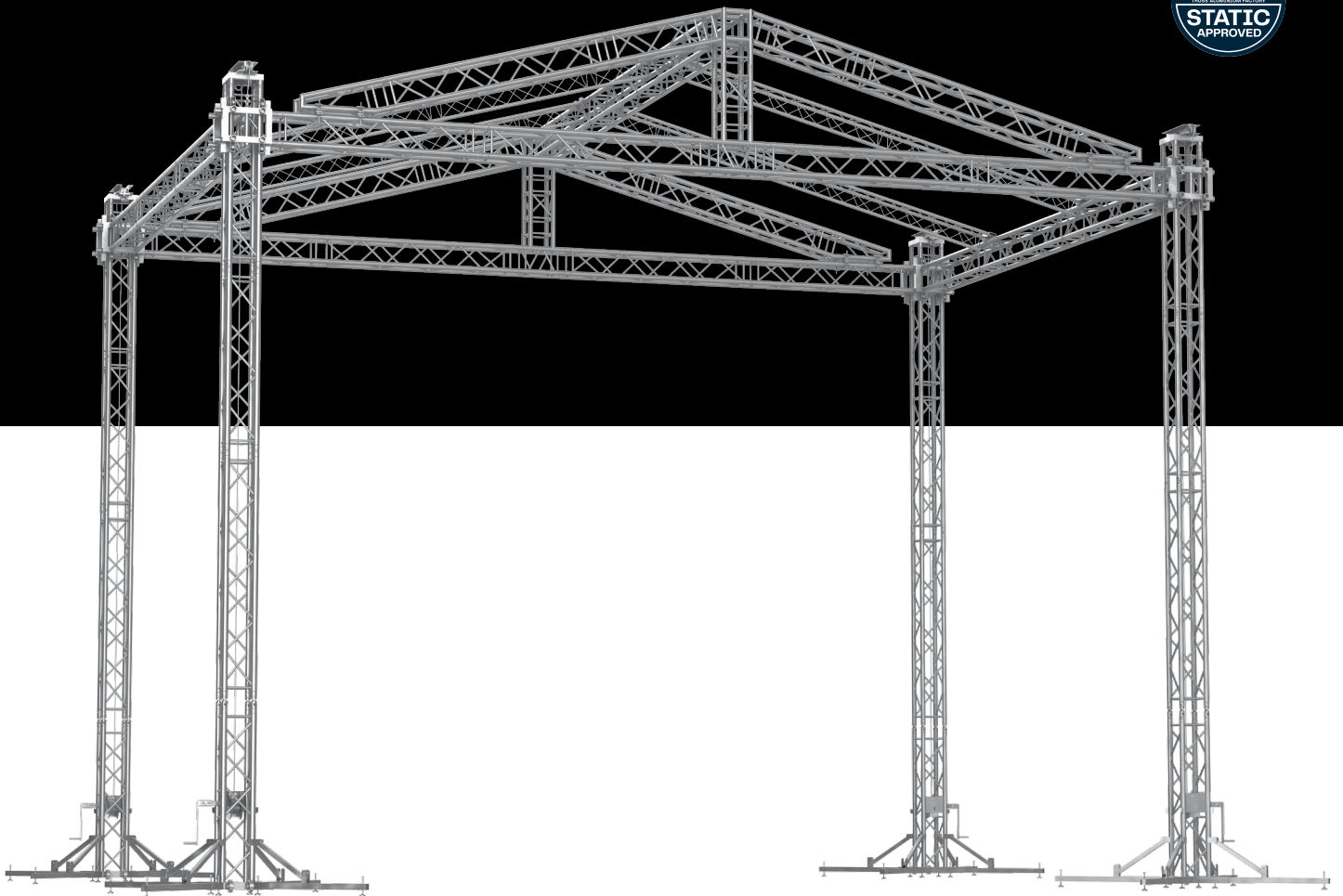
ROOFS



SPECIFICATIONS

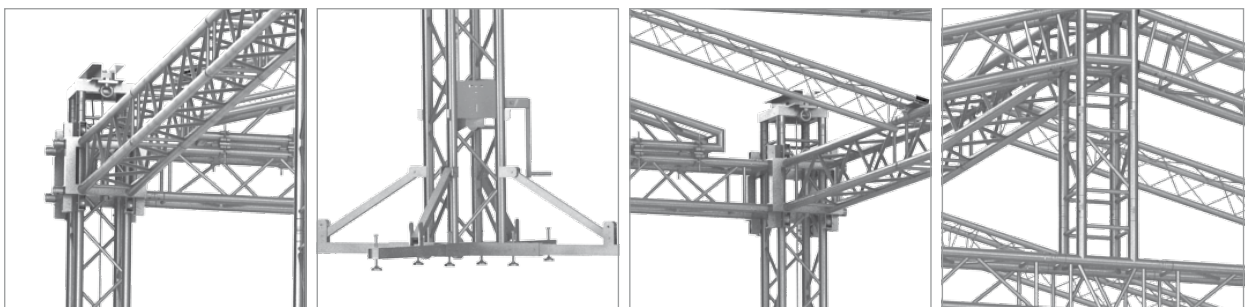
Max.dimension	8,9x7,4m (29x24ft)
Max.stage size	8,0x7,4m (26x19,7ft)
Max.clearance	4,9m (16ft)
Max.height	5,2m (17ft)
Max.load bearing capacity	800kg (1760lb)
Total weight of construction	570kg (1260lb)

ROOF 8x6x6,1m

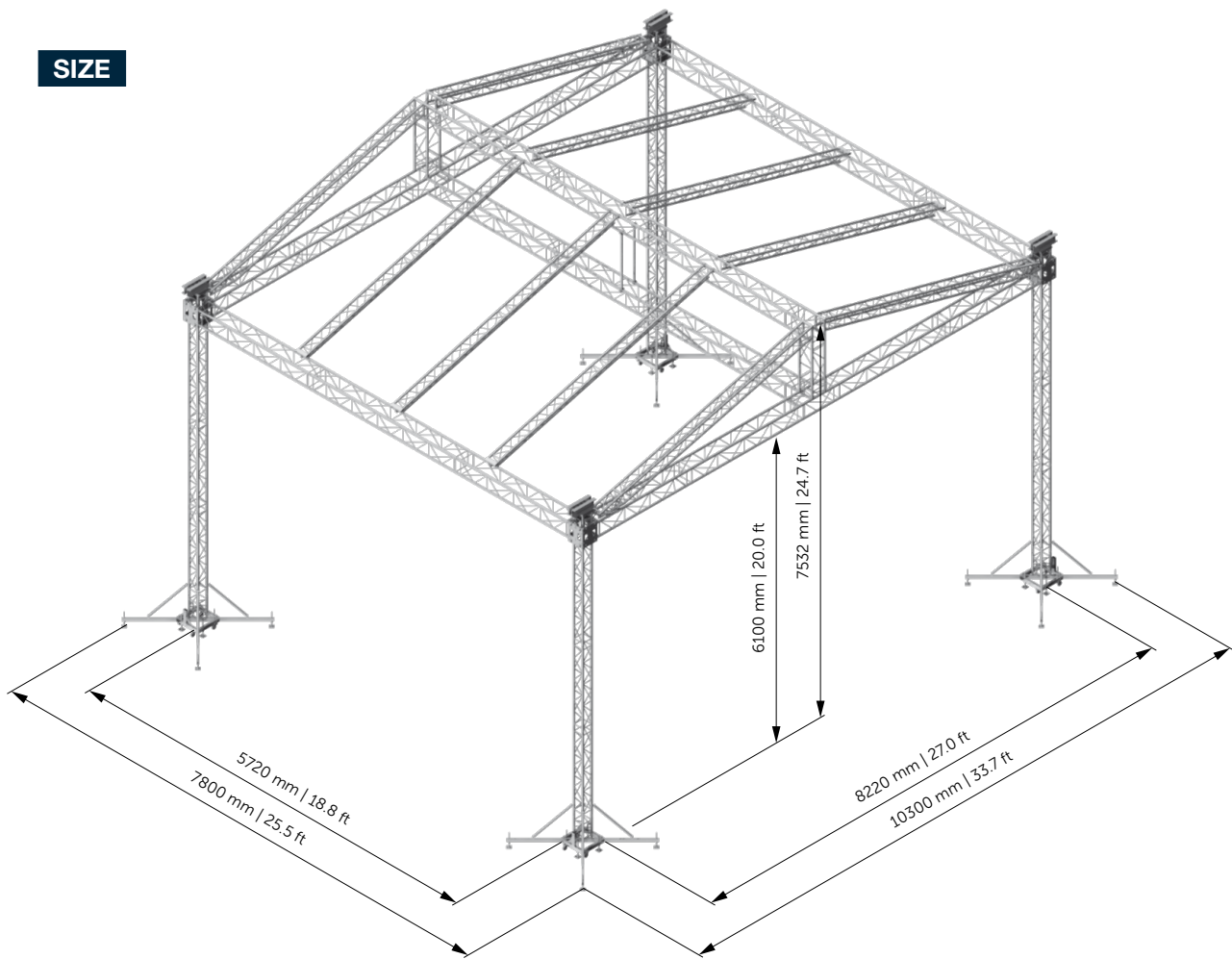


ROOF 8x6x6,1m

Gable Roof 8x6m is a great option if you need to cover smaller size events. It can bear decent load of 2000kg and the clearance of 6,1m gives you enough space for any lighting show. It is very easy to assemble as the columns are from Tower 05 which is a self-contained unit built up from HT34 truss.“



SIZE



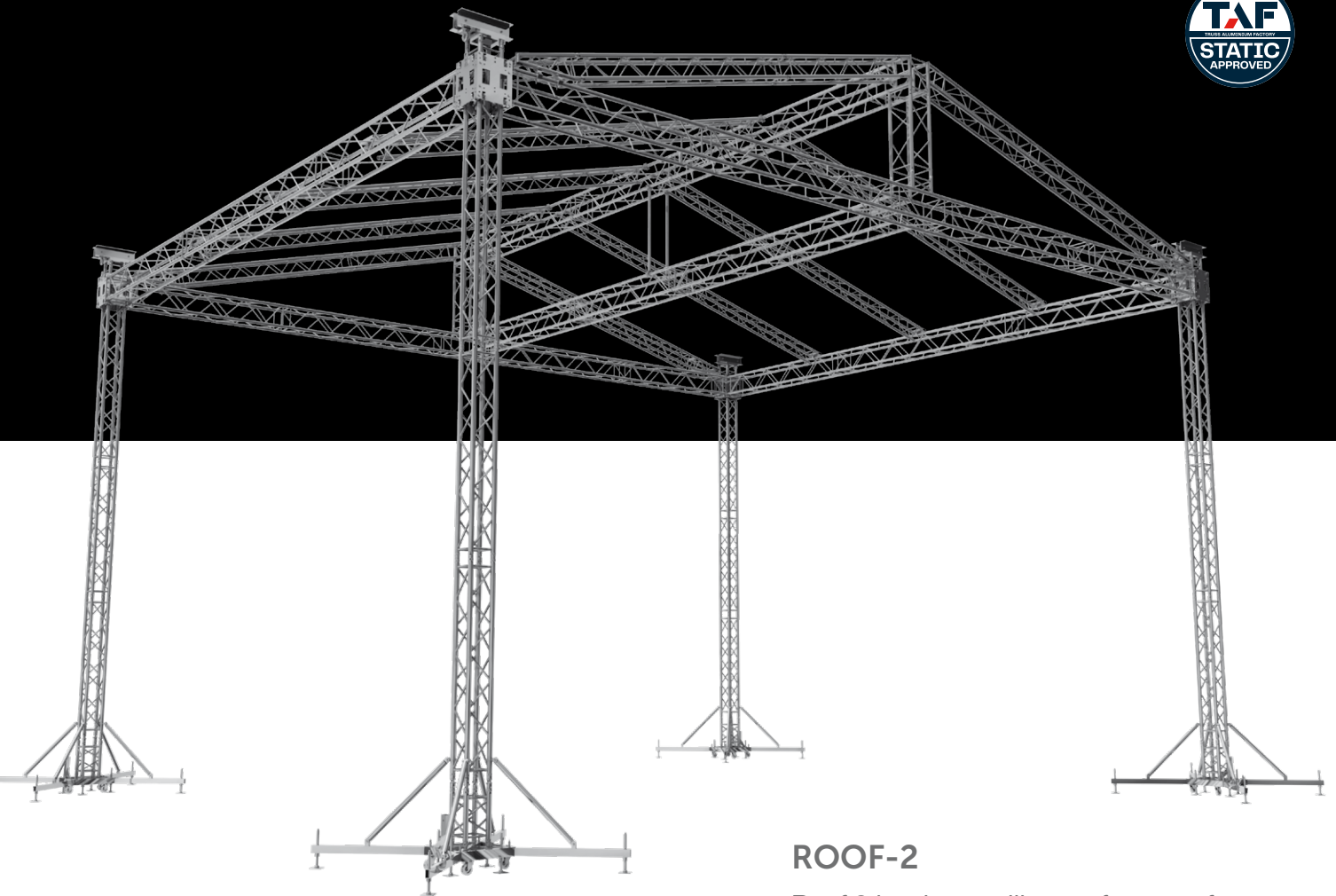
ROOFS

SPECIFICATIONS

Max. dimension	10,3x7,8m (33,7x25,5ft)
Max. stage size	8x6m (26,2x19,7ft)
Max. clearance	6,1m (20ft)
Max. Height	7,53m (24,7ft)
Max. load bearing capacity	2 000kg (4 410lb)
Total weight of construction	600kg (1323lb)

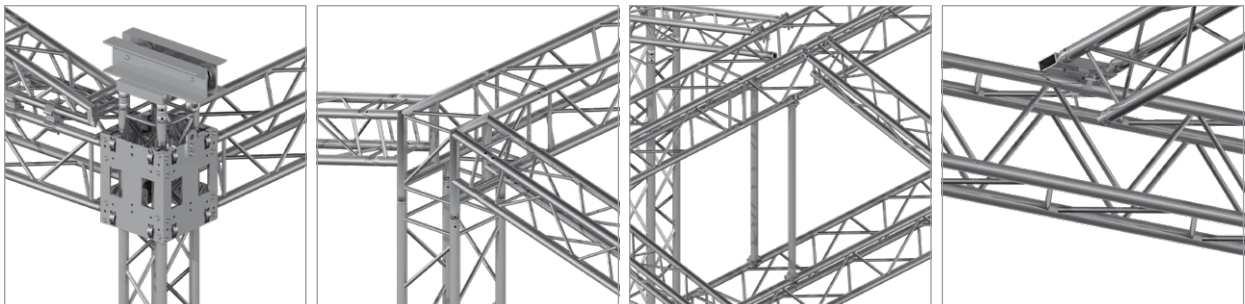


ROOF 2

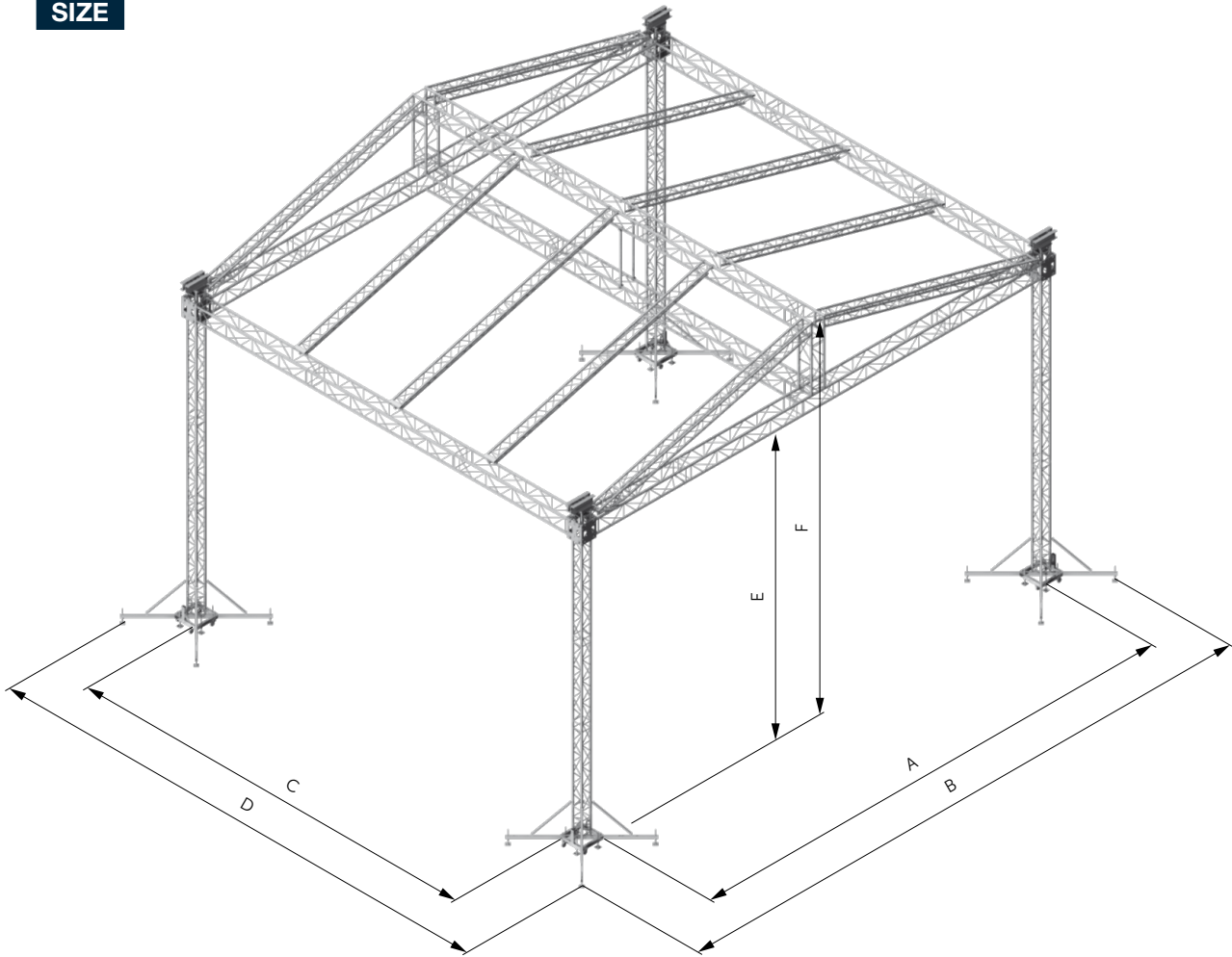


ROOF-2

Roof 2 is a best selling roof system from our portfolio. The structure is available in three different sizes covering the following stages 12x10m (39x32.5ft), 10x8m (32.5x26ft) and 8x6m (26x19.5ft). Its fast and easy assembly makes Roof 2 a great choice for almost any kind of event.



SIZE



USED CONSTRUCTION SYSTEMS

Mast section	TT-34
Support truss	FT-44
Outside rafter	FT-34
Inside rafter	FT-33

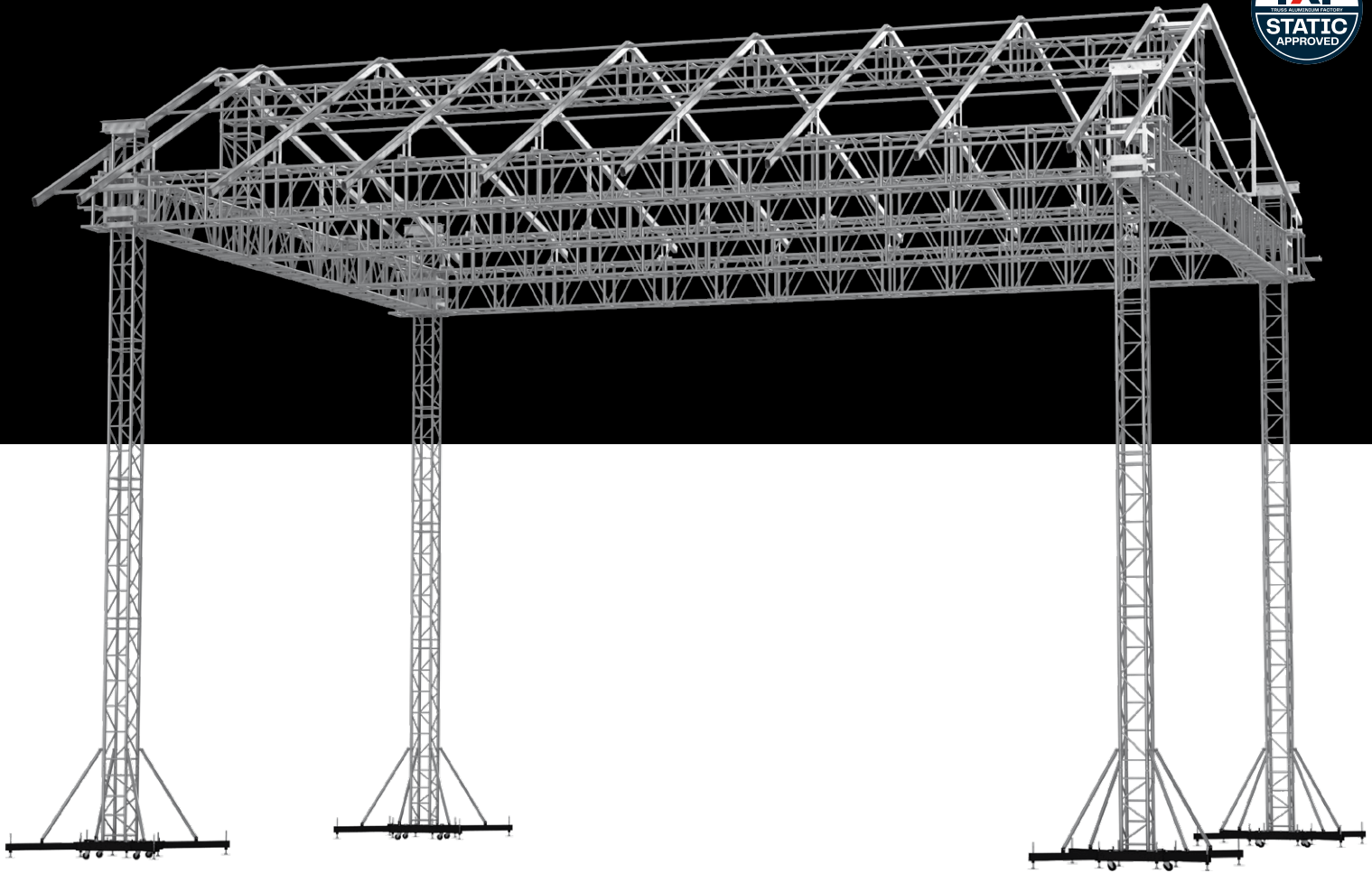
SPECIFICATIONS

Max.dimension	14,5x12,5m (47,6x41,0ft)
Max.stage size	12x10m (39,4x32,8ft)
Max.clearance	7,0m (23,9ft)
Max.height	9,1m (29,8ft)
Max.load bearing capacity	3500kg (7716lb)
Total weight of construction	2000kg (4409lb)

STAGE MEASUREMENTS

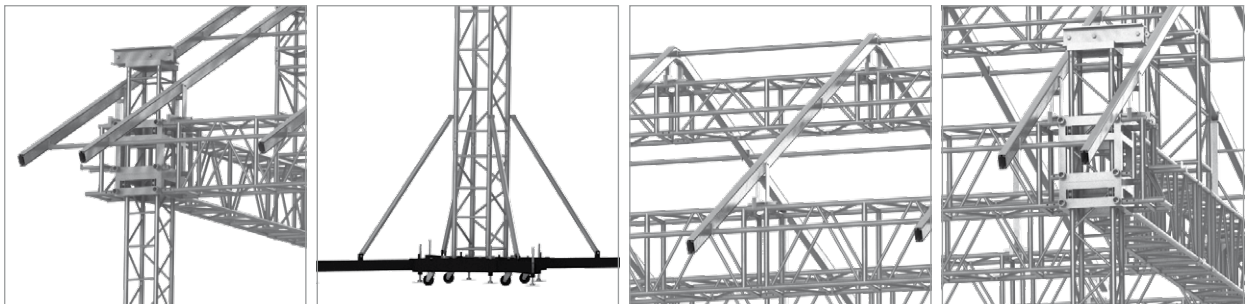
	Inside width	Overall width	Inside depth	Overall depth	Clearance	Height
	A	B	C	D	E	F
8x6 m (26,25x19,69ft)	8030mm (26,35ft)	10500mm (34,45ft)	6030mm (19,78ft)	8500mm (27,89ft)	7000mm (22,97ft)	8567mm (28,11ft)
10x8 m (32,81x26,25ft)	10030mm (32,91ft)	12500mm (41,01ft)	8030mm (26,35ft)	10500mm (34,45ft)	7000mm (22,97ft)	8830mm (28,97ft)
12x10 m (39,37x32,81ft)	12030mm (39,47ft)	14500mm (47,27ft)	10030mm (32,91ft)	12500mm (41,01ft)	7000mm (22,97ft)	9086mm (29,81ft)

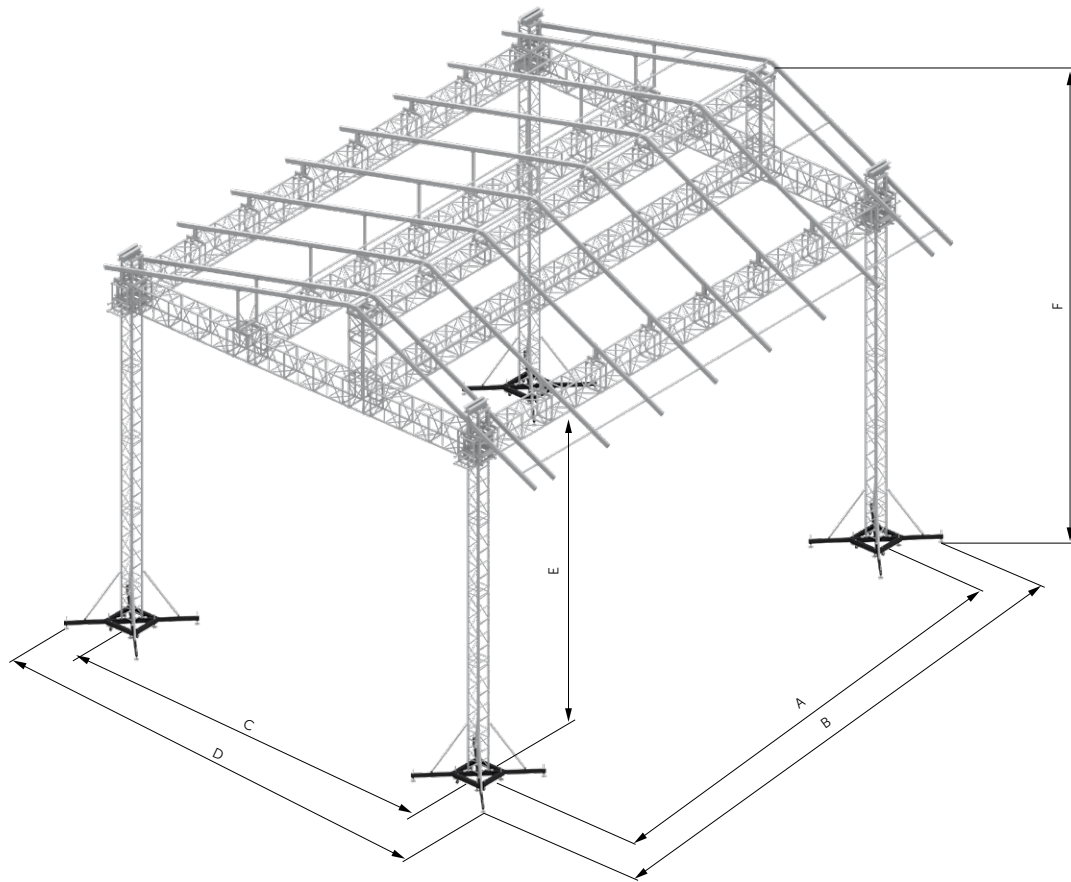
ROOF 14x10x9m KD



ROOF 14x10x9m KD

Keder profile top roofs are very popular systems in rental business. TAF keder roof 14x10x9m (45.9x32.8ft) can bear up to 5000kg (11023lb) and covers the stage of 14x10m size. The keder top is a lightweight solution for covering the stage by canopy stripes. The overall design of the roof is ready for accommodating as many lights and sound systems as you need.




USED CONSTRUCTION SYSTEMS

Mast section	TT-44
Support truss	TT-74
Rafter	Keder Profile

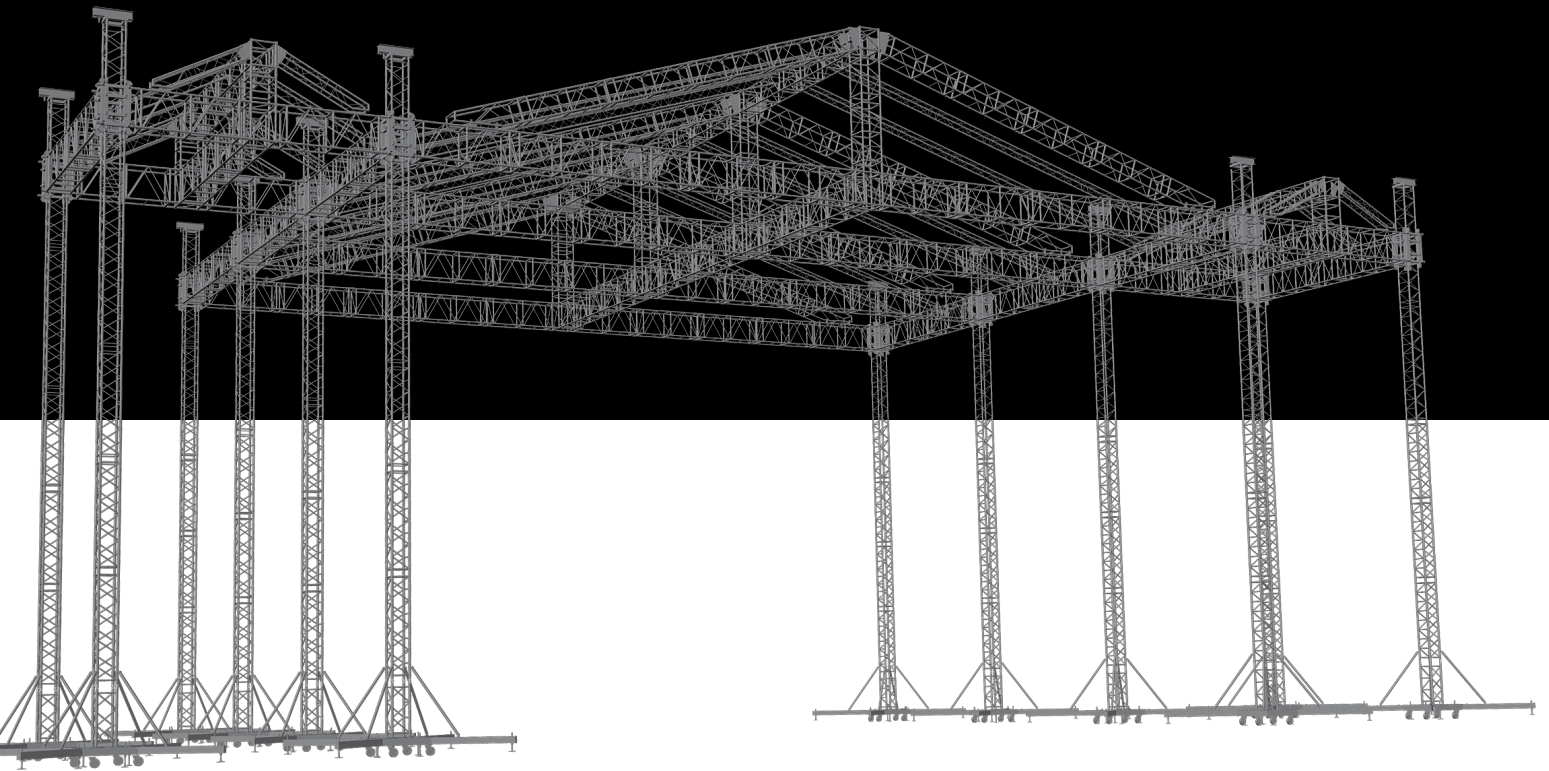
SPECIFICATIONS

Max. dimension	17,0x13,4m (55,9x44,0ft)
Max. stage size	14x10m (45,9x32,8ft)
Max. clearance	9,0m (29,5ft)
Max. height	12,0m (39,5ft)
Max. load bearing capacity	5000kg (11023lb)
Total weight of construction	4100kg (9039lb)

STAGE MEASUREMENTS

	Inside width	Overall width	Inside depth	Overall depth	Clearance	Height
	A	B	C	D	E	F
14x10 m (45,93x32,81ft)	14290mm (46,9ft)	17040mm (55,9ft)	10670mm (35,0ft)	13420mm (44,0ft)	9000mm (29,5ft)	12030mm (39,5ft)

ROOF 3

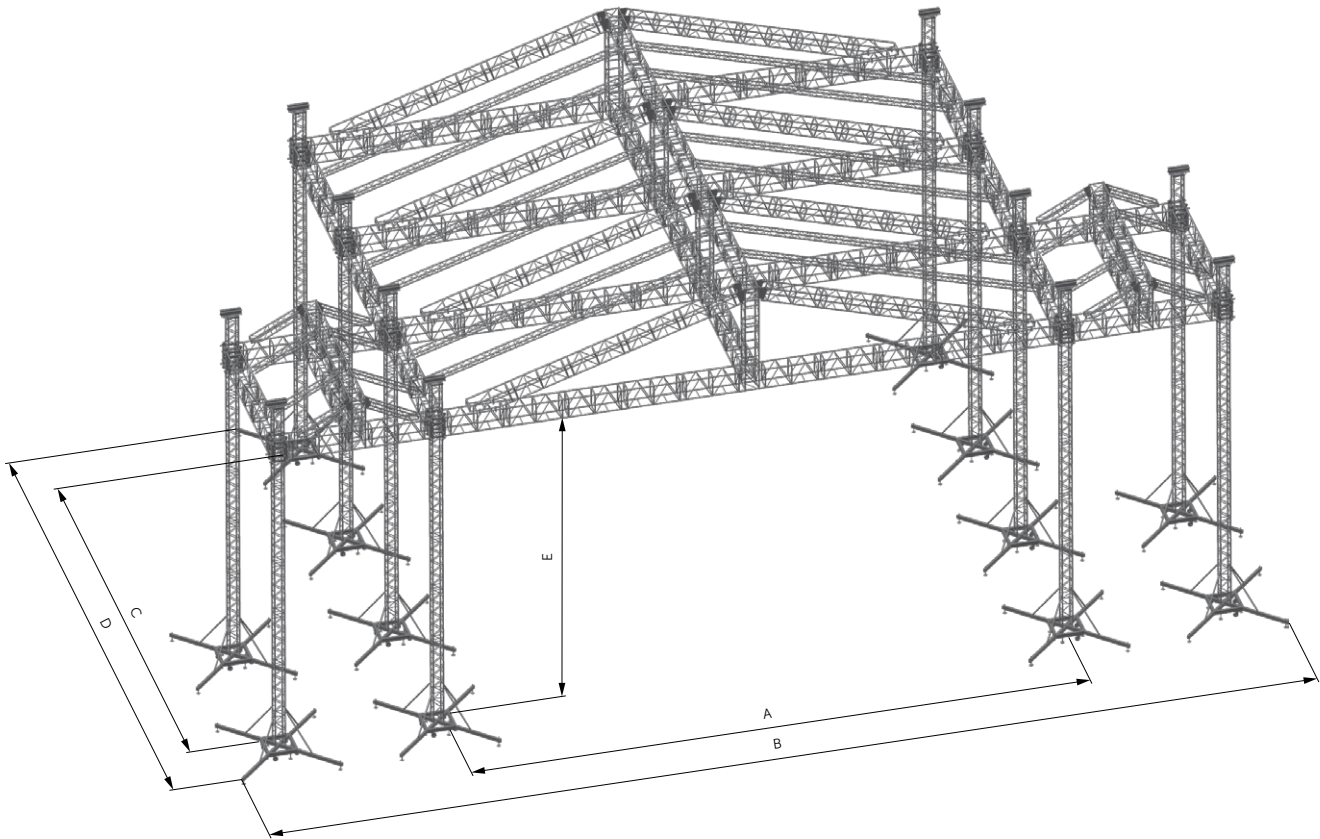


ROOF-3

Roof 3 is the largest one in TAF production. It can cover area from 120 sq.meters to 320 sq.meters depending on the customers request. The roof comes fully equipped by canopies, guy wires, static calculation and manual. Covering max. stage size of 21x16.5m (68.5x52ft).

There are also other possibilities to build larger roofs of similar design. We have also a lot of experiences with Kedr profile roof systems and merging of the two options, i.e. aluminium truss and Kedr profiles. The custom projects are always welcome and our technical department can provide you with full support.

SIZE



USED CONSTRUCTION SYSTEMS

Mast section	TT-44
Support truss	TT-74, TT-54
Outside rafter	FT-44
Inside rafter	FT-43

SPECIFICATIONS

Max.dimension	34x20m (111,5x65,6ft)
Max.stage size	21x16,5m (68,9x64,1ft)
Max.clearance	11,5m (37,7ft)
Max.height	15,5m (50,8ft)
Max.load bearing capacity	12500kg (27 558lb)

STAGE MEASUREMENTS

	Inside width	Overall width	Inside depth	Overall depth	Clearance
	A	B	C	D	E
	21000mm (68,9ft)	34000mm (111,5ft)	16700mm (54,8ft)	20000mm (65,6ft)	11500mm (37,7ft)

TAF RIGGING MOTORS

supported by **STAGEMAKER**

SR1
SR2
SR5
SR10



INNOVATIONS

- Exclusive non-contact magnetic hoist positioning system as standard on most models.
- New Perfect Push concept, 5 pocket load wheel, fitted with 5 intermediate teeth. This innovative load wheel helps distribute the load over more of the chain, dramatically reducing chain wear, and also helps to provide a smooth and quiet flow of the chain through the hoist.
- Chainflux design, rear ejection chain guide system, provides a horizontal flow of the chain from the load wheel. This design, along with the high strength aluminum construction, allows for a more fluid flow of the chain into the chain bag and help reduce the risk of chain jamming
- Motor design provides consistent speeds when both fully loaded or unloaded
- Electrical components designed for "plug and play" connectivity
- Hoist body is powder coated with black, protective 70 µm paint, allowing it to perform under the most extreme conditions

IMPROVED ERGONOMICS

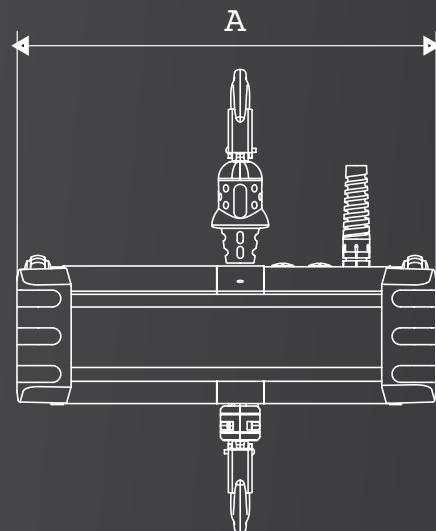
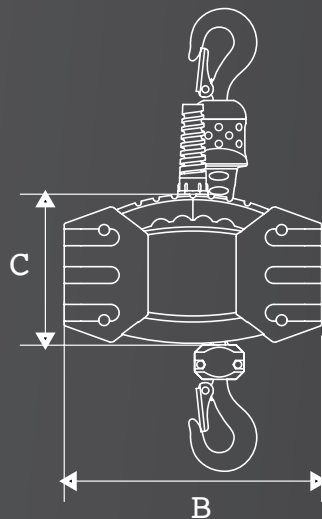
- Rubber buffers located on hoist corners provide added protection for the hoist
- Ergonomic concept of retractable, rubber clad handgrips, allow for easy transportation of the hoist
- Lifting hook has an ergonomic, rubber clad, gripping surface

TYPES OF CONTROL

Config A – Direct voltage control | Config B – 3 phrase with low voltage control | Config C – Encoder based hoists available

TECHNICAL CHARACTERISTICS

- IP 55 rated
- Complies with standards: CE and CSA
- Double brake and BGV-D8+ hoists available
- Maintenance free DC disk brake
- Hoist may be used in body up or body down position with no modification required
- Non contact magnetic positioning system standard on all Config B hoists
- Stromag geared limit switch available as option on all Config B hoists
- All Config B hoists equipped for encoder addition
- Black chain as standard with galvanized chain available
- ChainFlux MKII® specially designed chain guide
- New "Perfect Push®" 5 pocket load wheel with 5 intermediate guide teeth
- Plug and play electronics uses the same card for all SR hoists excluding SR01. One spare covers the entire range of hoists.
- Adjustable slip clutch located outside load path
- Available Power Supplies:
 - 208V/230V/3Ph/60Hz
 - 460V/3Ph/60Hz
 - 415V/3Ph/50Hz
- Black painted hoist body (RAL 7021)
- Rotating upper and lower hooks, fixed body hook, or safety latch hooks available
- Retractable, tuber clad handgrips
- Lifting hook with ergonomic, rubber clad, gripping surface
- High capacity, reversible chain bag
- Available Plugs:
 - CE type plugs (Config A, direct control hoist only)
 - 7 pin combined power and control
 - Dual Twist Lock
 - P14 combined power and control
 - L 14-20 available for local control



SPECIFICATIONS

Load Capacity	Model	Speed (n/min)	Speed (fpm)	Number of Falls	Chain Size	Dimensions						Hoist Weight (without chain)		Chain Weight	
						A	B	C				kg	lb	kg/m	lb/ft.
205 kg 1/4 ton	SR01 0410254	4	16	1	4 x 11	307	12,1	180	7,1	112	4,4	10,4	23	0,37	0,25
	SR02 0410255	4	16	1	4 x 11	478	18,8	264	10,4	150	5,9	20,1	44,3	0,37	0,25
	SR02 0810254	8	32	1	4 x 11	478	18,8	264	10,4	150	5,9	20,1	44,3	0,37	0,25
	SR05 1610254	16	64	1	5 x 14	472	18,6	297	11,7	174	6,8	29,6	65,3	0,57	0,39
500 kg 1/2 ton	SR01 0220250	2	8	2	4 x 11	307	12,1	180	7,1	112	4,4	10,4	23	0,57	0,39
	SR05 0410505	4	16	1	5 x 14	472	18,6	297	11,7	174	6,8	29,6	65,3	0,57	0,39
	SR05 0810504	8	32	1	5 x 14	472	18,6	297	11,7	174	6,8	29,6	65,3	0,57	0,39
	SR10 1610504	16	64	1	7 x 20	508	20	335	13,2	180	7,1	44,4	98	1,09	0,74
1000 kg 1 ton	SR10 0411004	4	16	1	7 x 20	508	20	335	13,2	180	7,1	44,4	98	1,09	0,74
	SR10 0811004	8	32	1	7 x 20	508	20	335	13,2	180	7,1	44,4	98	1,09	0,74
2000 kg 2 ton	SR10 0222004	2	8	2	7 x 20	508	20	335	13,2	180	7,1	44,4	98	2,2	1,48
	SR10 0422004	4	16	2	7 x 20	508	20	335	13,2	180	7,1	44,4	98	2,2	1,48

RIGGING ACCESSORIES

TAF also provides basic rigging accessories which are usually included in our roof system and tower system packages. We can supply any kind of rigging item necessary for aluminium truss structures operation including both manual and electrical chain hoists.



#6001-L-T

Clamping belt+ratchet
Various length (L)
Various tonnage (T)



#6002-L

Round sling 1000kg
Various length (L)



#6003-L

Round sling 2000kg
Various length (L)



#6004-L

Round sling 3000kg
Various length (L)



#6005

Shackle various loads 500, 1000,
1500, 2000kg



#6014

Tower 1 Erector



#6015

Tower 2 Erector



#6009

Handwinch + 15m steel rope



#6010-L-S

Steel rope
Various length (L)
Various diameter (S)



#6011

Chain hoist
1 ton with 10m chain



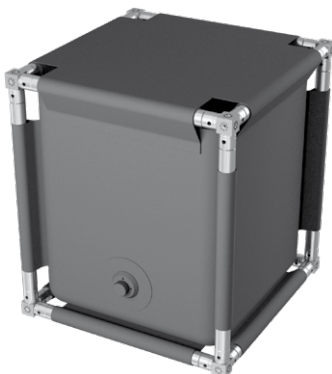
#6012

Chain hoist
1,5 ton with 10m chain



#6016

Spot Chair



#6017

Water Tank



TT SH

safety hook 1t

TT SH2

safety hook 2t

STAGES STH



STH stages represent an upgrade from our standard ST stages in many ways. They are rated for 750kg/m² (154lb/sqft) and carry desk with popular hexa anti-skidding surface. One of the main advantages of these stages is their weight, only 32kg (71lb), durability and easy assembly. Another very important feature of this desks is the ability to accommodate various types of legs – 48.3mm round, 50x50mm square and 60x60mm square all without changing the pressure cubes inside the corner.

750kg/m²
(154lb/sqft)



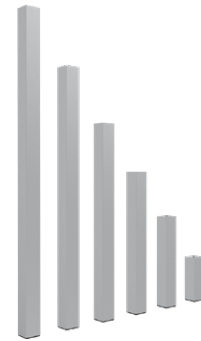
STH-1

Top: Black hexa plywood
Dimensions: 1x2m (3.28x6.56ft)
stage deck
Loading capacity: 750kg/m²
(154lb/sqft)
Weight: 32kg (71 lb)
Height: 9cm (3.54 inch)



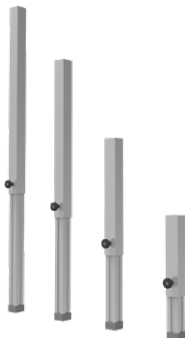
STH-2

Dimensions: 1x1m (3.28x3.28ft)
stage deck
Loading capacity: 750kg/m²
(154lb/sqft)
Weight: 16kg (35.27 lb)
Height: 9cm (3.54 inch)



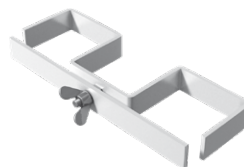
STH-L

Standard fixed leg for STH stages, available in 48x3mm (1.58x0.01inch) pipes or 50x50x3mm (1.97x1.97x0.01 inch) and 60x60x2mm (2.36x2.36x0.01 inch) square profiles.



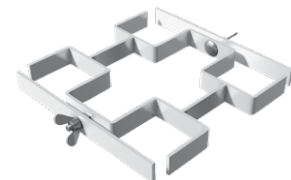
STH-L-T

Square telescopic legs for STH platforms in range 0.4m – 1.8m (1.31 – 3.28ft)



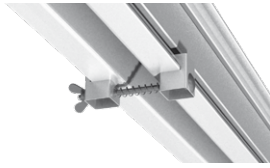
STH-ACC-1

Leg to leg connector for two legs



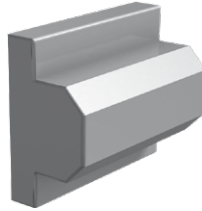
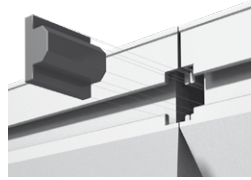
STH-ACC-2

Leg to leg connector for four legs



STH-CON

Deck to deck connector for strong and steady connection



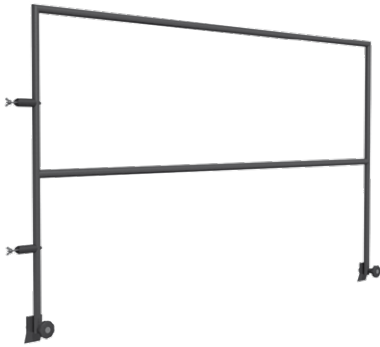
STH-ACC-4

Deck leveler



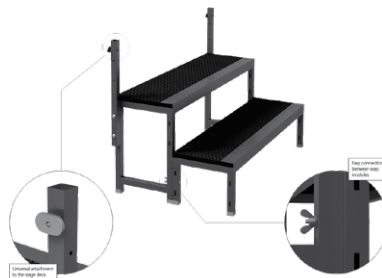
STH-RAIL-100

1m handrail for STH



STH-RAIL-200

2m handrail for STH



STH-STAIRS

Modular stairs 20cm (7.87inch), 40cm (1.31ft), 60cm (1.97ft), 80cm (2.63ft)



STH-RAIL-S

Handrail for stairs



STH-STAIRS/ADJ

STH adjustable stairs in various heights, range: 0.4 – 1.8m (1.31 – 3.28ft)



STH-RAIL/ADJ

Handrail for adjustable stairs

BARRIERS

TAF barriers are the right choice for controlling the crowd when necessary. The barriers are safety devices which can help you to manage the crowds at various types of events such as pop concerts, music festivals, political meetings etc.

The cable protectors can be used anywhere you want to provide protection for your cords and cables from walk-over pedestrian and car traffic.



BR1-B

Barrier Base



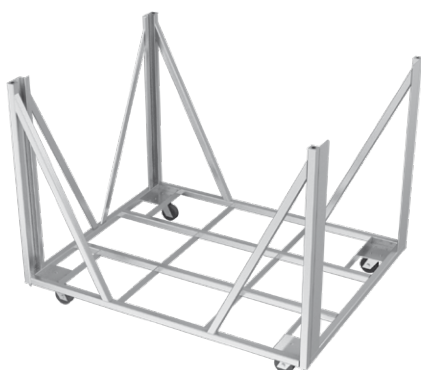
BR1-G

Barrier Gate



BR1-V

The Vario Corner gives you absolute flexibility in creating necessary barrier corners.



BR1-BOX-V

Barrier Dolly for Vario Corner



BR1-BOX-B

Barrier Dolly for Base & Gate

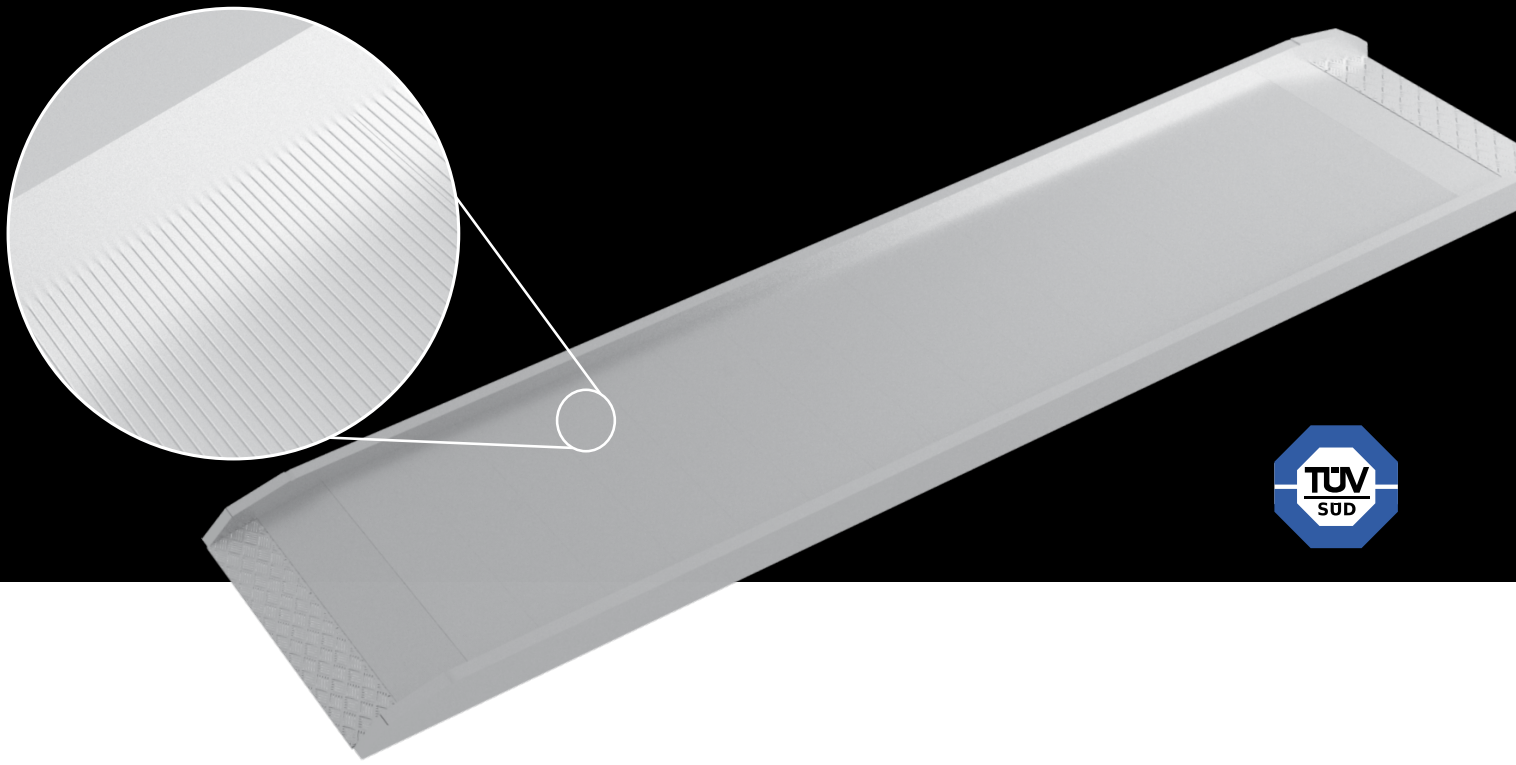


BR1-HA

Height Adapter for Barriers

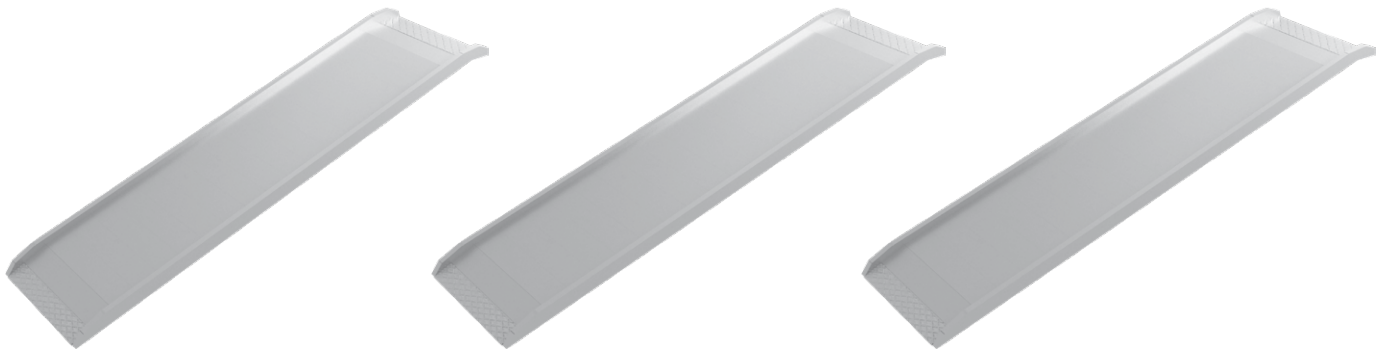


TRUCK RAMP



TAF offers a range of aluminium loading ramps for trucks, vans and other vehicles. We standardly produce ramps in the following width dimensions - 80cm (31.5"), 100cm (39.5") and 110cm (43.3"). The truck ramps sizes ,width and length, can be adjusted on request so everyone gets exactly what they need. TAF truck ramps are made of aluminium profiles specially designed to cope with high loads.





TR80 - 300
 80x300 cm (2.63x9.84 ft)

TR100 - 300
 100x300 cm (3.28x9.84 ft)

TR110 - 300
 110x300 cm (3.61x9.84 ft)

TR80 - 400
 80x400 cm (2.63x13.12 ft)

TR100 - 400
 100x400 cm (3.28x13.12 ft)

TR110 - 400
 110x400 cm (3.61x13.12 ft)

TR80 - 500
 80x500 cm (2.63x16.40 ft)

TR100 - 500
 100x500 cm (3.28x16.41 ft)

TR110 - 500
 110x500 cm (3.61x16.41 ft)

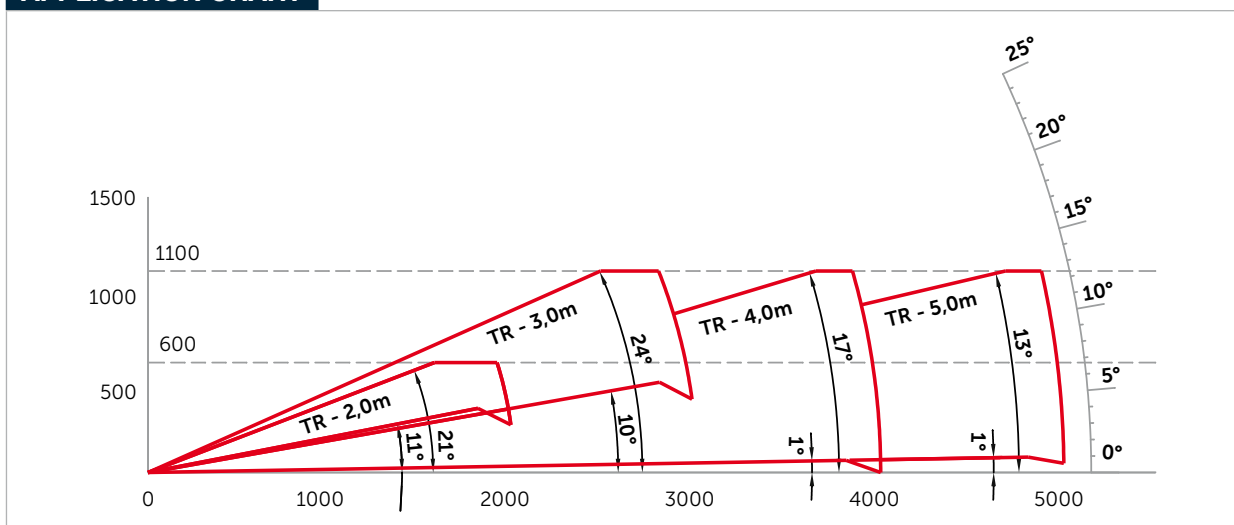
LOADING CHART

		Couple of Forces, ΣF [kN]			Single Force F [kN]		
		80	100	110	80	100	110
2 m	EL	8.46	5.95	5.17	4.76	3.81	3.46
3 m	EL	8.46	5.95	5.17	4.76	3.81	3.46
4 m	EL	8.46	5.95	5.17	4.76	3.81	3.46
5 m	EL	7.57*	5.95	5.17	4.75*	3.81	3.46

EL= Elastic Load Capacities

* decisive load is beam capacity (not grid)

APPLICATION CHART



TRUCK
RAMP

FURNITURE

TAF regularly produces three different types of bar stools and two types of round tables that you can see in this section. The TAF furniture is widely used in clubs, discos, bars and at trade shows.

There are also three standard types of shelves in our portfolio which can be used not only at exhibitions but also in shops, offices and many other spaces. The shelves are made from TAF standard FT32 trussing line. We also produce lecterns, a very popular item with speakers at various types of events.



#9001

Club style curved bar stool from aluminium profiles and high-quality pine wood is perfect for many occasions. They are widely used in bars, clubs, discos, exhibitions etc.



#9002

Straight standard style bar chair from aluminium profiles and high-quality pine wood represents a great option for both of the tables in our portfolio. It can be used at any occasion.



#9003

Classic straight bar chair from aluminium profiles and high-quality pine wood. Can be used basically anywhere, clubs, pubs, bars, pools, shows etc.



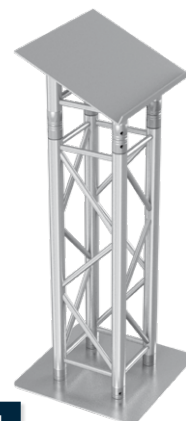
#9101

Club style bent table from aluminium profiles and high-quality pinewood. It is produced in two size types; height 0.5m(1.64ft) or 1m(3.30ft).



#9102

Classic style straight table from aluminium profiles and high-quality pinewood. It is produced in two size types; height 0.5m(1.64ft) or 1m(3.30ft).



#9401

Standard Lectern with Diamond Plate

#9401T

Diamond Plate Top



#9402

Lectern Double Leg with Wooden Top & Base



#9403

Lectern Single Leg with Wooden Top & Base



#9405

Lectern with Plexiglass

#9405T

Plexiglass Top



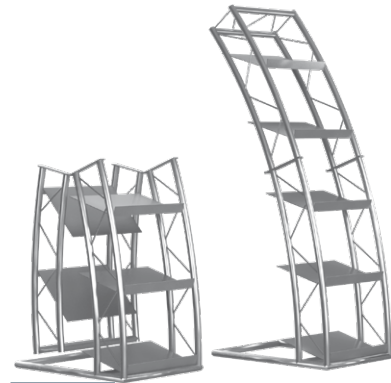
#9406

Lectern Curved with Diamond Plates



#9301

Catalogue stand fixed



#9303

Catalogue stand collapsible



#9304

Universal desk FT24/FT34



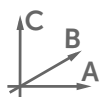
#9305

TV stand

DESIGN EVENTS



You can find several trade show designs in this section. We deliver them as complete exhibition booth packages. These designs show the huge flexibility and variability of TAF aluminium truss segments. Feel free to come up with your own ideas and contact us when ready for their realization.



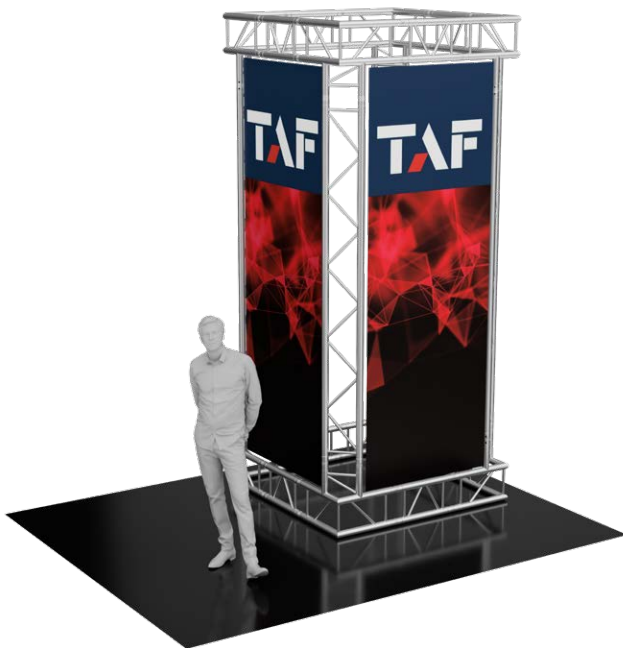
#5001

Display banner for any kind of promotion.
Quicklock line system: FT32 Dimensions:
2x2x2.5m (6.56x6.56x8.20ft)



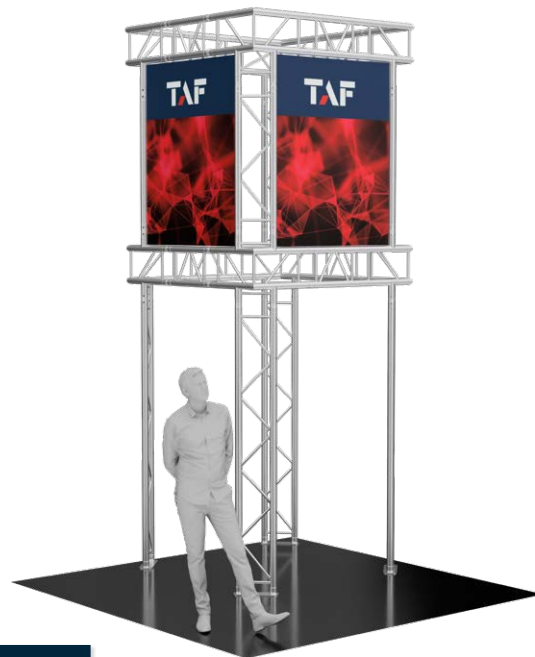
#5002

Rectangular banner with large promotion space.
Quicklock line system: FT32 Dimensions:
5x1.5x2.5m (16.40x4.92x8.20ft)



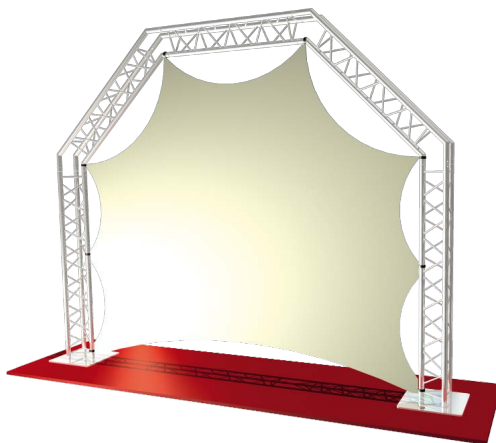
#5003

Simple banner set up great for smaller booths at shows and exhibitions. Quicklock line system: FT32 Dimensions: 1.5x1.5x3.5m (4.92x4.92x11.5ft)



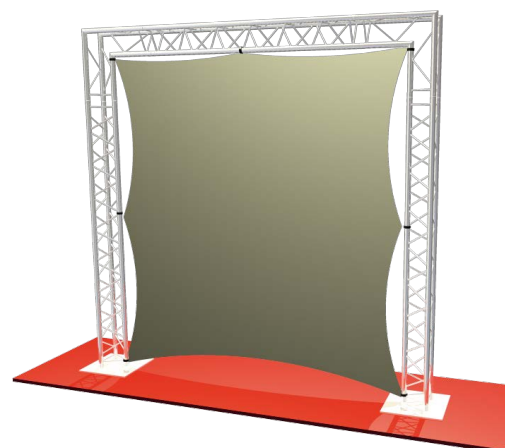
#5004

The tall banner is not only eye-catching but its design allows you to display your products as well. Quicklock line system: FT32 Dimensions: 1.5x1.5x4m (4.92x4.92x13.12ft)



#7040

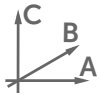
Large screen frame represents perfect projection wall for various occasions. Quicklock line system: FT23 Dimensions: 3x2.5m (9.84x8.20ft)



#7041

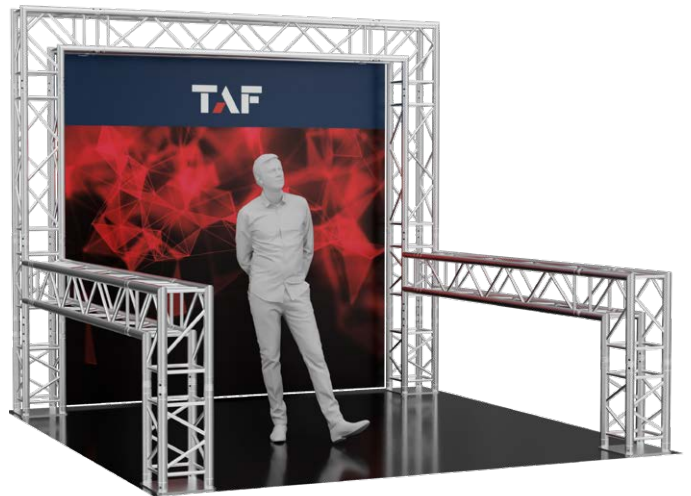
Standard size screen frame set up. Light and easy to assemble frame for various projections. Quicklock line system: FT23 Dimensions: 2.5x2.5m (8.2x8.2ft)

DESIGN EVENTS



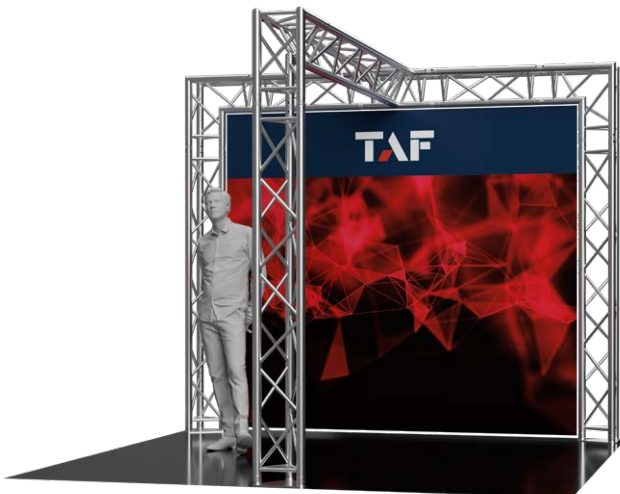
#7042

Single tube screen frame. Quicklock line system:
FT31 Dimensions: 2.5x2.5m (8.20x8.20ft)



#5101

Small size exhibit design Quicklock line system:
FT34 Dimensions: 3x3x2.6m (9.85x9.85x8.57ft)



#5102

Small size exhibit design Quicklock line system:
FT33 Dimensions: 2.92x3x2.5m (9.58x9.84x8.20ft)
Clearance: 2.25m (7.38ft)



#5103

Small exhibit design Quicklock line system: FT33
Dimensions: 2.92x3x2.5m (9.58x9.85x8.20ft)
Clearance: 2.25m (7.38ft)



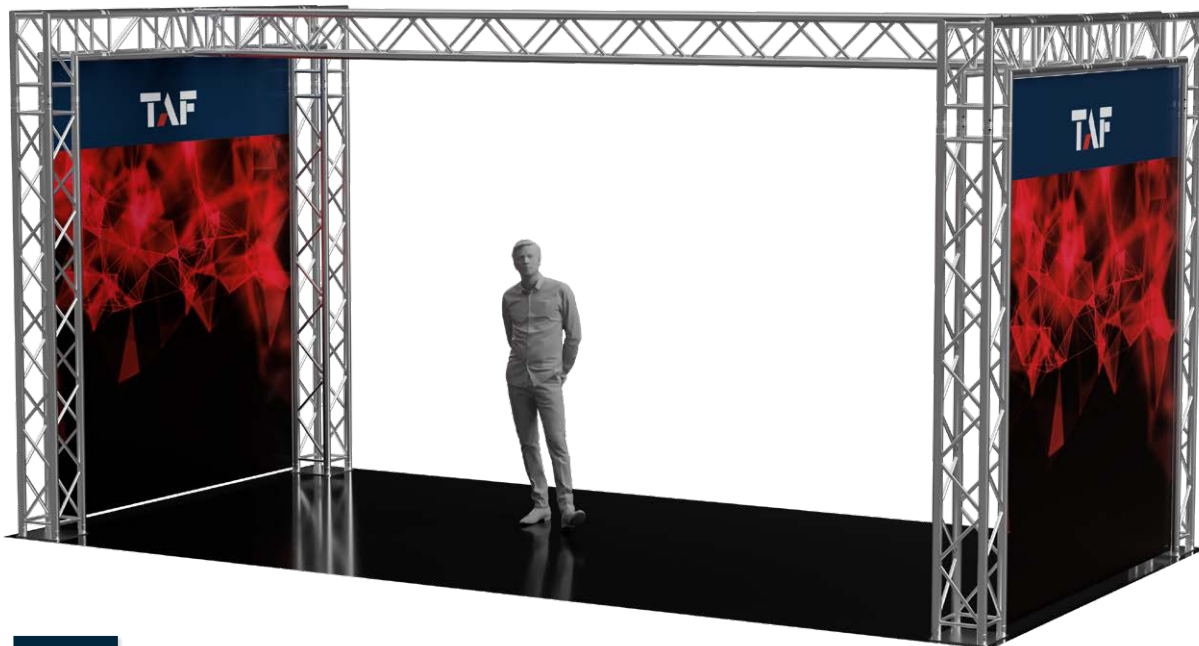
#5104

Small exhibit design Quicklock line system: FT33
 Dimensions: 2.66x2.66x2.5m (8.73x8.73x8.20ft)
 Clearance: 2.25m (7.38ft)



#5201

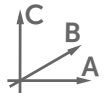
Medium size exhibit designs Quicklock line system: FT33
 Dimensions: 6x3x3m (19.69x9.85x9.85ft) Clearance: 2.75m (9.02ft)



#5202

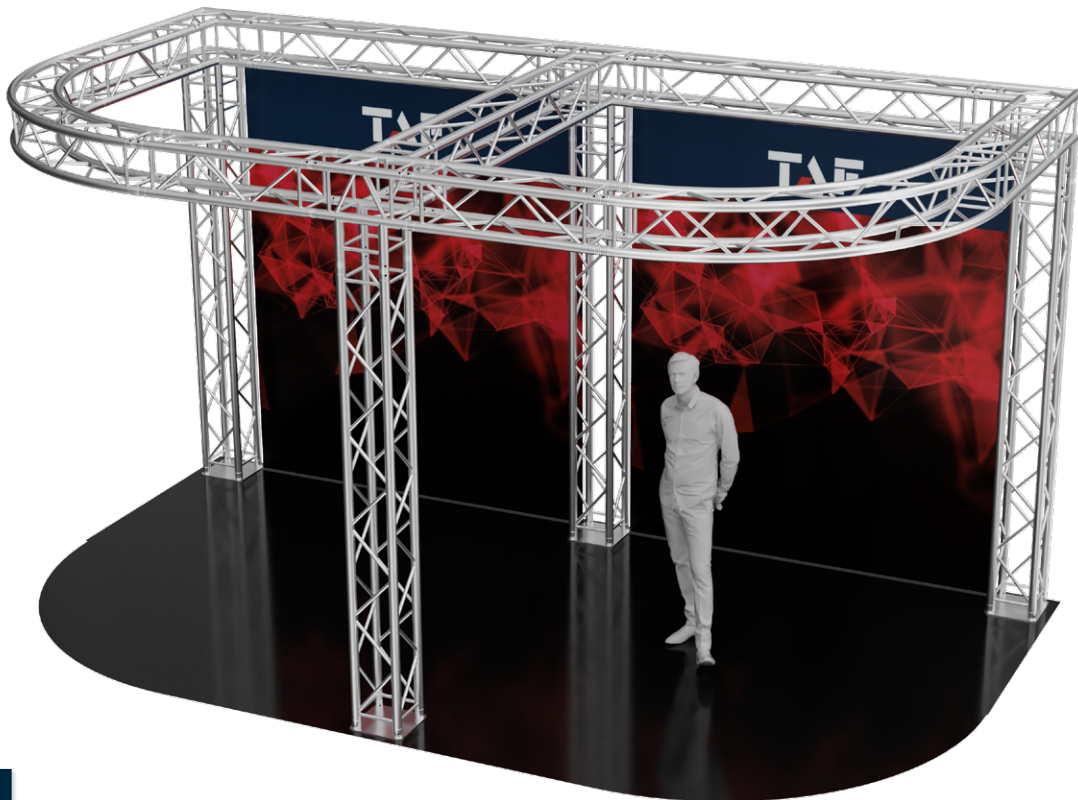
Medium size exhibit design Quicklock line system: FT34
 Dimensions: 6x3x3m (19.69x9.85x9.85ft)
 Clearance: 2.72m (8.91ft)

DESIGN EVENTS



#5203

Medium size exhibit design Quicklock line system: FT33 Dimensions: 6x2x3.63m (19.69x6.56x11.90ft)
Clearance: 2.25m (7.38ft)



#5204

Medium size exhibit design Quicklock line system: FT34 Dimensions: 5.5x3x3m (18.04x9.85x9.85ft)
Clearance: 2.72m (8.91ft)



#5205

Medium Exhibit Design Quicklock line system: FT34 Dimensions: 4x4x3m (13.12x13.12x9.85ft) Clearance: 2.61m (8.56ft)



#5206

Medium Exhibit Design Quicklock line system: FT34 Dimensions: 4.5x4.5x3m (14.76x14.76x9.85ft) Clearance: 2.61m (8.56ft)

DESIGN EVENTS



#5207

Medium Exhibit Design Quicklock line system: FT34 Dimensions: 4.29x3.295m (14.07x10.81ft) Clearance: 3m (9.85ft)



#5301

Large exhibit design Quicklock line system: FT34 Dimensions: 6x6x4m (19.69x19.69x13.12ft) Clearance: 2.61m (8.56ft)



#5302

Large exhibit design Quicklock line system: FT33 Dimensions: 6x5.5x3.6m (19.69x17.95x11.81ft)
Clearance: 2.25m (7.38ft)



#5303

Large Exhibit Design Quicklock line system: FT34 Dimensions: 5.5x5x3m (18.05x16.40x9.85ft) Clearance: 2.61m (8.56ft)

GATES



Gate 5

This finish gate offers a lot of promotional space and has great design. It is made out of FT34 truss system. Dimensions 13.6x2.5x7.4m (44.62x8.20x24.28ft) with clearance of 4.7m (15.42ft)



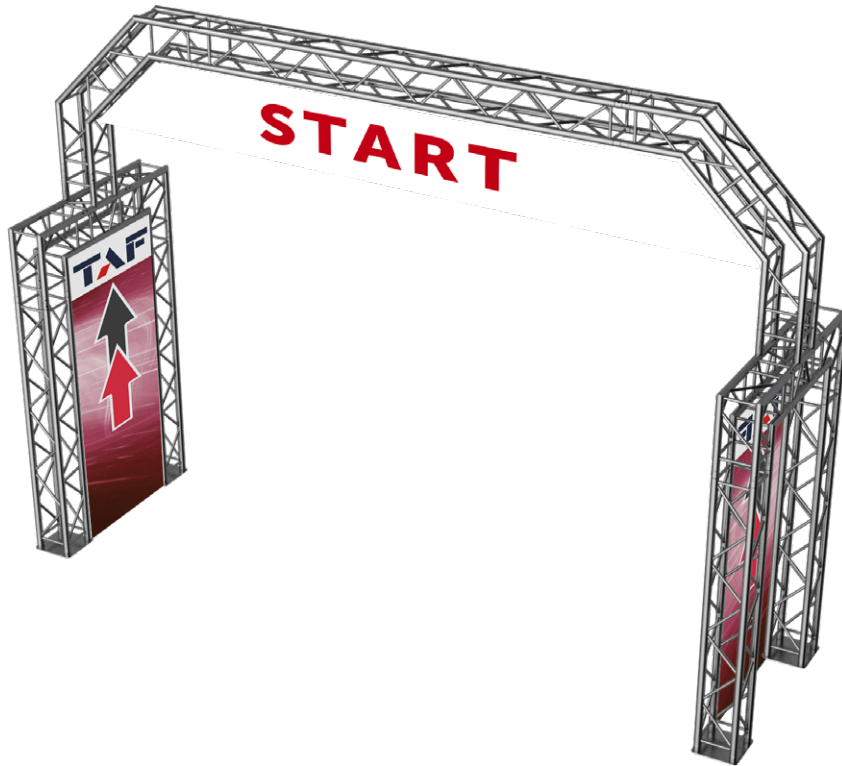
Gate 1

Basic version of finish gate for various types of races. It is made out of FT33 truss system. Dimensions 3x3.5x4m (9.85x11.48x13.12ft) with clearance 2.6m



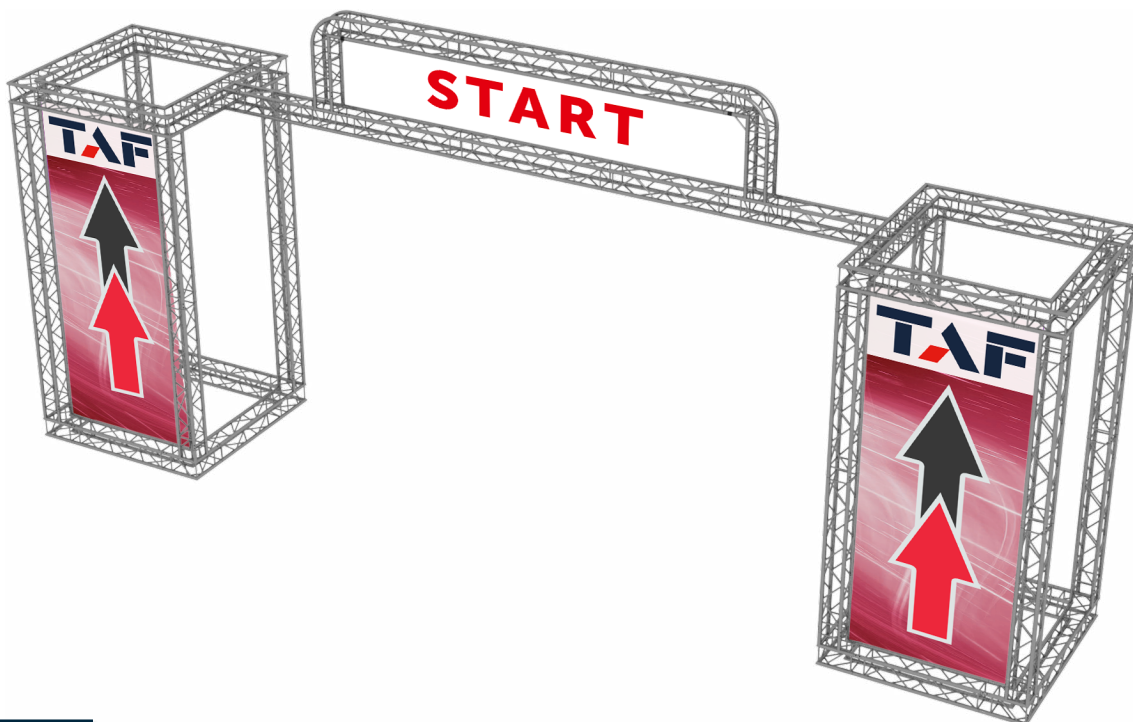
Gate 2

Traditional version of a truss gate for any kind of races made out of FT34 truss system. Dimensions 6x3.5x4m (19.62x11.48x13.12ft) with clearance 2.6m



Gate 3

Truss gate made of standard trusses FT34. Dimensions 5.4x1.5x3.9m (17.71x4.92x12.80ft) with clearance 3.6m (11.81ft)



Gate 4

Finish gate with promotional banners made out of standard FT34 trusses. Dimensions 13.6x2.5x6.2m (44.62x8.20x20.34ft) with clearance 4.7m (15.42ft)

SPECS SUMMARY

Quicklock Line FT14 box

SPECIFICATIONS	
TUBES	20x2 (0.8 x 0.08inch)
BRACES	6mm (0.24inch)
ALLOY	EN-AW 6082 T6

LOADING TABLES						
	2m	4m	6m	8m	10m	
Distrib. Load [kg/m]	220	61	29	14	9	
Deflection [mm]	12.1	41.5	91.7	155.7	261.1	
Point load [kg]	147	93	69	52	44	
Deflection [mm]	6.4	25.4	60.5	118.5	196.5	
	6.56ft	13.12ft	19.68ft	26.24ft	32.81ft	
Distrib. Load [lb/ft]	147.9	41	19.5	9.4	6	
Deflection [inch]	0.5	1.6	3.6	6.1	10.3	
Point load [lb]	324.1	205.1	152.1	114.7	97	
Deflection [inch]	0.3	1	2.4	4.7	7.7	

Quicklock Line FT21 single

SPECIFICATIONS	
TUBES	35x2 (1.4 x 0.08inch)
ALLOY	EN-AW 6060 T66

LOADING TABLES						
	1m	2m	3m	4m		
Distrib. Load [kg/m]	113	28	13	7v		
Deflection [mm]	7.4	29.7	66.7	118.6		
Point load [kg]	56	28	19	14		
Deflection [mm]	5.9	23.7	53.4	94.9		
	3.28ft	6.56ft	9.84ft	13.12ft		
Distrib. Load [lb/ft]	75.9	18.8	8.7	4.7		
Deflection [inch]	0.3	1.2	2.6	4.7		
Point load [lb]	123.5	61.7	41.9	30.9		
Deflection [inch]	0.2	0.9	2.1	3.7		

Quicklock Line FT22 double

SPECIFICATIONS	
TUBES	35x2 (1.4 x 0.08inch)
BRACES	8mm (0.3inch)
ALLOY	EN-AW 6060 T66

LOADING TABLES						
	2m	3m	4m	6m	8m	10m
Distrib. Load [kg/m]	101	67	48	21	11	7
Deflection [mm]	0.9	2.9	6.6	15.5	27.7	43.6
Point load [kg]	196	129	96	63	44	33
Deflection [mm]	1.3	3	5.4	12.6	22.9	36.7
	6.56ft	9.84ft	13.12ft	19.68ft	26.24ft	32.81ft
Distrib. Load [lb/ft]	67.9	45	32.3	14.1	7.4	4.7
Deflection [inch]	0.04	0.1	0.3	0.6	1.1	1.7
Point load [lb]	432.2	284.4	211.7	138.9	97	72.8
Deflection [inch]	0.1	0.1	0.2	0.5	0.9	1.4

Quicklock Line FT23 triangle

SPECIFICATIONS	
TUBES	35x2 (1.4 x 0.08inch)
BRACES	8mm (0.3inch)
ALLOY	EN-AW 6060 T66

LOADING TABLES						
	2m	3m	4m	6m	8m	10m
Distrib. Load [kg/m]	175	114	64	27	14	8
Deflection [mm]	1.5	4.9	8.9	20.1	36	56.8
Point load [kg]	262	171	127	81	56	41
Deflection [mm]	1.8	4	7.2	16.5	30	48.3
	6.56ft	9.84ft	13.12ft	19.68ft	26.24ft	32.81ft
Distrib. Load [lb/ft]	117.6	76.6	43	18.1	9.4	5.4
Deflection [inch]	0.1	0.2	0.4	0.8	1.4	2.2
Point load [lb]	577.7	377.1	280	178.6	123.5	90.4
Deflection [inch]	0.1	0.2	0.3	0.6	1.2	1.9

Quicklock Line FT24 box

SPECIFICATIONS	
TUBES	35x2 (1.4 x 0.08inch)
BRACES	8mm (0.3inch)
ALLOY	EN-AW 6060 T66

LOADING TABLES						
	2m	3m	4m	6m	8m	10m
Distrib. Load [kg/m]	202	134	100	65	35	21
Deflection [mm]	0.9	2.9	6.9	23.1	41.3	64.8
Point load [kg]	405	354	286	195	141	107
Deflection [mm]	1.4	4.1	7.9	18.7	33.7	53.6
	6.56ft	9.84ft	13.12ft	19.68ft	26.24ft	32.81ft
Distrib. Load [lb/ft]	135.8	90.1	67.2	43.7	23.5	14.1
Deflection [inch]	0	0.1	0.3	0.9	1.6	2.6
Point load [lb]	893	780.6	630.6	430	310.9	235.9
Deflection [inch]	0.1	0.2	0.3	0.7	1.3	2.1

Loading tables are valid for static loads and spans with two supporting points. Spans must be supported at each end. Contact structural engineer if there are more supporting points applied or dynamic and wind loads involved.

Quicklock Line FT31 single

SPECIFICATIONS

TUBES	50x2mm (2 x 0.08inch)
ALLOY	EN-AW 6082 T6

LOADING TABLES

	1m	2m	3m	4m
Distrib. Load [kg/m]	438	109	49	27
Deflection [mm]	9.4	37.4	84.2	149.7
Point load [kg]	219	109	73	55
Deflection [mm]	7.5	29.9	67.4	119.8
	3.28ft	6.56ft	9.84ft	13.12ft
Distrib. Load [lb/ft]	294.4	73.3	32.9	18.1
Deflection [inch]	0.4	1.5	3.3	5.9
Point load [lb]	482.9	240.3	161	121.3
Deflection [inch]	0.3	1.2	2.7	4.7

Quicklock Line FT32 / HT32 double

SPECIFICATIONS FT32

TUBES	50x2mm (2 x 0.08inch)
BRACES	20x2mm (0.8 x 0.08inch)
ALLOY	EN-AW 6082 T6

SPECIFICATIONS HT32

TUBES	50x3mm (2 x 0.12inch)
BRACES	20x2mm (0.8 x 0.08inch)
ALLOY	EN-AW 6082 T6

LOADING TABLES FT32 / HT32

	2m		4m		6m		8m		10m		12m	
Distrib. Load [kg/m]	673	710	166	254	76	115	43	64	27	40	18	27
Deflection [mm]	2.3	1.7	9.3	9.6	21.9	22.3	39.8	40.4	63.7	64.2	94	94.1
Point load [kg]	673	1027	333	508	228	344	170	256	135	202	110	165
Deflection [mm]	1.9	1.9	7.4	7.7	17.6	18	32.3	32.8	52.5	52.5	77.7	77.5
	6.56ft		13.12ft		19.68ft		26.24ft		32.81ft		39.37ft	
Distrib. Load [lb/ft]	452.3	477.2	111.6	170.7	51.1	77.3	28.9	43	18.1	26.9	12.1	18.1
Deflection [inch]	0.1	0.1	0.4	0.4	0.9	0.9	1.6	1.6	2.5	2.5	3.7	3.7
Point load [lb]	1484	2264.5	734.3	1120.1	502.7	758.5	374.9	564.5	297.7	445.4	242.6	363.8
Deflection [inch]	0.1	0.1	0.3	0.3	0.7	0.7	1.3	1.3	2.1	2.1	3.1	3.1

Quicklock Line FT33 / HT33 triangle

SPECIFICATIONS FT33

TUBES	50x2mm (2 x 0.08inch)
BRACES	20x2mm (0.8 x 0.08inch)
ALLOY	EN-AW 6082 T6

SPECIFICATIONS HT33

TUBES	50x3mm (2 x 0.12inch)
BRACES	20x2mm (0.8 x 0.08inch)
ALLOY	EN-AW 6082 T6

LOADING TABLES FT33 / HT33

	2m		4m		6m		8m		10m		12m	
Distrib. Load [kg/m]	761	1231	206	338	92	150	51	81	31	50	20	32
Deflection [mm]	2.6	2.9	11.5	12.8	26.8	29.4	48.8	51.7	75.2	80.6	105.6	112.7
Point load [kg]	761	1321	412	675	277	450	206	324	154	249	117	190
Deflection [mm]	2.1	2.5	9.3	10.3	21.7	23.7	39.8	42.1	62	66.1	88.3	93.5
	6.56ft		13.12ft		19.68ft		26.24ft		32.81ft		39.37ft	
Distrib. Load [lb/ft]	511.4	827.3	138.4	227.2	61.8	100.8	34.3	54.4	20.8	33.6	13.4	21.5
Deflection [inch]	0.1	0.1	0.5	0.5	1.1	1.2	1.9	2	3	3.2	4.2	4.4
Point load [lb]	1678	2912.8	908.5	1488.4	610.8	992.3	454.2	714.4	339.6	549	258	419
Deflection [inch]	0.1	0.1	0.4	0.4	0.9	0.9	1.6	1.7	2.4	2.6	3.5	3.7

Quicklock Line FT34 / HT34 box

SPECIFICATIONS FT34

TUBES	50x2mm (2 x 0.08inch)
BRACES	20x2mm (0.8 x 0.08inch)
ALLOY	EN-AW 6082 T6

SPECIFICATIONS HT34

TUBES	50x3mm (2 x 0.12inch)
BRACES	20x2mm (0.8 x 0.08inch)
ALLOY	EN-AW 6082 T6

LOADING TABLES FT34 / HT34

	2m		4m		6m		8m		10m		12m	
Distrib. Load [kg/m]	1422	1420	493	707	223	344	127	193	79	121	51	82
Deflection [mm]	2.4	1.7	13.7	13.3	31.8	33.2	58	59.8	90.5	93.9	126.4	134.8
Point load [kg]	1919	2840	987	1544	670	1033	507	771	394	607	308	491
Deflection [mm]	2.6	2.7	11	11.7	25.6	26.7	46.9	48.3	73.6	76.2	103.6	110.1
	6.56ft		13.12ft		19.68ft		26.24ft		32.81ft		39.37ft	
Distrib. Load [lb/ft]	955.7	954.3	331.3	475.1	149.9	231.2	85.4	129.7	53.1	81.3	34.3	55.1
Deflection [inch]	0.1	0.1	0.5	0.5	1.3	1.3	2.3	2.4	3.6	3.7	5	5.3
Point load [lb]	4231.4	6262.2	2176.3	3404.5	1477.4	2277.8	1117.9	1700.1	868.8	1338.4	679.1	1082.7
Deflection [inch]	0.1	0.1	0.4	0.5	1	1.1	1.8	1.9	2.9	3	4.1	4.3

SPECS SUMMARY

Quicklock Line FT42 / HT42 double

SPECIFICATIONS FT42	
TUBES	50x2mm (2 x 0.08inch)
BRACES	25x3mm (1 x 0.12inch)
ALLOY	EN-AW 6082 T6

SPECIFICATIONS HT42	
TUBES	50x3mm (2 x 0.12inch)
BRACES	25x3mm (1 x 0.12inch)
ALLOY	EN-AW 6082 T6

LOADING TABLES FT42 / HT42																
	2m		4m		6m		8m		10m		12m		14m		16m	
Distrib. Load [kg/m]	756	1042	243	332	109	153	61	87	39	57	27	40	19	29	14	21
Deflection [mm]	1.2	1.1	6.4	5.9	14.7	14	26.7	25.7	42.7	42.1	63	63.5	87.8	87.9	115.3	115.2
Point load [kg]	756	1042	486	664	327	459	245	349	195	286	161	243	135	204	113	172
Deflection [mm]	1	0.9	5.1	4.7	11.8	11.3	21.6	20.8	34.8	34.3	51.8	52	72.9	72.5	96.7	95.9
	6.56ft		13.12ft		19.68ft		26.24ft		32.81ft		39.37ft		45.93ft		52.49ft	
Distrib. Load [lb/ft]	508.1	700.3	163.3	223.1	73.3	102.8	41	58.5	26.2	38.3	18.1	26.9	12.8	19.5	9.4	14.1
Deflection [inch]	0.05	0.04	0.3	0.2	0.6	0.6	1.1	1	1.7	1.7	2.5	2.5	3.5	3.5	4.5	4.5
Point load [lb]	1667	2297.6	1071.6	1464.1	721	1012.1	540.2	769.5	430	630.6	355	535.8	297.7	449.8	249.2	379.3
Deflection [inch]	0.04	0.04	0.2	0.2	0.5	0.4	0.9	0.8	1.4	1.4	2	2	2.9	2.9	3.8	3.8

Quicklock Line FT43 / HT43 triangle

SPECIFICATIONS FT43	
TUBES	50x2mm (2 x 0.08inch)
BRACES	25x3mm (1 x 0.12inch)
ALLOY	EN-AW 6082 T6

SPECIFICATIONS HT43	
TUBES	50x3mm (2 x 0.12inch)
BRACES	25x3mm (1 x 0.12inch)
ALLOY	EN-AW 6082 T6

LOADING TABLES FT43 / HT43																
	2m		4m		6m		8m		10m		12m		14m		16m	
Distrib. Load [kg/m]	779	1412	272	457	124	212	70	119	45	75	31	51	21	34	15	25
Deflection [mm]	1.3	1.6	7.2	8.1	16.9	19.4	31.3	35.3	50.9	56.2	75.6	81.9	100.8	108.8	133.3	140.9
Point load [kg]	779	1412	544	913	371	636	282	475	225	375	184	304	144	241	121	207
Deflection [mm]	1	1.2	5.8	6.5	13.6	15.7	25.5	28.6	41.8	45.9	62.8	67.5	84.9	90.7	116.1	123.7
	6.56ft		13.12ft		19.68ft		26.24ft		32.81ft		39.37ft		45.93ft		52.49ft	
Distrib. Load [lb/ft]	523.5	948.9	182.8	307.1	83.3	142.5	47	80	30.2	50.4	20.8	34.3	14.1	22.8	10.1	16.8
Deflection [inch]	0.1	0.1	0.3	0.3	0.7	0.8	1.2	1.4	2	2.2	3	3.2	4	4.3	5.2	5.5
Point load [lb]	1717.7	3113.5	1199.5	2013.2	818.1	1402.4	621.8	1047.4	496.1	826.9	405.7	670.3	317.5	531.4	266.8	456.4
Deflection [inch]	0.04	0.05	0.2	0.3	0.5	0.6	1	1.1	1.6	1.8	2.5	2.7	3.3	3.6	4.6	4.9

Quicklock Line FT44 / HT44 box

SPECIFICATIONS FT44	
TUBES	50x2mm (2 x 0.08inch)
BRACES	25x3mm (1 x 0.12inch)
ALLOY	EN-AW 6082 T6

SPECIFICATIONS HT44	
TUBES	50x3mm (2 x 0.12inch)
BRACES	25x3mm (1 x 0.12inch)
ALLOY	EN-AW 6082 T6

LOADING TABLES FT44 / HT44																
	2m		4m		6m		8m		10m		12m		14m		16m	
Distrib. Load [kg/m]	1805	2327	595	901	274	417	163	243	106	162	73	112	52	82	38	61
Deflection [mm]	1.5	1.3	7.8	8	18.4	18.9	35.2	35.4	57.3	58.8	83.5	86.5	114.9	119.8	151.1	158.7
Point load [kg]	1805	3267	1190	1803	823	1252	653	971	532	811	436	675	364	573	304	477
Deflection [mm]	1.2	1.4	6.2	6.4	14.8	15.2	28.5	28.5	46.6	47.6	68.4	70.5	94.7	98.3	124.5	127.8
	6.56ft		13.12ft		19.68ft		26.24ft		32.81ft		39.37ft		45.93ft		52.49ft	
Distrib. Load [lb/ft]	1213.1	1563.9	399.9	605.5	184.1	280.2	109.5	163.3	71.2	108.9	49.1	75.3	34.9	55.1	25.5	41
Deflection [inch]	0.1	0.1	0.3	0.3	0.7	0.7	1.4	1.4	2.3	2.3	3.3	3.4	4.5	4.7	5.9	6.2
Point load [lb]	3980	7203.7	2624	3975.6	1814.7	2760.7	1439.9	2141.1	1173.1	1788.3	961.4	1488.4	802.6	1263.5	670.3	1051.8
Deflection [inch]	0.05	0.1	0.2	0.3	0.6	0.6	1.1	1.1	1.8	1.9	2.7	2.8	3.7	3.9	4.9	5

Quicklock Line FTR4030 rectangle

SPECIFICATIONS

TUBES	50x3mm (2 x 0.12inch)
BRACES	25x3mm (1 x 0.12inch)
ALLOY	EN-AW 6082 T6

LOADING TABLES

	6m	8m	10m	12m	14m	16m	18m
Distrib. Load [kg/m]	464	261	167	115	85	63	47
Deflection [mm]	20.9	37.5	59.2	85.8	119.3	154.1	190
Point load [kg]	1392	1045	833	688	592	501	421
Deflection [mm]	16.8	30.2	47.7	69.5	97	126	156.3
	19.68ft	26.24ft	32.81ft	39.37ft	45.93ft	52.49ft	59.05ft
Distrib. Load [lb/ft]	311.8	175.4	112.2	77.3	57.1	42.3	31.6
Deflection [inch]	0.8	1.5	2.3	3.4	4.7	6.1	7.5
Point load [lb]	3069.4	2304.2	1836.8	1517	1305.4	1104.7	928.3
Deflection [inch]	0.7	1.2	1.9	2.7	3.8	5	6.2

Quicklock Line TT35 box

SPECIFICATIONS

TUBES	50x4mm (2.0 x 0.16 inch)
BRACES	25x3mm (0.98 x 0.12 inch)
ALLOY	EN-AW 6082 T6

LOADING TABLES - COMPLETE TRUSS*

	6m	8m	10m	12m	14m	16m	18m	20m
Distrib. Load [kg/m]	369	204	126	84	57	40	26	15
Deflection [mm]	27.6	49.3	76.9	110.6	148.6	188.3	221.6	235.8
Point load [kg] (in L/2)	620	620	620	502	402	317	234	146
Deflection [mm]	12.8	31.1	62.0	91.2	123.9	159.3	191.1	209.7
Point load [kg] (in L/3)	620	612	472	377	302	238	176	109
Deflection [mm]	21.2	50.4	78.5	112.8	151.3	191.5	225.0	238.7
Point load [kg] (in L/4)	554	408	315	251	201	159	117	73
Deflection [mm]	26.2	47.0	73.4	105.8	142.4	181.0	214.0	229.3
	19.7ft	26.2ft	32.8ft	39.37ft	45.9ft	52.5ft	59.1ft	65.6ft
Distrib. Load [lb/ft]	247.96	137.1	84.7	56.4	38.3	26.9	17.5	10.1
Deflection [inch]	1.1	1.94	3.0	4.4	5.9	7.4	8.7	9.3
Point load [lb] (in L/2)	2440.5	1796.77	1386.7	1106.7	886.3	698.9	515.9	321.9
Deflection [inch]	0.9	1.6	2.5	3.6	4.9	6.3	7.5	8.3
Point load [lb] (in L/3)	1832.0	1349.2	1040.6	831.1	665.8	524.7	388.0	240.3
Deflection [inch]	1.1	1.98	3.1	4.4	5.96	7.5	8.9	9.4
Point load [lb] (in L/4)	1221.4	899.5	694.5	553.4	443.1	350.5	257.9	160.9
Deflection [inch]	1.0	1.9	2.9	4.2	5.6	7.1	8.4	9.0

Quicklock Line TT44 box

SPECIFICATIONS

TUBES	50x4mm (2.0 x 0.16 inch)
BRACES	25x3mm (0.98 x 0.12 inch)
ALLOY	EN-AW 6082 T6

LOADING TABLES - COMPLETE TRUSS*

	6m	8m	10m	12m	14m	16m	18m	20m
Distrib. Load [kg/m]	700	390	245	166	119	88	66	50
Deflection [mm]	24.3	43.5	68.1	98.3	134.2	175.8	221.1	267.2
Point load [kg]	2111	1561	1226	999	833	705	596	496
Deflection [mm]	19.6	35.1	55.2	80.2	110.1	145.4	184.6	225.5
	19.7ft	26.2ft	32.8ft	39.37ft	45.9ft	52.5ft	59.1ft	65.6ft
Distrib. Load [lb/ft]	470.4	262.1	164.6	111.5	80.0	59.1	44.3	33.6
Deflection [inch]	1.0	1.7	2.7	3.9	5.3	6.9	8.7	10.6
Point load [lb]	4654.0	3441.4	2702.9	2202.4	1836.5	1554.3	1314.0	1093.5
Deflection [inch]	0.7	1.4	2.2	3.2	4.3	5.7	7.3	8.9

Quicklock Line TT45 box

SPECIFICATIONS

TUBES	50x4mm (2.0 x 0.16 inch)
BRACES	25x3mm (0.98 x 0.12 inch)
ALLOY	EN-AW 6082 T6

LOADING TABLES - COMPLETE TRUSS*

	6m	8m	10m	12m	14m	16m	18m	20m
Distrib. Load [kg/m]	618	342	214	145	103	75	56	42
Deflection [mm]	21.5	38.2	59.6	86.2	117.4	152.3	190.8	230.7
Point load [kg] (in L/2)	1855	1368	1070	871	723	604	506	419
Deflection [mm]	17.3	30.8	48.4	70.3	96.6	126.3	159.8	195.5
Point load [kg] (in L/3)	1391	1026	803	653	543	453	379	314
Deflection [mm]	22.0	39.0	60.9	87.9	119.7	155.2	194.2	234.7
Point load [kg] (in L/4)	928	684	535	435	362	302	253	209
Deflection [mm]	20.4	36.4	56.8	82.2	112.2	145.8	183.0	221.9
	19.7ft	26.2ft	32.8ft	39.37ft	45.9ft	52.5ft	59.1ft	65.6ft
Distrib. Load [lb/ft]	415.3	229.8	143.8	97.4	69.2	50.4	37.6	28.2
Deflection [inch]	0.9	1.5	2.4	3.4	4.6	5.6	7.5	9.1
Point load [lb] (in L/2)	4089.6	3015.9	2358.9	1920.2	1593.9	1331.6	1115.5	923.7
Deflection [inch]	0.7	1.2	1.9	2.8	3.8	5.0	6.3	7.7
Point load [lb] (in L/3)	3066.6	2261.9	1770.3	1439.6	1197.1	998.7	835.6	692.2
Deflection [inch]	0.9	1.5	2.4	3.5	4.7	6.1	7.6	9.2
Point load [lb] (in L/4)	2045.9	1508.0	1179.5	959.0	798.1	665.8	557.8	460.8
Deflection [inch]	0.8	0.8	2.2	3.2	4.4	5.7	7.2	8.7

Loading tables are valid for static loads and spans with two supporting points. Spans must be supported at each end. Contact structural engineer if there are more supporting points applied or dynamic and wind loads involved.

*The truss may be loaded only at the points of vertical diagonals - intersections loads only. Only vertical loads - the force vector must always aim directly to the ground.

SPECS SUMMARY

Quicklock Line TT54 box

SPECIFICATIONS	
TUBES	50x4mm (2 x 0.16inch)
BRACES	30x3mm (1.2 x 0.12inch)
ALLOY	EN-AW 6082 T6

LOADING TABLES

	6m	8m	10m	12m	14m	16m	18m	20m
Distrib. Load [kg/m]	729	409	259	177	128	93	69	52
Deflection [mm]	16.9	30.3	47.9	69.8	95.9	123.3	153.5	186.6
Point load [kg]	2188	1635	1296	1065	895	741	618	517
Deflection [mm]	14.1	25.3	40	58.1	79.9	102.7	128	155.5
	19.7ft	26.2ft	32.8ft	39.37ft	45.9ft	52.5ft	59.1ft	65.6ft
Distrib. Load [lb/ft]	489.9	274.9	174.1	118.95	86	62.5	46.4	34.9
Deflection [inch]	0.7	1.2	1.9	2.7	3.8	4.9	6	7.3
Point load [lb]	4824.5	3605.2	2857.7	2348.3	1973.5	1633.9	1362.7	1140
Deflection [inch]	0.6	1	1.6	2.3	3.1	4	5	6.1

Quicklock Line TT74 rectangle

SPECIFICATIONS	
TUBES	50x4mm (2 x 0.16inch)
BRACES	30x3mm (1.2 x 0.12inch)
ALLOY	EN-AW 6082 T6

LOADING TABLES

	6m	8m	10m	12m	14m	16m	18m	20m
Distrib. Load [kg/m]	713	530	394	270	195	146	112	88
Deflection [mm]	7.3	17.3	31.7	46.1	63.4	83.6	106.6	132.6
Point load [kg]	3116	2478	1968	1620	1365	1168	1009	877
Deflection [mm]	8.8	16.7	26.4	38.5	52.8	69.6	88.8	110.5
	19.7ft	26.2ft	32.8ft	39.37ft	45.9ft	52.5ft	59.1ft	65.6ft
Distrib. Load [lb/ft]	479.2	356.2	264.8	181.5	131	98.1	75.3	59.1
Deflection [inch]	0.3	0.7	1.2	1.8	2.5	3.3	4.2	5.2
Point load [lb]	6870.8	5464	4339.4	3572.1	3009.8	2575.4	2224.8	1933.8
Deflection [inch]	0.3	0.7	1	1.5	2.1	2.7	3.5	4.4

Quicklock Line TT104 rectangle

SPECIFICATIONS	
TUBES	60x6mm (2.4 x 0.02inch)
BRACES	30x3mm (1.18 x 0.12inch)
ALLOY	EN-AW 6082 T6

LOADING TABLES

	8m	10m	12m	14m	16m	18m	20m	22m	24m	26m	28m	30m	32m	34m
Distrib. Load [kg/m]	1441,6	1148,7	835,7	607,9	460	358,7	286,2	232,5	191,7	160	134,8	114,4	97,8	84
Deflection [mm]	11,9	23,3	35,4	48,3	63,1	80	98,9	119,9	142,9	168,1	195,3	224,8	256,4	290,2
Point load [kg]	5880*	5157*	4513*	4000*	3570*	3196*	2861,7	2557,8	2300,7	2079,6	1886,8	1716,7	1564,9	1428,4
Deflection [mm]	9,8	16,9	25,8	36,8	49,7	64,4	80,7	98,3	117,7	139,1	162,5	188	215,7	245,7
	26,2ft	32,8ft	39,37ft	45,9ft	52,5ft	59,1ft	65,6ft	72,2ft	78,7ft	85,3ft	91,9ft	98,4ft	105ft	111,6ft
Distrib. Load [lb/ft]	968,8	772,0	561,6	408,5	309,1	241,1	192,3	156,3	128,8	107,5	90,6	76,9	65,7	56,5
Deflection [inch]	0,5	0,9	1,4	1,9	2,5	3,1	3,9	4,7	5,6	6,6	7,7	8,9	10,1	11,4
Point load [lb]	12965,4	11371,2	9951,2	8820,0	7871,9	7047,2	6310,0	5639,9	5073,0	4585,5	4160,4	3785,3	3450,6	3149,6
Deflection [inch]	0,4	0,7	1,0	1,4	2,0	2,5	3,2	3,9	4,6	5,5	6,4	7,4	8,5	9,7

Quicklock Line PT33 triangle

SPECIFICATIONS	
TUBES	50x2mm (2 x 0.08inch)
BRACES	16x2 mm (0.63 x 0.08inch)
ALLOY	EN-AW 6082 T6

LOADING TABLES

	2 m	4 m	6 m	8 m	10 m	12 m
Distrib. Load [kg/m]	680	206	97	54	33	20
Deflection [mm]	2.3	11.5	28.1	51	78.3	107.2
Point load [kg]	761	413	292	217	163	133
Deflection [mm]	2.1	9.3	22.7	41.5	64.3	96
	6.56 ft	13.12 ft	19.68 ft	26.24 ft	32.81 ft	39.37 ft
Distrib. Load [lb/ft]	457	138.4	65.2	36.3	22.2	13.4
Deflection [inch]	0.1	0.5	1.1	2	3.1	4.2
Point load [lb]	1678	910.7	643.9	478.5	359.4	293.3
Deflection [inch]	0.1	0.4	0.9	1.6	2.5	3.8

Quicklock Line **PT34 / PTH34** box

SPECIFICATIONS PT44	
TUBES	50x2mm (2 x 0.08inch)
BRACES	16x2mm (0.63 x 0.08inch)
ALLOY	EN-AW 6082 T6

SPECIFICATIONS PTH34	
TUBES	48x3mm (1.89 x 0.12inch)
BRACES	16x2mm (0.63 x 0.08inch)
ALLOY	EN-AW 6082 T6

LOADING TABLES PT34 / PTH34

	2m		4m		6m		8m		10m		12m	
Distrib. Load [kg/m]	785	726	390	359	229	237	130	175	81	124	53	83
Deflection [mm]	1.4	0.9	10.8	7.2	32.5	24.2	59.3	57.5	92.5	101.1	130.3	144.9
Point load [kg]	1570	1452	961	1436	688	1096	520	802	406	618	321	496
Deflection [mm]	2.2	1.4	10.7	11.4	26.2	29.7	47.9	52.8	75.1	82.2	106.6	118.8
	6.56ft		13.12ft		19.68ft		26.24ft		32.81ft		39.37ft	
Distrib. Load [lb/ft]	527.6	487.8	262.1	241.2	153.9	159.3	87.4	117.6	54.4	83.3	35.6	55.8
Deflection [inch]	0.1	0.04	0.4	0.3	1.3	1.0	2.3	2.3	3.6	4.0	5.1	5.7
Point load [lb]	3461.9	3201.1	2119	3165.8	1517	2416.3	1146.6	1768.1	895.2	1362.5	707.8	1093.5
Deflection [inch]	0.1	0.1	0.4	0.5	1	1.2	1.9	2.1	3	3.2	4.2	4.7

Loading tables are valid for static loads and spans with two supporting points. Spans must be supported at each end. Contact structural engineer if there are more supporting points applied or dynamic and wind loads involved.

Quicklock Line PT44 box

SPECIFICATIONS

TUBES	50x2mm (1.96 x 0.08 inch)
BRACES	20x2mm (0.78 x 0.08 inch)
ALLOY	EN-AW 6082 T6

LOADING TABLES

	2 m	4 m	6 m	8 m	10 m	12 m
Distrib. Load [kg/m]	1045	519	344	204	130	89
Deflection [mm]	0.9	7.2	24.3	46.1	73.1	106.0
Point load [kg]	2090	1670	1090	814	649	531
Deflection [mm]	1.4	9.2	20.6	37.2	59.3	86.4
	6.56 ft	13.12 ft	19.68 ft	26.24 ft	32.81 ft	39.37 ft
Distrib. Load [lb/ft]	702.2	348.8	231.2	137.1	87.4	59.8
Deflection [inch]	0.04	0.3	1.0	1.8	2.9	4.2
Point load [lb]	82.3	65.7	2.9	32.0	25.6	20.9
Deflection [inch]	0.1	0.4	0.8	1.5	2.3	3.4

Quicklock Line PTH44 box

SPECIFICATIONS

TUBES	48x3mm (1.89 x 0.12 inch)
BRACES	20x2mm (0.78 x 0.08 inch)
ALLOY	EN-AW 6082 T6

LOADING TABLES

	2 m	4 m	6 m	8 m	10 m	12 m
Distrib. Load [kg/m]	835	414	274	204	162	126
Deflection [mm]	0.5	4.1	13.8	32.8	64.1	104.6
Point load [kg]	1669	1656	1483	1138	913	755
Deflection [mm]	0.8	6.5	19.8	36.5	58.1	84.8
	6.56 ft	13.12 ft	19.68 ft	26.24 ft	32.81 ft	39.37 ft
Distrib. Load [lb/ft]	561.1	278.2	184.1	137.1	108.9	84.7
Deflection [inch]	0.002	0.01	0.05	0.1	0.2	0.3
Point load [lb]	3679.5	3650.9	3269.5	2508.9	2012.8	1664.5
Deflection [inch]	0.03	0.3	0.8	1.4	2.3	3.3

Quicklock Line LT32 double

SPECIFICATIONS

TUBES	50x2mm (2 x 0.08inch)
BRACES	20x2mm (0.8 x 0.08inch)
ALLOY	EN-AW 6082 T6

LOADING TABLES

	1m	2m	3m	4m	5m	6m
Distrib. Load [kg/m]	467	257	177	137	127	103
Deflection [mm]	0.8	1.7	4.3	11.2	24.3	31.1
Point load [kg]	467	467	467	433	347	300
Deflection [mm]	0.8	2.3	5.7	11.1	20.3	22.4
	6.56ft	13.12ft	19.68ft	26.24ft	32.81ft	37.37ft
Distrib. Load [lb/ft]	314	173	119	92	85	69
Deflection [inch]	0.03	0.07	0.17	0.45	0.96	1.23
Point load [lb]	1029.6	1029.6	1029.6	954.6	765	661
Deflection [inch]	0.03	0.09	0.22	0.44	0.8	0.88

Quicklock Line LT34 box

SPECIFICATIONS

TUBES	50x2mm (2 x 0.08inch)
BRACES	20x2mm (0.8 x 0.08inch)
ALLOY	EN-AW 6082 T6

LOADING TABLES

	2m	4m	6m	8m	10m	12m	14m	16m
Distrib. Load [kg/m]	513	275	206	125	75	53	39	27
Deflection [mm]	1.7	9.3	33.1	63.6	99.8	132.6	180.0	221.1
Point load [kg]	933	867	600	427	360	293	253	227
Deflection [mm]	2.3	11.1	22.5	42.3	75.6	97.3	134.5	182.3
	6.56ft	13.12ft	19.68ft	26.24ft	32.81ft	39.37ft	45.9ft	52.49ft
Distrib. Load [lb/ft]	345	185	138	84	50	36	26	18
Deflection [inch]	0.06	0.37	1.3	2.5	3.93	5.22	7.09	8.7
Point load [lb]	2057	1911	1323	941	794	646	558	500
Deflection [inch]	0.09	0.44	0.89	1.67	2.98	3.83	5.3	7.18

Quicklock Line lighting track **ET31** single

SPECIFICATIONS

TUBES	∅ 50mm (∅ 2inch)
ALLOY	EN-AW 6082 T6

Quicklock Line lighting track **ET32** double

SPECIFICATIONS

TUBES	∅ 50mm (∅ 2inch)
BRACES	20x2mm (0.8 x 0.08inch)
ALLOY	EN-AW 6082 T6

Quicklock Line lighting track **ET33** triangle

SPECIFICATIONS

TUBES	∅ 50mm (∅ 2inch)
BRACES	20x2mm (0.8 x 0.08inch)
ALLOY	EN-AW 6082 T6

Loading tables are valid for static loads and spans with two supporting points. Spans must be supported at each end. Contact structural engineer if there are more supporting points applied or dynamic and wind loads involved. High values of distributed loads are idealized. Loads must be applied to knot points!

SPECS SUMMARY

Bolted Truss FTB-L

SPECIFICATIONS	
TUBES	50x3mm (2 x 0.12inch)
BRACES	25x3mm (1 x 0.12inch)
ALLOY	EN-AW 6082 T6

LOADING TABLES		1.52m	3.05m	4.57m	6.1m	7.6m	9.14m	12.2m
Distrib. Load [kg/m]		1512	605	342	187	116	77	38
Deflection [mm]		0.6	3.6	10.6	18.9	29.6	42.8	77
Point load [kg]		1149	922	782	571	442	353	234
Deflection [mm]		0.5	3.3	9.7	17.3	27.2	39.3	71.1
		5ft	10ft	15ft	20ft	25ft	30ft	40ft
Distrib. Load [lb/ft]		1016	407	230	126	78	52	26
Deflection [inch]		0.02	0.1	0.4	0.7	1.2	1.7	3
Point load [lb]		2534	2033	1724	1259	975	778	516
Deflection [inch]		0.02	0.1	0.4	0.7	1.1	1.5	2.8

Bolted Truss FTB-M

SPECIFICATIONS	
TUBES	50x3mm (2 x 0.12inch)
BRACES	25x3mm (1 x 0.12inch)
ALLOY	EN-AW 6082 T6

LOADING TABLES		1.52m	3.05m	4.57m	6.1m	7.6m	9.14m	12.2m
Distrib. Load [kg/m]		2324	1150	694	382	239	162	84
Deflection [mm]		0.2	2	6.2	11.1	17.3	24.9	44.8
Point load [kg]		2879	2251	1585	1166	912	739	512
Deflection [mm]		0.4	2.4	5.7	10.1	15.9	22.9	41.2
		5ft	10ft	15ft	20ft	25ft	30ft	40ft
Distrib. Load [lb/ft]		1562	773	466	257	161	109	57
Deflection [inch]		0.01	0.1	0.2	0.4	0.7	1	1.8
Point load [lb]		6348	4964	3495	2571	2011	1630	1129
Deflection [inch]		0.02	0.1	0.2	0.4	0.6	0.9	1.6

Bolted Truss FTB-H

SPECIFICATIONS	
TUBES	50x3mm (2 x 0.12inch)
BRACES	25x3mm (1 x 0.12inch)
ALLOY	EN-AW 6082 T6

LOADING TABLES		1.52m	3.05m	4.57m	6.1m	7.6m	9.14m	12.2m
Distrib. Load [kg/m]		1982	980	649	482	382	272	145
Deflection [mm]		0.1	0.8	2.5	6	11.8	17.6	31.5
Point load [kg]		3013	2989	2594	1922	1516	1241	887
Deflection [mm]		0.2	1.4	4	7.2	11.2	16.2	29
		5ft	10ft	15ft	20ft	25ft	30ft	40ft
Distrib. Load [lb/ft]		1332	659	436	324	257	183	97
Deflection [inch]		0.01	0.03	0.1	0.2	0.5	0.7	1.2
Point load [lb]		6644	6591	5720	4238	3343	2736	1956
Deflection [inch]		0.01	0.1	0.2	0.3	0.4	0.6	1.1

Fork Truss GS350

SPECIFICATIONS	
TUBES	48x4.5mm (1.89 x 0.18inch)
BRACES	25x3mm (1 x 0.12inch)
ALLOY	EN-AW 6082 T6

LOADING TABLES		4m	6m	8m	10m	12m	14m	16m
Distrib. Load [kg/m]		995	436	240	150	100	71	52
Deflection [mm]		9.2	20.7	36.8	57.7	83.3	113.9	149.4
Point load [kg]		1991	1308	961	748	603	495	412
Deflection [mm]		8.4	18.9	33.7	52.9	76.5	104.8	137.8
		13.12ft	19.68ft	26.24ft	32.81ft	39.37ft	45.93ft	52.49ft
Distrib. Load [lb/ft]		669	293	161	101	67	48	35
Deflection [inch]		0.4	0.8	1.4	2.3	3.3	4.5	5.9
Point load [lb]		4390	2884	2119	1649	1330	1092	909
Deflection [inch]		0.3	0.7	1.3	2.1	3	4.1	5.4

Fork Truss GS620

SPECIFICATIONS	
TUBES	48x4.5mm (1.89 x 0.18inch)
BRACES	30x3mm (1.2 x 0.12inch)
ALLOY	EN-AW 6082 T6

LOADING TABLES		4m	6m	8m	10m	12m	14m	16m
Distrib. Load [kg/m]		1657	837	464	292	198	142	105
Deflection [mm]		4.2	10.8	19.3	30.2	43.6	59.6	78
Point load [kg]		3802	2510	1856	1458	1188	991	839
Deflection [mm]		4.4	9.9	17.7	27.7	40	54.7	71.8
		13.12ft	19.68ft	26.24ft	32.81ft	39.37ft	45.93ft	52.49ft
Distrib. Load [lb/ft]		1114	563	312	196	133	95	71
Deflection [inch]		0.2	0.4	0.8	1.2	1.7	2.3	3.1
Point load [lb]		8383	5535	4093	3215	2620	2185	1850
Deflection [inch]		0.2	0.4	0.7	1.1	1.6	2.2	2.8

Loading tables are valid for static loads and spans with two supporting points. Spans must be supported at each end. Contact structural engineer if there are more supporting points applied or dynamic and wind loads involved.

Fork Truss GS910

SPECIFICATIONS

TUBES	60x5mm (2.4 x 0.2inch)
BRACES	40x3mm (1.6 x 0.12inch)
ALLOY	EN-AW 6082 T6

LOADING TABLES

	6 m	8 m	10 m	12 m	14 m	16 m	18 m	20 m
Distrib. Load [kg/m]	1241	927	738	544	395	299	232	185
Deflection [mm]	5.1	12	23.5	36.2	49.3	64.5	81.7	101.1
Point load [kg]	6679	4980	3953	3263	2766	2388	2091	1850
Deflection [mm]	8.2	14.7	23	33.1	45.1	59.1	74.9	92.8
	19.68 ft	26.24 ft	32.81 ft	39.37 ft	45.93 ft	52.49 ft	59.1 ft	65.6 ft
Distrib. Load [lb/ft]	834	623	496	366	265	201	156	124
Deflection [inch]	0.2	0.5	0.9	1.4	1.9	2.5	3.2	4
Point load [lb]	14727	10981	8716	7195	6099	5266	4611	4079
Deflection [inch]	0.3	0.6	0.9	1.3	1.8	2.3	2.9	3.7

Pre-Rig Truss PR1

SPECIFICATIONS

TUBES	48x4.5mm (1.89x0.18 inch)
BRACES	25x3 mm (0.98x0.12 inch)
ALLOY	EN-AW 6082 T6

LOADING TABLES LC1 - LOADING OF THE TRUSS

	6 m	8 m	10 m	12 m	14 m	16 m	18 m	20 m
Distrib. Load [kg/m]	589	325	204	137	97	72	54	41
Deflection [mm]	24.9	44.4	69.5	100.4	137.2	179.9	228.7	283.7
Point load [kg]	1766	1302	1018	824	682	573	484	411
Deflection [mm]	20.1	35.9	56.6	82.3	113.3	150.0	192.6	241.8
	19.68 ft	26.24 ft	32.81 ft	39.37 ft	45.93 ft	52.49 ft	59.1 ft	65.6 ft
Distrib. Load [lb/ft]	834	623	496	366	265	201	156	124
Deflection [inch]	0.2	0.5	0.9	1.4	1.9	2.5	3.2	4
Point load [lb]	14727	10981	8716	7195	6099	5266	4611	4079
Deflection [inch]	0.3	0.6	0.9	1.3	1.8	2.3	2.9	3.7

LOADING TABLES LC2 - LOADING AT CENTER TUBE

	6 m	8 m	10 m	12 m	14 m	16 m	18 m	20 m
Distrib. Load [kg/m]	450	325	203	137	97	72	54	41
Deflection [mm]	19.2	44.4	69.5	100.4	137.1	179.8	228.5	283.5
Point load [kg]	420	420	420	420	420	420	420	411
Deflection [mm]	5.2	12.9	26.0	46.6	76.5	118.0	173.5	241.6
	19.68 ft	26.24 ft	32.81 ft	39.37 ft	45.93 ft	52.49 ft	59.1 ft	65.6 ft
Distrib. Load [lb/ft]	302.39	218.39	136.41	92.06	65.18	48.38	36.29	27.55
Deflection [inch]	0.76	1.75	2.74	3.95	5.40	7.08	9.00	11.16
Point load [lb]	925.94	925.94	925.94	925.94	925.94	925.94	925.94	906.10
Deflection [inch]	0.20	0.51	1.02	1.83	3.01	4.65	6.83	9.51

Pre-Rig Truss PR2

SPECIFICATIONS

TUBES	50x4 mm (1.97x0.16 inch)
BRACES	25x3 mm (0.98x0.12 inch)
ALLOY	EN-AW 6082 T6

LOADING TABLES LC1 - LOADING OF THE TRUSS

	6 m	8 m	10 m	12 m	14 m	16 m	18 m	20 m
Distrib. Load [kg/m]	568	319	206	139	99	71	53	39
Deflection [mm]	27.2	49.2	79.1	114.3	155.9	201.1	253.1	305.2
Point load [kg]	1704	1278	1028	834	690	569	475	388
Deflection [mm]	21.9	39.8	64.3	93.6	128.6	167.6	213.2	260.5
	19.68 ft	26.24 ft	32.81 ft	39.37 ft	45.93 ft	52.49 ft	59.1 ft	65.6 ft
Distrib. Load [lb/ft]	381.68	214.36	138.43	93.40	66.52	47.71	35.61	26.21
Deflection [inch]	0.09	0.16	0.26	0.38	0.51	0.66	0.83	1.00
Point load [lb]	3756.68	2817.51	2266.35	1838.66	1521.19	1254.43	1047.20	855.40
Deflection [inch]	0.86	1.57	2.53	3.69	5.06	6.60	8.39	10.26

LOADING TABLES LC2 - LOADING AT CENTER TUBE

	6 m	8 m	10 m	12 m	14 m	16 m	18 m	20 m
Distrib. Load [kg/m]	568	319	206	139	99	71	53	39
Deflection [mm]	27.2	49.2	79.1	114.3	155.9	201.1	253.1	305.2
Point load [kg]	520	520	520	520	520	520	475	388
Deflection [mm]	7.1	17.4	35.0	62.3	101.8	156.1	213.2	260.5
	19.68 ft	26.24 ft	32.81 ft	39.37 ft	45.93 ft	52.49 ft	59.1 ft	65.6 ft
Distrib. Load [lb/ft]	381.68	214.36	138.43	93.40	66.52	47.71	35.61	26.21
Deflection [inch]	0.09	0.16	0.26	0.38	0.51	0.66	0.83	1.00
Point load [lb]	1146.40	1146.40	1146.40	1146.40	1146.40	1146.40	1047.20	855.39
Deflection [inch]	0.28	0.69	1.38	2.45	4.01	6.15	8.39	10.26

Loading tables are valid for static loads and spans with two supporting points.
Spans must be supported at each end.
Contact structural engineer if there are more supporting points applied or dynamic and wind loads involved.



TAF CZECH REPUBLIC

Truss Aluminium Factory a.s.
Hodolany 1226
779 00 Olomouc
Czech Republic
Tel.: +420 730 893 969
E-mail: sales@taf.cz

TAF-UK LTD

8 Fryers Road
Walsall, West Midlands
WS2 7LZ
United Kingdom
Tel: +44 192 2495 396
E-mail: sales@taf-uk.com

TAF USA, LLC

1585 Industrial Dr.
New Smyrna Beach
FL 32168
United States
Call toll free: 1-877-556 1999
E-mail: sales@trussaluminium.com



www.taf.cz